

www.blackanddecker.eu

BXJB1000E

- EN
- FR
- DE
- IT
- ES
- PT
- NL
- PL
- EL
- RU
- RO
- BG



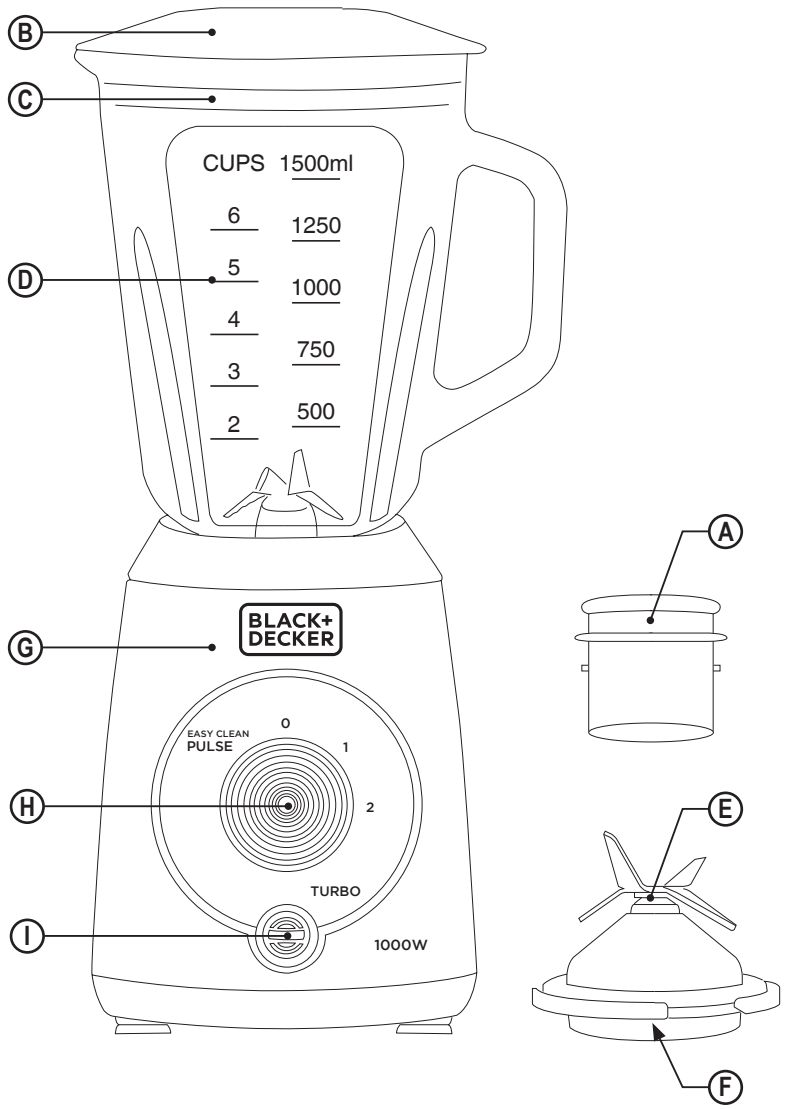


Fig.1

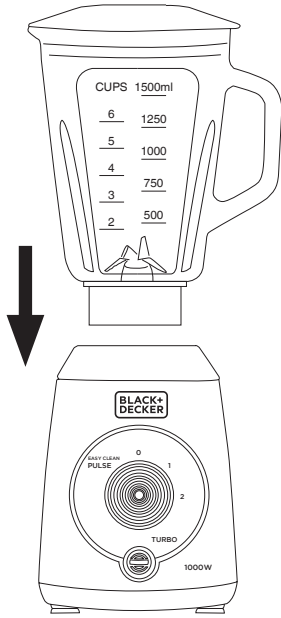


Fig.2

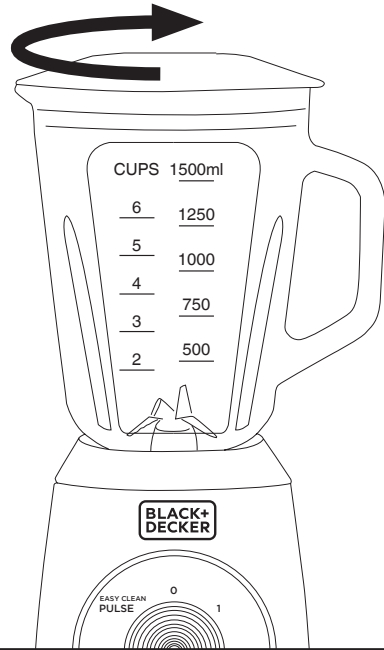


Fig.3

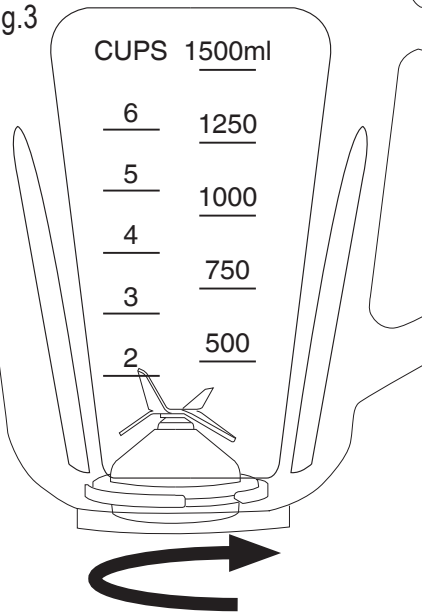
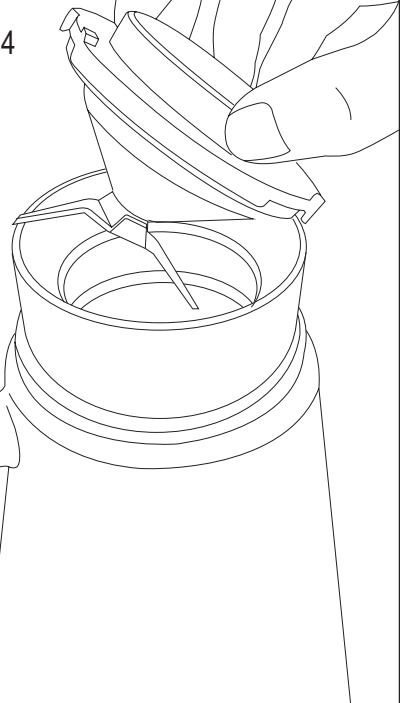


Fig.4



JAR BLENDER BXJB1000E

Dear customer,

Many thanks for choosing to purchase a Black+Decker brand product.

Thanks to its technology, design and operation and the fact that it exceeds the strictest quality standards, a fully satisfactory use and long product life can be assured.

SAFETY ADVICE AND WARNINGS

- ◆ Read these instructions carefully before switching on the appliance and keep them for future reference. Failure to follow and observe these instructions could lead to an accident.
- ◆ Clean all the parts of the product that will be in contact with food, as indicated in the cleaning section, before use.
- ◆ This appliance shall not be used by children. Keep the appliance and its cord out of reach of children.
- ◆ This appliance can be used by people with reduced physical, sensory or mental capabilities or lack of experience and knowledge if they have been given supervision or instruction concerning use of the appliance in a safe way and understand the hazards involved.
- ◆ This appliance is not a toy. Children should be supervised to ensure that they do not play with the appliance.
- ◆ Be careful if hot liquid is poured into the food processor or blender as it can be ejected out of the appliance due to a sudden steaming.
- ◆ Blades are sharp and could cause harm, be careful and avoid direct contact with the blades' cutting edges.
- ◆ Pay special attention when handling the blades, during assembly and disassembly operations, emptying the bowl and during cleaning.
- ◆ Always switch off the appliance and disconnect from supply if it is left unattended and before changing accessories or approaching parts that move in use, assembling, disassembling and cleaning.
- ◆ If the connection to the mains has been damaged, it must be replaced, take the appliance to an authorised technical support service. Do not attempt to disassemble or repair the appliance by yourself in order to avoid a hazard.
- ◆ This appliance is for household use only, not professional, industrial use.
- ◆ Ensure that the voltage indicated on the rating label matches the mains voltage before plugging in the appliance.
- ◆ Connect the appliance to a socket that can supply a minimum of 10 amperes.
- ◆ The appliance's plug must fit into the mains socket properly. Do not alter the plug. Do not use plug adaptors.
- ◆ Keep the working area clean and well lit. Cluttered and dark areas invite accidents.
- ◆ Keep children and bystanders away when using this appliance.
- ◆ The appliance must be used and placed on a flat, stable

surface.

- ♦ Do not use the appliance if the cable or plug is damaged.
- ♦ If any of the appliance casings breaks, immediately disconnect the appliance from the mains to prevent the possibility of an electric shock.
- ♦ Do not use the appliance if it has fallen on the floor, if there are visible signs of damage or if it has a leak.
- ♦ Do not force the power cord. Never use the power cord to lift up, carry or unplug the appliance.
- ♦ Do not wrap the power cord around the appliance.
- ♦ Do not clip or crease the power cord.
- ♦ Check the state of the power cord. Damaged or tangled cables increase the risk of electric shock.
- ♦ The appliance is not suitable for outdoor use.
- ♦ Supply cord should be regularly examined for signs of damage, and if the cord is damaged, the appliance must not be used.
- ♦ Do not use or store the appliance outdoors.
- ♦ - Do not leave the appliance out in the rain or exposed to moisture. If water gets into the appliance, this will increase the risk of electric shock.
- ♦ Do not touch the plug with wet hands.
- ♦ Take the necessary measures to avoid starting the appliance involuntarily.
- ♦ Before using the appliance ensure that the blade is properly fixed in place.
- ♦ Do not touch any of the appliance's moving parts while it is operating.
- ♦ Exercise precaution after employing the stop operation on the appliance as the blade/s will continue moving from the effect of its own mechanical inertia.
- ♦ When using hot liquids do not fill the jug more than half way. At all times, when mixing hot liquids in the jug, select the slowest speed on the speed selector.
- ♦ Do not add hot or boiling foods in the jar to avoid possible burns and, in any case, prevent not fill the jar more than half way. In addition, the sharp temperature contrasts could break the jar.
- ♦ Store this appliance out of reach of children and/or persons with physical, sensory or reduced mental or lack of experience and knowledge.
- ♦ Keep the appliance in a dry, dust-free place, out of direct sunlight.
- ♦ Make sure that dust, dirt or other foreign objects do not block the fan grill on the appliance.
- ♦ Keep the appliance in good condition. Check that the moving parts are not misaligned or jammed and make sure there are no broken parts or anomalies that may prevent the appliance from operating correctly.
- ♦ Use the appliance and its accessories and tools in accordance with these instructions, taking into account the working conditions and the work to be performed. Use the appliance for operations different from those intended could result in a hazardous situation.
- ♦ Never use boiling liquids.
- ♦ Check that the lid is closed properly before starting the appliance.
- ♦ Never leave the appliance unattended while in use.
- ♦ Always hold the edge of the lid while operating the blender.
- ♦ Never leave the appliance connected and unattended if is not in use. This saves energy and prolongs the life of the appliance.
- ♦ Do not use the appliance for more than 2 minutes at a time. In case of operate in cycles; allow the appliance a resting period of at least 1 minute between each cycle. Under no circumstances should the appliance be operated for more time than necessary
- ♦ Do not blend dry, thick or heavy mixtures for more than 10 seconds continuously. Let the appliance cool down to room temperature before continue operating the appliance again.
- ♦ Do not use the appliance with frozen goods or those containing bones.
- ♦ After every max operation period, please let the appliance cool down to room temperature before continue operating the appliance again.
- ♦ CAUTION: Do not use the appliance if the glass is cracked or broken.

Use and care:

- ♦ Fully unroll the appliance's power cable before each use.
- ♦ Do not use the appliance if its accessories are not properly fitted.
- ♦ Do not use the appliance if the accessories attached to it are defective. Replace them immediately.
- ♦ Do not use the appliance while the jug is empty.
- ♦ Do not use the appliance if the on/off switch does not work.
- ♦ Do not move the appliance while in use.
- ♦ Use the appliance handle/s, to catch it or move it.
- ♦ Do not use the appliance if it is tipped up and do not turn it over.
- ♦ Do not turn the appliance over while it is in use or connected to the mains.
- ♦ Do not force the appliance's work capacity.
- ♦ Respect the MAX level indicator. (1500 ml).

Service:

- ♦ Make sure that the appliance is serviced only by specialist personnel, and that only original spare parts or accessories are used to replace existing parts/accessories.
- ♦ Any misuse or failure to follow the instructions for use renders the guarantee and the manufacturer's liability null and void.

Description

- A Measuring cup
- B Jar lid
- C Sealing jar ring
- D Jar
- E Blade set
- F Blade fixing ring
- G Motor body
- H Speed selector
- I Turbo / Ice crush function

If the model of your appliance does not have the accessories described above, they can also be bought separately from the Technical Assistance Service.

Instructions for use**Before use:**

- ♦ Make sure that all products' packaging has been removed.
- ♦ Before using the product for the first time, clean the parts that will come into contact with food in the manner described in the cleaning section.

Use:

- ♦ Unroll the cable completely before plugging it in.
- ♦ Ensure the blade set is fixed properly to the jar (by turning counter clockwise) before putting on the motor body. (Fig.1).
- ♦ Place the jar onto to the motor body until it fits properly into place.
- ♦ Put the ingredients, after having first chopped them into small piece, into the jar with liquid (do not exceed the maximum marker).
- ♦ Put the lid on the jar; make sure it is properly fixed in place.
- ♦ Put the measuring cup in the lid.
- ♦ Connect the appliance to the mains.
- ♦ Turn the appliance on, by using the selection knob.
- ♦ Choose desired speed and start blending.
- ♦ If you wish to add more ingredients pull out the measuring cup.

- ♦ Add the ingredients and replace the measuring cup.
- ♦ To stop the appliance set the speed back to "0".
- ♦ To avoid a fierce start up of the fan, it is advisable to start off from the lowest speed position and, once the fan has been switched on, progressively increase the speed to the desired position.

Electronic speed control:

- ♦ The speed of the appliance can be regulated by using the speed regulator control. This function is very useful, as it makes it possible to adapt the speed of the appliance to the type of work that needs to be done.

Once you have finished using the appliance:

- ♦ Unplug the appliance from the mains.
- ♦ Lift the jar from the motor body.
- ♦ Clean the appliance.

"Pulse / Ice crush" Function

- ♦ The appliance works in highest speed to achieve optimal performance.
- ♦ Press this button to operate and release the button when you wish to stop operating.
- ♦ This function gives optimal result for ice-crushing, up to desired snowy level.
- ♦ We recommend working by pressing the button in cycles of 2 seconds and repeating the operation until you obtain the desired result.
- ♦ To crush ice cubes, put no more than 4 ice cubes at one time. If you wish to add more ice, pull out the measuring cup and insert the ice cubes consecutively.

Once you have finished using the mill unit:

- ♦ Select the "0" position at the speed selector.
- ♦ Unplug the appliance to the mains.
- ♦ Lift the mill unit from the motor body.
- ♦ Turn the lid counter clockwise to open it.
- ♦ Clean the appliance.

Cleaning

- ♦ Disconnect the appliance from the mains and allow it to cool before undertaking any cleaning task.
- ♦ Clean the equipment with a damp cloth with a few drops of washing-up liquid and then dry.
- ♦ Do not use solvents, or products with an acid or base pH such as bleach, or abrasive products, for cleaning the

appliance.

- ◆ Do not let water or any other liquid get into the air vents to avoid damage to the inner parts of the appliance.
- ◆ Never submerge the appliance in water or any other liquid or place it under running water.
- ◆ During the cleaning process, take special care with the blades, as they are very sharp.
- ◆ If the appliance is not in good condition of cleanliness, its surface may degrade and inexorably affect the duration of the appliance's useful life and could become unsafe to use.
- ◆ The following pieces may be washed in a dishwasher (using a soft cleaning program):
 - Jug.
 - Measuring cup
- ◆ Do not place the lid into a dishwasher or boiling water, the lid may deform.
- ◆ Then dry all parts before its assembly and storage.

EASY-CLEAN function:

- ◆ Put water and a small amount of washing up liquid in the jar.
- ◆ Select the function "EASY CLEAN" by pressing the button in cycles of 4 seconds and repeating the operation if necessary.

Removable Blades for Effective Cleaning:

- ◆ Loosen the blade fixing ring by turning it in clockwise direction. (Fig.3).
- ◆ Remove the blade set and sealing ring and clean them. (Fig.4).
- ◆ After cleaning, replace the blade set and turn blade fixing ring in opposite direction.

Anomalies and repair

- ◆ Take the appliance to an authorised technical support service if product is damaged or other problems arise. Do not attempt to disassemble or repair the appliance yourself as this may be dangerous.

WARRANTY AND TECHNICAL ASSISTANCE

- ◆ This product enjoys the recognition and protection of the legal guarantee in accordance with current legislation. To enforce your rights or interests you must go to any of our official technical assistance services.
- ◆ You can find the closest one by accessing the following web link: <http://www.2helpu.com/>.
- ◆ You can also request related information, by contacting

us (see the last page of the manual).

- ◆ You can download this instruction manual and its updates at <http://www.2helpu.com/>.

For EU product versions and/or in case that it is requested in your country:

Ecology and recyclability of the product

- ◆ The materials of which the packaging of this appliance consists are included in a collection, classification and recycling system. Should you wish to dispose of them, use the appropriate public recycling bins for each type of material.
- ◆ The product does not contain concentrations of substances that could be considered harmful to the environment.



This symbol means that in case you wish to dispose of the product once its working life has ended; take it to an authorised waste agent for the selective collection of Waste from Electric and Electronic Equipment (WEEE).

This appliance complies with Directive 2014/35/EU on Low Voltage, Directive 2014/30/EU on Electromagnetic Compatibility, Directive 2011/65/EU on the restrictions of the use of certain hazardous substances in electrical and electronic equipment and Directive 2009/125/EC on the ecodesign requirements for energy-related products.

ROBOT CULINAIRE BXJB1000E

Cher Client,

Nous vous remercions d'avoir acheté un produit Black+Decker.

Sa technologie, son design et sa fonctionnalité, outre sa parfaite conformité aux normes de qualité les plus strictes, vous permettront d'en tirer une longue et durable satisfaction.

CONSEILS ET MESURES DE SÉCURITÉ

- ◆ Lire attentivement cette notice d'instructions avant de mettre l'appareil en marche, et la conserver pour la consulter ultérieurement. Le non-respect de ces instructions peut être source d'accident.
- ◆ Avant la première utilisation, laver les parties en contact avec les aliments comme indiqué à la section nettoyage.
- ◆ Cet appareil n'est pas prévu pour être utilisé par des enfants. Tenir l'appareil et sa fiche hors de portée des enfants.
- ◆ Cet appareil peut être utilisé par des personnes dont les capacités physiques, sensorielles ou mentales sont réduites ou des personnes dénuées d'expérience concernant son utilisation, et ce, sous surveillance ou après avoir reçu les instructions pour un maniement sûr de l'appareil et ayant compris les risques possibles.
- ◆ Cet appareil n'est pas un jouet. Les enfants doivent être surveillés pour s'assurer qu'ils ne jouent pas avec l'appareil.
- ◆ Faire attention en versant des liquides chauds dans le robot culinaire ou dans le mixeur, car ils pourraient être expulsés suite à une libération soudaine de vapeur.
- ◆ Les lames sont aiguisées et vous pourriez vous blesser. Agissez avec précaution en évitant tout contact direct avec son tranchant.
- ◆ Il faudra être particulièrement attentif lorsque vous manipulerez les lames lors du montage / démontage, au moment de vider le bol et durant le nettoyage.
- ◆ Arrêter et débrancher l'appareil du réseau électrique si vous ne l'utilisez pas et avant toute opération de nettoyage, d'ajustage, recharge ou changement d'accessoires
- ◆ Si la prise du secteur est abîmée, elle doit être remplacée, l'emmener à un Service d'Assistance Technique agréé. Ne pas tenter de procéder aux réparations ou de démonter l'appareil car cela implique des risques.
- ◆ Cet appareil est uniquement destiné à un usage domestique et non professionnel ou industriel.

- ♦ Avant de raccorder l'appareil au secteur, s'assurer que le voltage indiqué sur la plaque signalétique correspond à celui du secteur.
- ♦ Raccorder l'appareil à une prise pourvue d'une fiche de terre et supportant au moins 10 ampères.
- ♦ La prise de courant de l'appareil doit coïncider avec la base de la prise de courant. Ne jamais modifier la prise de courant. Ne pas utiliser d'adaptateur de prise de courant.
- ♦ L'appareil doit être utilisé et placé sur une surface plane et stable.
- ♦ Ne pas utiliser l'appareil si son câble électrique ou sa prise est endommagé.
- ♦ Si une des enveloppes protectrices de l'appareil se rompt, débrancher immédiatement l'appareil du secteur pour éviter tout choc électrique.
- ♦ Ne pas utiliser l'appareil s'il est tombé, ou en présence de signes visibles de dommages ou en cas de fuite.
- ♦ Ne pas forcer le câble électrique de connexion. Ne jamais utiliser le câble électrique pour lever, transporter ou débrancher l'appareil.
- ♦ Éviter que le câble électrique de connexion ne se coince ou ne s'emmêle.
- ♦ Ne pas exposer l'appareil aux intempéries.
- ♦ Ne pas toucher la prise de raccordement avec les mains mouillées.
- ♦ Prendre les précautions nécessaires pour éviter de mettre en marche involontairement l'appareil.
- ♦ Avant d'utiliser l'appareil, s'assurer que les lames sont correctement fixées à l'appareil.
- ♦ Ne pas toucher les parties mobiles de l'appareil en marche.
- ♦ Lorsque vous arrêtez l'appareil, faire très attention, puisque l'outil continuera à tourner par inertie mécanique.

Utilisation et entretien :

- ♦ Avant chaque utilisation, dérouler complètement le câble d'alimentation de l'appareil.
- ♦ Ne pas utiliser l'appareil si ses accessoires ne sont pas dûment accouplés.
- ♦ Ne pas utiliser l'appareil si les accessoires qui lui sont assemblés présentent des défauts. Le cas échéant, les remplacer immédiatement.
- ♦ Ne pas utiliser l'appareil avec le récipient vide.
- ♦ Ne pas utiliser l'appareil si son dispositif de mise en marche/arrêt ne fonctionne pas.
- ♦ Ne pas faire bouger l'appareil durant son fonctionnement
- ♦ Ne pas utiliser l'appareil alors qu'il est incliné, ni le retourner.
- ♦ Ne pas forcer la capacité de travail de l'appareil.
- ♦ Respecter le niveau MAX (1500 ml).
- ♦ Ne pas ajouter d'aliments à très haute température ou bouillants dans le récipient afin d'éviter les brûlures et faire attention, dans tous les cas, de ne pas dépasser la moitié de la capacité du récipient. De plus, les brusques contrastes de température pourraient impliquer la rupture du récipient.
- ♦ Conserver cet appareil hors de portée des enfants ou des personnes avec capacités physiques, sensorielles ou mentales réduites ou présentant un manque d'expérience et de connaissances
- ♦ Maintenir l'appareil en bon état. Vérifier que les parties mobiles ne sont pas désalignées ou entravées, qu'il n'y a pas de pièces cassées ou d'autres conditions qui pourraient affecter le bon fonctionnement de l'appareil.
- ♦ Utiliser cet appareil, ses accessoires et outils conformément au mode d'emploi, en tenant compte des conditions de travail et du travail à réaliser. L'utilisation de l'appareil pour des opérations autres que celles pour lesquelles il a été conçu pourrait impliquer des situations dangereuses.
- ♦ N'utilisez jamais des liquides en ébullition.
- ♦ Vérifier que le couvercle est parfaitement fermé avant de mettre en marche l'appareil.
- ♦ Toujours utiliser l'appareil sous surveillance.
- ♦ Toujours fixer le bord du couvercle durant l'utilisation de l'appareil.
- ♦ Ne jamais laisser l'appareil branché et sans surveillance. Ceci permettra également de réduire sa consommation d'énergie et de prolonger sa durée de vie.
- ♦ Ne pas utiliser l'appareil plus de 2 minutes consécutives. En cas de fonctionnement cyclique, toujours observer des périodes de repos de minimum 1 minute entre chaque cycle. Veiller à n'utiliser l'appareil que le temps strictement nécessaire.
- ♦
- ♦ Ne pas utiliser de mélanges secs, épais ou durs pendant plus de 10 secondes. Laisser l'appareil refroidir à la température ambiante avant de l'utiliser à nouveau.
- ♦ Ne pas utiliser l'appareil avec des aliments surgelés ou des os.
- ♦ Après chaque utilisation, laisser l'appareil refroidir à température ambiante avant de l'utiliser à nouveau.
- ♦ **AVERTISSEMENT** : Ne pas utiliser l'appareil si le verre est brisé ou cassé.

Entretien :

- ♦ Toute utilisation inappropriée ou non conforme aux instructions d'utilisation annule la garantie et la responsabilité du fabricant.

Description

- A Tasse à mesurer
- B Couvercle
- E Joints d'étanchéité du couvercle
- D Pichet
- E Ensemble de couteaux broyeur
- F Anneau de fixation des couteaux broyeur
- G Corps moteur
- H Sélecteur de vitesse
- I Option de «Turbo» / Pic à glace

Dans le cas où votre modèle ne disposerait pas des accessoires décrits antérieurement, ceux-ci peuvent s'acquérir séparément auprès des services d'assistance technique.

Mode d'emploi**Remarques avant utilisation:**

- ♦ Assurez-vous que vous avez retiré tout le matériel d'emballage du produit.
- ♦ Avant la première utilisation, laver les parties en contact avec les aliments comme indiqué à la section de nettoyage.

Utilisation :

- ♦ Dérouler complètement le câble avant de le brancher.
- ♦ Vérifier que les lames sont correctement fixées au récipient (en le tournant vers la gauche) avant de le placer dans le corps à moteur. (Fig.1).
- ♦ Placer le récipient sur le bloc moteur en s'assurant qu'il reste bien en place.
- ♦ Introduire les ingrédients après les avoir coupés en morceaux dans le pichet contenant du liquide (ne pas dépasser la marque du niveau maximum).
- ♦ Recouvrir le pichet avec le couvercle et s'assurer qu'il est bien ajusté.
- ♦ Placer le verre doseur dans le couvercle.
- ♦ Brancher l'appareil au secteur.
- ♦ Mettre en marche l'appareil, en appuyant sur la commande.
- ♦ Sélectionnez la vitesse de votre choix et commencez à mixer.
- ♦ Si vous souhaitez introduire davantage d'ingrédients, retirer le verre doseur.

- ♦ Ajouter les ingrédients et replacer le verre.
- ♦ Pour arrêter l'appareil, sélectionner la position "0".
- ♦ Pour éviter un démarrage trop brusque, nous recommandons de démarrer l'appareil à la puissance minimum, et de l'augmenter au fur et à mesure,

Réglage électronique de la vitesse :

- ♦ On peut maîtriser la vitesse de l'appareil, en agissant simplement sur la commande de contrôle de puissance. Cette fonction est très utile puisqu'elle permet d'adapter la vitesse de l'appareil au type de travail que vous voulez réaliser.

Après utilisation de l'appareil :

- ♦ Débrancher l'appareil du secteur.
- ♦ Détachez le récipient de la base.
- ♦ Nettoyer l'appareil.

Option de «Turbo» / Pic à glace

- ♦ L'appareil fonctionne à pleine capacité pour assurer un rendement optimal.
- ♦ Appuyez sur cette touche pour mettre la fonction en marche et relâchez la touche lorsque vous voulez l'arrêter.
- ♦ Cette option permet d'obtenir des résultats optimaux pour broyer la glace jusqu'à la consistance désirée.
- ♦ Il est recommandé de laisser fonctionner le cycle de pulsation pendant 2 secondes à la fois et de répéter l'opération jusqu'à l'obtention du résultat désiré.
- ♦ Pour piler de la glace, ne pas introduire plus de 4 glaçons chaque fois. Si vous souhaitez ajouter des glaçons, retirez le bol doseur et introduisez, un à un, les glaçons.

AD3503 moulin :

- ♦ Ouvrir le couvercle en le tournant vers la gauche.
- ♦ Mettre les ingrédients dans le moulin (ingrédients secs uniquement). Ne pas dépasser la capacité maximum du récipient.
- ♦ Fermer le couvercle en le tournant vers la droite jusqu'à ce qu'il s'enclenche. (Fig.2).
- ♦ Brancher l'appareil au secteur.
- ♦ Sélectionner la vitesse désirée de broyage.
- ♦ Pour arrêter l'appareil, sélectionner la position "0".

Nettoyage

- ♦ Débrancher l'appareil du secteur et attendre son refroidissement complet avant de le nettoyer.
- ♦ Nettoyer l'appareil avec un chiffon humide imprégné de

quelques gouttes de détergent et le laisser sécher.

- ♦ Ne pas utiliser de solvants ni de produits au pH acide ou basique tels que l'eau de Javel, ni de produits abrasifs pour nettoyer l'appareil.
- ♦ Ne pas laisser pénétrer de l'eau ni aucun autre liquide par les ouvertures de ventilation afin d'éviter d'endommager les parties intérieures de l'appareil.
- ♦ Ne pas immerger l'appareil dans l'eau ou tout autre liquide, ni le passer sous un robinet.
- ♦ Durant le processus de nettoyage, faire attention en particulier aux lames, celles-ci sont très coupantes.
- ♦ Si l'appareil n'est pas maintenu dans un bon état de propreté, sa surface peut se dégrader et affecter de façon inexorable la durée de vie de l'appareil et le rendre dangereux.
- ♦ Les pièces ci-dessous peuvent se laver à l'eau chaude savonneuse ou au lave-vaisselle (en mode délicat) :
 - Pichet.
 - Verre doseur.
- ♦ Ne pas mettre le couvercle au lave-vaisselle ou dans l'eau bouillante. Le couvercle pourrait se déformer.
- ♦ Avant son montage et stockage, veiller à bien sécher toute les pièces.

Fonction EASY CLEAN :

- ♦ Versez de l'eau et une petite quantité de détergent dans le récipient servant au mixage.
- ♦ Sélectionnez l'option "EASY CLEAN" en actionnant le bouton par cycles de 4 secondes et répéter l'opération si nécessaire.

Couteaux éjectables pour faciliter le nettoyage:

- ♦ Desserrer le groupe lames en le tournant vers la droite. (Fig.3).
- ♦ Retirer les lames et le joint pour les nettoyer. (Fig.4).
- ♦ Après avoir nettoyé l'appareil, remplacez le couteau et faites tourner l'anneau de fixation dans le sens contraire.

Anomalies et réparation

- ♦ En cas de panne, remettre l'appareil à un service d'assistance technique autorisé. Ne pas tenter de procéder aux réparations ou de démonter l'appareil car cela implique des risques.

GARANTIE ET ASSISTANCE TECHNIQUE

- ♦ Ce produit est reconnu et protégé par la garantie établie conformément à la législation en vigueur. Pour faire

valoir vos droits ou intérêts, vous devrez vous adresser à l'un de nos services d'assistance technique agréés.

- ♦ Pour savoir lequel est le plus proche, vous pouvez accéder au lien suivant: <http://www.2helpu.com/>.
- ♦ Vous pouvez aussi nous contacter pour toute information (veuillez consulter la dernière page du manuel).
- ♦ Vous pouvez télécharger ce manuel d'instructions et ses mises à jour sur <http://www.2helpu.com/>.

Pour les version EU du produit et/ou si cela est applicable dans votre pays

Écologie et recyclage du produit

- ♦ Les matériaux dont l'emballage de cet appareil est constitué intègrent un programme de collecte, de classification et de recyclage. Si vous souhaitez vous défaire du produit, merci de bien vouloir utiliser les conteneurs publics appropriés à chaque type de matériau.
- ♦ Le produit ne contient pas de substances concentrées susceptibles d'être considérées comme nuisibles à l'environnement.



Ce symbole signifie que si vous souhaitez vous débarrasser de l'appareil, en fin de vie utile, celui-ci devra être consigné, en prenant les mesures adaptées, à un centre agréé de collecte sélective des déchets d'équipements électriques et électroniques (DEEE).

Cet appareil est certifié conforme à la directive 2014/35/UE de basse tension, de même qu'à la directive 2014/30/UE en matière de compatibilité électromagnétique, à la directive 2011/65/UE relative à la limitation de l'utilisation de certaines substances dangereuses dans les équipements électriques et électroniques et à la directive 2009/125/CE sur les conditions de conception écologique applicable aux produits en rapport avec l'énergie.

MIXER BXJB1000E

Sehr geehrte Kundin,

Wir danken Ihnen, dass Sie sich für den Kauf der Marke Black+Decker entschieden haben.

Die Technologie, das Design und die Funktionalität dieses Produkts, das die anspruchsvollsten Qualitätsnormen erfüllt, werden Sie über viele Jahre zufriedenstellen.

RATSchLÄGE UND SICHERHEITSHINWEISE

- ◆ Lesen Sie die Gebrauchsanweisung sorgfältig, bevor Sie das Gerät einschalten und bewahren Sie diese zum Nachschlagen zu einem späteren Zeitpunkt auf. Werden die Hinweise dieser Bedienungsanleitung nicht beachtet und eingehalten, kann es zu Unfällen kommen.
- ◆ Vor der Erstanwendung müssen die Einzelteile, die mit Nahrungsmitteln in Kontakt geraten, so wie im Absatz Reinigung beschrieben, gereinigt werden.
- ◆ Kinder dürfen dieses Gerät nicht benutzen. Das Gerät und seinen Netzanschluss stets außerhalb der Reichweite von Kindern halten.
- ◆ Dieses Gerät ist nicht geeignet für die Verwendung durch Personen mit eingeschränkter Wahrnehmung oder verminderten physischen oder geistigen Fähigkeiten oder einem Mangel an Erfahrung und Kenntnissen, sofern sie nicht durch eine für ihre Sicherheit verantwortliche Person beaufsichtigt oder bei der Bedienung angeleitet werden und die möglichen Gefahren verstehen.
- ◆ Dieses Gerät ist kein Spielzeug. Kinder müssen beaufsichtigt werden, damit sie nicht mit dem Gerät spielen.
- ◆ Seien Sie vorsichtig, wenn Sie heiße Flüssigkeiten in die Küchenmaschine oder Mixer gießen, da diese eine plötzliche Freisetzung von Dampf zu verursachen können.
- ◆ Die Messer sind sehr scharf und können Verletzungen verursachen. Gehen Sie vorsichtig mit ihnen um und vermeiden Sie den direkten Kontakt mit ihren Schneiden.
- ◆ Seien Sie besonders vorsichtig beim Handhaben der Messer beim Einsetzen und Abnehmen von Bauteilen, Leeren der Schüssel und bei der Reinigung.
- ◆ Schalten Sie das Gerät aus und ziehen Sie den Stecker aus dem Netz, wenn Sie das Gerät unbeaufsichtigt lassen oder Zubehör oder bewegliche Teile auswechseln wollen, sowie vor der Montage, Demontage und der Reinigung.
- ◆ Wenn der Netzstecker beschädigt ist, muss er ausgetauscht werden. Bringen Sie das Gerät zu diesem Zweck zu einem zugelassenen Kundendienst. Um jegliche Gefahr auszuschließen, versuchen Sie nicht selbst, den Stecker abzumontieren

und zu reparieren.

♦ **Dieses Gerät ist ausschließlich für den häuslichen Gebrauch ausgelegt und ist für professionelle oder gewerbliche Zwecke nicht geeignet.**

- ♦ Vergewissern Sie sich, dass die Spannung auf dem Typenschild mit der Netzspannung übereinstimmt, bevor Sie den Apparat an das Stromnetz anschließen.
- ♦ Das Gerät an ein Stromnetz mit mindestens 10 Ampere anschließen.
- ♦ Der Stecker des Geräts muss mit dem Steckdosentyp des Stromanschlusses übereinstimmen. Der Gerätestecker darf unter keinen Umständen modifiziert werden. Keine Adapter für den Stecker verwenden.
- ♦ Das Gerät muss auf einer ebenen und standfesten Oberfläche aufgestellt und benutzt werden.
- ♦ Das Gerät darf nicht mit beschädigtem elektrischem Kabel oder Stecker verwendet werden.
- ♦ Sollte ein Teil der Geräteverkleidung beschädigt sein, ist die Stromzufuhr umgehend zu unterbrechen, um einen möglichen elektrischen Schlag zu vermeiden.
- ♦ Das Gerät nicht benutzen, wenn es heruntergefallen ist, sichtbare Schäden aufweist oder undicht ist.
- ♦ Nicht mit Gewalt am elektrischen Anschlusskabel ziehen. Benutzen Sie das elektrische Kabel nicht zum Anheben oder Transportieren des Geräts. Den Stecker nicht am Kabel aus der Dose ziehen.
- ♦ Achten Sie darauf, dass das elektrische Kabel nicht getreten oder zerknittert wird.
- ♦ Das Gerät nicht im Freien benutzen oder aufbewahren.
- ♦ Berühren Sie den Stecker nicht mit feuchten Händen.
- ♦ Treffen Sie die erforderlichen Maßnahmen, um ein unbeabsichtigtes Inbetriebsetzen des Geräts zu verhindern.
- ♦ Vor dem Gebrauch überprüfen, ob die Messer gut am Gerät befestigt sind.
- ♦ Bewegliche Teile des Geräts während dem Betrieb nicht berühren.
- ♦ Seien Sie nach dem Ausschalten des Gerätes vorsichtig und beachten Sie die durch die mechanische Trägheit verursachte Nachlaufzeit der/des Messers.

Benutzung und Pflege:

- ♦ Vor jedem Gebrauch des Geräts das Stromkabel vollständig abwickeln.
- ♦ Gerät nicht benutzen, wenn Zubehör oder Ersatzteile nicht richtig befestigt sind.

- ♦ Gerät nicht benutzen, wenn die Zubehörteile mangelhaft sind. Ersetzen Sie diese sofort.
- ♦ Benützen Sie das Gerät nicht mit leerem Gefäß.
- ♦ Benützen Sie das Gerät nicht, wenn der An-/Ausschalter nicht funktioniert.
- ♦ Das Gerät nicht bewegen, während es in Betrieb ist.
- ♦ Verwenden Sie das Gerät nicht im gekippten oder umgedrehten Zustand.
- ♦ Betriebskapazität des Geräts nicht überbeanspruchen.
- ♦ Bitte beachten Sie die MAX-Füllmenge (1500 ml).
- ♦ Um eventuelle Verbrennungen zu vermeiden, geben Sie bitte keine sehr heißen oder kochenden Lebensmittel in den Behälter und vermeiden Sie es, den Behälter mehr als bis zur Hälfte seines Fassungsvermögens zu füllen. Außerdem können abrupte Temperaturunterschiede zum Bruch des Behälters führen.
- ♦ Das Gerät außerhalb der Reichweite von Kindern und/oder Personen mit eingeschränkten körperlichen, sensorischen oder geistigen Fähigkeiten bzw. Personen ohne ausreichende Erfahrung und Kenntnisse aufbewahren.
- ♦ Halten Sie das Gerät in gutem Zustand. Stellen Sie sicher, dass die beweglichen Teile ausgerichtet und nicht verklemmt sind, und dass keine beschädigten Teile oder andere Bedingungen vorliegen, die den Betrieb des Geräts behindern können.
- ♦ Verwenden Sie dieses Gerät, seine Zubehörteile und seine Werkzeuge gemäß diesen Anleitungen und unter Berücksichtigung der Arbeitsbedingungen und der zu verrichtenden Arbeit. Der Gebrauch des Gerätes für andere als die vorgesehenen Zwecke kann gefährlich sein.
- ♦ Niemals kochende Flüssigkeiten verwenden.
- ♦ Überprüfen Sie vor Inbetriebnahme des Geräts, ob der Deckel vollständig geschlossen ist.
- ♦ Das Gerät darf nicht unbeaufsichtigt gelassen werden, während es ans Netz geschlossen ist.
- ♦ Halten Sie den Deckel während des Betriebs des Geräts immer im Rand fest.
- ♦ Das Gerät nie am Stromnetz angeschlossen und ohne Aufsicht lassen. Sie sparen dadurch Energie und verlängern die Gebrauchsdauer des Gerätes.
- ♦ Verwenden Sie das Gerät nicht länger als 2 Minuten am Stück. Wenn Sie in Zyklen arbeiten, beachten Sie immer eine Ruhezeit von mindestens 1 Minuten zwischen den Zyklen. Das Gerät sollte auf jeden Fall nicht länger als erforderlich in Betrieb sein.
- ♦ Trockene, grobe oder harte Mischungen nicht länger als 10 Sekunden am Stück verarbeiten. Lassen Sie das Gerät dann auf Umgebungstemperatur abkühlen, bevor Sie es erneut einschalten.
- ♦ Verwenden Sie das Gerät nicht mit tiefgefrorenen

Lebensmitteln oder Knochen.

- ♦ Nach jeder maximalen Gebrauchszeit lassen Sie das Gerät bitte auf Umgebungstemperatur abkühlen, bevor Sie es erneut benutzen.
- ♦ **WARNUNG:** Das Gerät nicht benutzen, wenn das Glas Risse aufweist oder zerbrochen ist.

Betrieb:

- ♦ Unsachgemäße Verwendung bzw. Nichteinhaltung der Gebrauchsanweisung kann Gefahren zur Folge haben und führt zum Erlöschen der Garantiesprüche sowie der Haftung des Herstellers.

Bezeichnung

- A Dosiergefäß
- B Deckel
- C Dichtung Deckel
- D Kanne
- E Messerset
- F Befestigungsring Messereinheit
- G Motorblock
- H Geschwindigkeitswahlschalter
- I "Turbo"-Funktion / Eiswürfelzerkleinerer

Wenn Sie meinen, dass das Gerät nicht mit dem oben angeführten Zubehör ausgestattet ist, können Sie die Teile auch einzeln beim Technischen Kundendienst erwerben.

Benutzungshinweise

Vor der Benutzung:

- ♦ Vergewissern Sie sich, dass Sie das gesamte Verpackungsmaterial des Produkts entfernt haben.
- ♦ Vor der Erstanwendung müssen die Einzelteile, die mit Nahrungsmitteln in Kontakt geraten, so wie im Absatz Reinigung beschrieben, gereinigt werden.

Benutzung:

- ♦ Vor Anschluss das Kabel völlig ausrollen.
- ♦ Vergewissern Sie sich, dass die Messereinheit fest in dem Behälter sitzt (drehen Sie sie gegen den Uhrzeigersinn), bevor Sie diesen auf den Motorblock setzen. (Fig.1).
- ♦ Setzen Sie den Behälter auf den Motorblock und achten Sie darauf, dass er fest sitzt.
- ♦ Füllen Sie die bereits zerkleinerten Zutaten und die Flüssigkeit in den Krug (achten Sie dabei auf die Maximalniveau-Anzeige).
- ♦ Decken Sie den Krug ab und überprüfen Sie, ob er gut angebracht ist.

- ♦ Stellen Sie den Dosierbecher auf die Abdeckung.
- ♦ Schließen Sie das Gerät an das Stromnetz an.
- ♦ Durch Betätigen des Schalters das Gerät in Betrieb setzen.
- ♦ Stellen Sie die gewünschte Geschwindigkeit ein und beginnen Sie mit dem Mixvorgang.
- ♦ Wenn Sie mehr Zutaten zugeben möchten, nehmen Sie den Dosierbecher ab.
- ♦ Zutaten zugeben und den Becher wieder aufstellen.
- ♦ Zum Abstellen, den Wahlschalter auf Position "0" stellen.
- ♦ Um einen zu abrupten Start zu vermeiden, empfehlen wir zu Anfang den Leistungsschalter auf seine Mindestposition zu stellen und die Geschwindigkeit dann nach dem Start des Geräts schrittweise zu erhöhen.

Elektronische Geschwindigkeitskontrolle:

- ♦ Die Geschwindigkeit des Geräts lässt sich einfach mit dem Geschwindigkeitsschalter regeln. Diese Funktion ist äußerst nützlich, da die Geschwindigkeit an die entsprechende Arbeit angepasst werden kann.

Nach der Benutzung des Geräts:

- ♦ Den Stecker aus der Netzdose ziehen.
- ♦ Nehmen Sie den Behälter vom Motorblock.
- ♦ Reinigen Sie das Gerät.

Funktion „Pulse / Eiswürfelzerkleinerer“

- ♦ Das Gerät arbeitet mit maximaler Drehzahl, um optimale Leistung zu erzielen.
- ♦ Betätigen Sie diese Taste, um die Funktion zu starten und lassen Sie sie los, wenn Sie die Funktion stoppen wollen.
- ♦ Mit dieser Funktion werden optimale Ergebnisse beim Zerkleinern von Eiswürfeln auf die gewünschte Größe erzielt.
- ♦ Es ist empfehlenswert, die Taste in 2-Sekunden-Zyklen zu betätigen und die Operation zu wiederholen, bis das gewünschte Resultat erzielt ist.
- ♦ Für die Zerkleinerung von Eis sollten Sie nicht mehr als 4 Eiswürfel gleichzeitig verwenden. Wenn Sie mehr Eis hinzufügen möchten, entfernen Sie das Dosiergefäß und geben Sie dann die Eiswürfel einzeln hinein.

AD3503 Mühle:

- ♦ Drehen Sie den Deckel gegen den Uhrzeigersinn, um ihn zu öffnen.
- ♦ Geben Sie die Zutaten in die Mühle (nur trockene

Zutaten). Dabei darf das maximale Fassungsvermögen des Bechers nicht überschritten werden.

- ♦ Schließen Sie den Deckel, indem Sie ihn im Uhrzeigersinn drehen, bis er fest sitzt. (Fig.2).
- ♦ Schließen Sie das Gerät an das Stromnetz an.
- ♦ Wählen Sie die gewünschte Geschwindigkeit zum Mahlen der Zutaten.
- ♦ Zum Abstellen, den Wahlschalter auf Position "0" stellen.

Reinigung

- ♦ Ziehen Sie den Stecker heraus und lassen Sie das Gerät abkühlen, bevor Sie mit der Reinigung beginnen.
- ♦ Reinigen Sie das Gerät mit einem feuchten Tuch, auf das Sie einige Tropfen Reinigungsmittel geben und trocknen Sie es danach ab.
- ♦ Verwenden Sie zur Reinigung des Geräts weder Löse- oder Scheuermittel noch Produkte mit einem sauren oder basischen pH-Wert wie z.B. Lauge.
- ♦ Lassen Sie kein Wasser oder andere Flüssigkeiten in die Belüftungsöffnungen eindringen, um Schäden an den inneren Funktionsteilen des Gerätes zu vermeiden.
- ♦ Das Gerät nicht in Wasser oder andere Flüssigkeiten tauchen und nicht unter den Wasserhahn halten.
- ♦ Bei der Reinigung muss besonders auf die Schneideflächen geachtet werden, die besonders scharf sind.
- ♦ Halten Sie das Gerät nicht sauber, so könnten sich der Zustand seiner Oberfläche verschlechtern, seine Lebenszeit negativ beeinflusst und gefährliche Situationen verursacht werden.
- ♦ Folgende Teile sind für die Reinigung in warmem Seifenwasser oder in der Spülmaschine (kurzes Spülprogramm) geeignet:
 - Kanne
 - Messbecher
- ♦ Den Deckel nicht in der Spülmaschine oder kochendem Wasser reinigen, er könnte sich verformen.
- ♦ Trocknen Sie alle Teile gut ab, bevor Sie das Gerät montieren und aufbewahren.

Funktion EASY CLEAN:

- ♦ Schütten Sie heißes Wasser und etwas flüssige Seife in das Gefäß.
- ♦ Wählen Sie die Funktion „EASY CLEAN“, indem Sie die Taste im 4-Sekunden-Takt drücken und den Vorgang wiederholen, wenn dies nötig ist.

Die Messer sind zum effizienteren Reinigen herausnehmbar:

- ♦ Lösen Sie die Messereinheit, indem Sie diese im Uhrzeigersinn drehen. (Fig.3).
- ♦ Nehmen Sie den die Messereinheit und die Dichtung heraus und reinigen Sie sie. (Fig.4).
- ♦ Nach dem Reinigen setzen Sie das Messer wieder ein und drehen den Befestigungsring in entgegengesetzter Richtung fest.

Störungen und Reparatur

- ♦ Bei Schäden und Störungen bringen Sie das Gerät zu einem zugelassenen Technischen Kundendienst. Versuchen Sie nicht, das Gerät selbst auseinanderzubauen und zu reparieren. Das könnte Gefahren zur Folge haben.

GARANTIE UND TECHNISCHER SERVICE

- ♦ Dieses Produkt ist von der gesetzlichen Garantie gemäss der geltenden Gesetzgebung geschützt. Um Ihre Rechte und Interessen geltend zu machen, müssen Sie eines unserer offiziellen Servicezentren aufsuchen.
- ♦ Über folgenden Link finden Sie ein Servicezentrum in Ihrer Nähe: <http://www.2helpu.com/>
- ♦ Sie können auch Informationen anfordern, indem Sie sich mit uns in Verbindung setzen (siehe letzte Seite des Handbuchs).
- ♦ Sie können dieses Benutzerhandbuch und seine Aktualisierungen unter <http://www.2helpu.com/> herunterladen.

Für die EU-Ausführungen des Produkts und/oder für Länder, in denen diese Vorschriften anzuwenden sind:

Ökologie und Recycling des Produkts

- ♦ Die zur Herstellung des Verpackungsmaterials dieses Geräts verwendeten Materialien sind im Sammel-, Klassifizierungs- und Recyclingsystem integriert. Wenn Sie es entsorgen möchten, können Sie die öffentlichen Container für die einzelnen Materialarten verwenden.
- ♦ Das Produkt ist frei von umweltschädlichen Konzentrationen von Substanzen.



Dieses Symbol weist darauf hin, dass das Produkt, wenn Sie es am Ende seiner Lebensdauer entsorgen wollen, in geeigneter Weise bei einer zugelassenen Entsorgungsstelle abzugeben ist, um die getrennte Sammlung von Elektro- und Elektronikgeräte-Abfall (WEEE) sicherzustellen.

Dieses Gerät erfüllt die Richtlinie 2014/35/EU über Niederspannung, die Richtlinie 2014/30/EU über elektromagnetische Verträglichkeit, die Richtlinie 2011/65/EU zur Beschränkung der Verwendung bestimmter gefährlicher Stoffe in Elektro- und Elektronikgeräten und die Richtlinie 2009/125/EG über die Anforderungen an die umweltgerechte Gestaltung energiebetriebener Produkte.



(Original Anweisungen)

DEUTSCH



**FRULLATORE
BXJB1000E****Egregio cliente,**

Le siamo grati per aver acquistato un prodotto della marca Black+Decker.

La sua tecnologia, il suo design e la sua funzionalità, oltre al fatto di aver superato le più rigorose norme di qualità, le assicureranno una totale e durevole soddisfazione.

**CONSIGLI E AVVERTENZE
PER LA SICUREZZA**

- ◆ Prima di utilizzare l'apparecchio, leggere attentamente le istruzioni riportate nel presente opuscolo e conservarlo per future consultazioni. La mancata osservanza delle presenti istruzioni può essere causa di incidenti.
- ◆ Prima del primo utilizzo dell'apparecchio, si consiglia di pulire tutte le parti a contatto con gli alimenti, come indicato nella sezione dedicata alla pulizia.
- ◆ L'apparecchio non deve essere utilizzato da bambini. Mantenere l'apparecchio e le parti per il collegamento alla rete elettrica fuori dalla portata di bambini.
- ◆ Questo apparecchio è idoneo per l'utilizzo da parte di persone con capacità fisiche, sensoriali o mentali ridotte o da persone non familiari con la manipolazione dello stesso, purché sorvegliati o debitamente informati sull'utilizzo in sicurezza della macchina e sui potenziali pericoli associati.
- ◆ Questo apparecchio non è un giocattolo. Assicurarsi che i bambini non giochino con l'apparecchio.
- ◆ Faccia attenzione al versare i liquidi caldi nel robot da cucina o nel frullatore, perché potrebbero essere espulsi a causa di un'improvvisa emissione di vapore.
- ◆ Le lame dell'apparecchio sono affilate e possono provocare lesioni. Procedere con cautela ed evitare il contatto diretto con il filo delle lame.
- ◆ Prestar particolare attenzione durante il maneggiamento delle lame, le operazioni di montaggio e smontaggio e lo svuotamento del recipiente per la pulizia.
- ◆ Spegner e scollegare l'apparecchio dalla rete elettrica quando non è in uso e prima di effettuare qualsiasi operazione di pulizia, assemblaggio o cambio di accessori
- ◆ Se la connessione alla rete elettrica è danneggiata, è necessario sostituirla, rivolgendosi a un Centro di Assistenza Tecnica autorizzato. Non tentare di smontare o di riparare l'apparecchio.
- ◆ Questo apparecchio è destinato unicamente ad un uso domestico, non professionale o industriale.
- ◆ Prima di collegare l'apparecchio alla rete elettrica, verificare che il voltaggio indicato sulla targhetta caratteristiche e il selettore di voltaggio corrispondano al voltaggio della rete.
- ◆ Collegare l'apparecchio a una presa di corrente che

sopporti come minimo 10 ampere.

- ♦ Verificare che la presa sia adatta alla spina dell'apparecchio. Non apportare alcuna modifica alla spina. Non usare adattatori.
- ♦ L'apparecchio deve essere collocato e utilizzato su una superficie piana e stabile.
- ♦ Non utilizzare l'apparecchio se il cavo di alimentazione o la spina fossero danneggiati.
- ♦ In caso di rottura di una parte dell'involucro esterno dell'apparecchio, scollegare immediatamente la spina dalla presa di corrente al fine di evitare eventuali scariche elettriche.
- ♦ Non usare l'apparecchio dopo una caduta, se presenta danni visibili o in presenza di qualsiasi perdita.
- ♦ Non tirare il cavo elettrico. Non usare mai il cavo elettrico per sollevare, trasportare o scollegare l'apparecchio.
- ♦ Non lasciare che il cavo rimanga impigliato o attorcigliato.
- ♦ Non usare o esporre l'apparecchio alle intemperie.
- ♦ Non toccare mai la spina con le mani bagnate.
- ♦ Adottare le misure di sicurezza necessarie per evitare l'avvio involontario dell'apparecchio.
- ♦ Prima dell'utilizzo, accertarsi che le lame siano saldamente fissate all'apparecchio.
- ♦ Non toccare mai le parti in movimento quando l'apparecchio è in funzione.
- ♦ Fare attenzione dopo l'arresto dell'apparecchio, dal momento che lo strumento continuerà a ruotare per effetto di inerzia meccanica.

Precauzioni d'uso:

- ♦ Prima di ogni utilizzo, svolgere completamente il cavo dell'apparecchio.
- ♦ Non utilizzare l'apparecchio se gli accessori non sono correttamente montati.
- ♦ Non utilizzare l'apparecchio se gli accessori presentano dei difetti. Proceda a sostituirli immediatamente.
- ♦ Non adoperare l'apparecchio con la caraffa vuota.
- ♦ Non utilizzare l'apparecchio se il suo dispositivo di accensione/spengimento non è funzionante.
- ♦ Non muovere l'apparecchio durante l'uso.
- ♦ Non utilizzare l'apparecchio inclinato, né capovolgerlo.
- ♦ Non forzare la capacità di lavoro dell'apparecchio.
- ♦ Rispettare l'indicazione del livello MAX (1500 ml).
- ♦ Non inserire nella caraffa alimenti molto caldi o bollenti per evitare possibili bruciature e, in ogni caso, evitare di superare la metà della capacità della caraffa. Gli sbalzi bruschi di temperatura, inoltre, potrebbero provocare la rottura della caraffa.

- ♦ Conservare questo apparecchio fuori dalla portata dei bambini e/o di persone con problemi fisici, mentali o di sensibilità, o con mancanza di esperienza e conoscenza.
- ♦ Mantenere l'apparecchio in buono stato. Verificare che le parti mobili siano ben fissate e che non rimangono incastrate, che non ci siano pezzi rotti e che non si verifichino altre situazioni che possano nuocere al buon funzionamento dell'apparecchio.
- ♦ Usare l'apparecchio, i suoi accessori e gli utensili secondo queste istruzioni, tenendo in considerazione le condizioni di lavoro e il lavoro da svolgere. Utilizzare l'apparecchio per operazioni diverse da quelle previste potrebbe causare una situazione di pericolo.
- ♦ Non utilizzare mai liquidi/alimenti bollenti o troppo caldi.
- ♦ Verificare che il coperchio sia perfettamente chiuso prima di mettere in funzione l'apparecchio.
- ♦ Usare sempre l'apparecchio sotto supervisione.
- ♦ Trattenere sempre il bordo del coperchio mentre sia in funzione l'apparecchio.
- ♦ Non lasciare mai l'apparecchio collegato alla rete elettrica e senza controllo. Si otterrà un risparmio energetico e si prolungherà la vita dell'apparecchio stesso.
- ♦ Non utilizzare l'apparecchio ininterrottamente per più di 2 minuti. Se si dovessero effettuare cicli, rispettare sempre i periodi di riposo di minimo 1 minuto fra un ciclo e l'altro. Ad ogni modo non è mai opportuno far funzionare l'apparecchio per un tempo superiore al necessario.
- ♦ Non utilizzare miscele secche, grosse o dure per più di 10 secondi di seguito. Lasciar raffreddare l'apparecchio a temperatura ambiente prima di riutilizzarlo.
- ♦ Non utilizzare l'apparecchio con ossa o alimenti congelati.
- ♦ Dopo ogni periodo massimo di utilizzo, lasciar raffreddare l'apparecchio a temperatura ambiente prima di riutilizzarlo.
- ♦ **AVVERTENZA:** Non utilizzare l'apparecchio se il vetro è incrinato o rotto.

Servizio:

- ♦ Il produttore invalida la garanzia e declina ogni responsabilità in caso di uso inappropriato dell'apparecchio o non conforme alle istruzioni d'uso.

Descrizione

- A Misurino dosatore
- B Coperchio
- C Giunto di sigillatura del coperchio
- D Caraffa
- E Set di lame
- F Anello di fissaggio delle lame

- G Corpo motore
- H Comando selettore di velocità
- I Funzione "Turbo / Rompighiaccio"

Nel caso in cui il modello del Suo apparecchio non sia dotato degli accessori anteriormente elencati, può acquistarli separatamente presso i punti di assistenza tecnica autorizzati.

Modalità d'uso

Prima dell'uso:

- ♦ Assicurarsi di aver rimosso dal prodotto tutto il materiale di imballaggio.
- ♦ Prima del primo utilizzo dell'apparecchio, si consiglia di pulire tutte le parti a contatto con gli alimenti, come indicato nella sezione dedicata alla pulizia.

Uso:

- ♦ Srotolare completamente il cavo prima di attaccare la spina.
- ♦ Assicurarsi che il set di lame sia ben fissato alla caraffa (girandolo in senso antiorario) prima di posizionare il corpo del motore. (Fig.1).
- ♦ Posizionare la caraffa sull'unità del motore, fissandola bene.
- ♦ Introdurre nella caraffa gli ingredienti tagliati a pezzetti con liquido (non superare il livello massimo di riempimento).
- ♦ Collocare il coperchio sulla caraffa e assicurarsi che sia bloccato correttamente.
- ♦ Infilare il misurino dosatore nel coperchio.
- ♦ Collegare l'apparato alla rete elettrica.
- ♦ Avviare l'apparecchio azionando il comando selettore.
- ♦ Scegliere la velocità desiderata e iniziare a mescolare.
- ♦ Per aggiungere altri ingredienti, togliere il misurino dosatore.
- ♦ Introdurre gli ingredienti e collocare di nuovo il misurino al suo posto.
- ♦ Per arrestare l'apparecchio, selezionare la posizione "0".
- ♦ Per evitare un avvio troppo brusco, raccomandiamo di accendere l'apparecchio con il comando di regolazione della potenza posizionato sul minimo e aumentare tale potenza gradualmente una volta avviato l'apparecchio.

Controllo elettronico della velocità:

- ♦ Si può controllare la velocità dell'apparecchio con il comando di regolazione della potenza. Questa funzione è molto utile, dato che permette di adattare la velocità dell'apparecchio al tipo di lavoro che si desidera compiere.

Una volta concluso l'utilizzo dell'apparecchio:

- ♦ Scollegare l'apparecchio dalla rete.
- ♦ Separare la caraffa dal corpo motore.
- ♦ Pulire l'apparecchio.

Funzione "Pulse / Rompighiaccio"

- ♦ L'apparato funziona a velocità massima per ottenere un funzionamento ottimale.
- ♦ Premere questo pulsante per avviare la funzione e rilasciare il pulsante quando si voglia fermarla.
- ♦ Con questa funzione si ottengono degli ottimi risultati per rompere il ghiaccio fino alla grossezza desiderata.
- ♦ Si consiglia di lavorare premendo il pulsante in cicli di 2 secondi e di ripetere tale operazione fino ad ottenere il risultato desiderato.
- ♦ Per rompere ghiaccio, non introdurre più di 4 cubetti alla volta. Se si desidera aggiungere dell'altro ghiaccio, ritirare il bicchiere graduato e introdurre i cubetti uno per uno.

AD3503 macinino:

- ♦ Aprire il tappo girandolo in senso antiorario.
- ♦ Introdurre gli ingredienti nel macinino (solo ingredienti secchi). Non superare la capacità massima della scodella.
- ♦ Chiudere il tappo girandolo in senso orario finché non sia ben stretto. (Fig. 2).
- ♦ Collegare l'apparato alla rete elettrica.
- ♦ Selezionare la velocità desiderata per cominciare a macinare.
- ♦ Per arrestare l'apparecchio, selezionare la posizione "0".

Pulizia

- ♦ Scollegare la spina dalla rete elettrica e aspettare che l'apparecchio si raffreddi prima di eseguirne la pulizia.
- ♦ Pulire il gruppo elettrico con un panno umido, quindi asciugarlo.
- ♦ Per la pulizia non impiegare solventi o prodotti a pH acido o basico come la candeggina, né prodotti abrasivi.
- ♦ Non lasciar entrare acqua o altri liquidi nelle fenditure del sistema di ventilazione per non danneggiare le parti operative dell'apparecchio.
- ♦ Non immergere l'apparecchio in acqua o altri liquidi, né lavarlo con acqua corrente.
- ♦ Le lame dell'apparecchio sono particolarmente affilate; durante la pulizia, maneggiare con cura.
- ♦ La mancata pulizia periodica dell'apparecchio può provo-

care il deterioramento delle superfici, compromettendone la durata operativa e la sicurezza.

- ♦ I seguenti pezzi possono essere lavati con acqua e detersivo o in lavastoviglie (usando un programma di lavaggio leggero):
 - Caraffa.
 - Bicchiere dosatore.
- ♦ Non mettere il tappo in lavastoviglie o in acqua bollente, perché si può deformare.
- ♦ Prima di montare e riporre l'apparecchio, asciugare bene tutti i pezzi.

Funzione EASY CLEAN:

- ♦ Versare dell'acqua calda ed una piccola quantità di detersivo liquido all'interno della caraffa.
- ♦ Selezionare la funzione "EASY CLEAN" premendo il pulsante in cicli di 4 secondi e di ripetere tale operazione se necessario.

Lame estraibili per una pulizia a fondo:

- ♦ Allentare il set di lame girandolo in senso antiorario. (Fig.3).
- ♦ Estrarre il set di lame e il giunto di sigillatura e pulirli. (Fig.4).
- ♦ Dopo la pulizia, riposizionare la lama e girare l'anello di fissaggio in senso opposto.

Anomalie e riparazioni

- ♦ In caso di guasto, rivolgersi ad un Centro d'Assistenza Tecnica autorizzato. Non tentare di smontare o di riparare l'apparecchio: può essere pericoloso.

GARANZIA E ASSISTENZA TECNICA

- ♦ Questo prodotto possiede il riconoscimento e la protezione della garanzia legale di conformità con la legislazione vigente. Per far valere i suoi diritti o interessi, dovrà rivolgersi a uno qualsiasi dei nostri servizi ufficiali di assistenza tecnica.
- ♦ Può trovare il più vicino cliccando sul seguente link: <http://www.2helpu.com/>.
- ♦ Inoltre, può richiedere informazioni mettendosi in contatto con noi (consultare l'ultima pagina del manuale).
- ♦ Può scaricare questo manuale di istruzioni e i suoi aggiornamenti da <http://www.2helpu.com/>.

Per i prodotti dell'Unione Europea e/o nel caso in cui sia previsto dalla legislazione del Suo paese di origine:

Prodotto ecologico e riciclabile

- ♦ I materiali che costituiscono l'imballaggio di questo apparecchio sono compresi in un sistema di raccolta, classificazione e riciclaggio degli stessi. Per lo smaltimento, utilizzare gli appositi contenitori pubblici, adatti per ogni tipo di materiale.
- ♦ Il prodotto non contiene concentrazioni di sostanze considerate dannose per l'ambiente.



Questo simbolo indica che, per smaltire il prodotto al termine della sua durata utile, occorre depositarlo presso un ente di smaltimento autorizzato alla raccolta differenziata di rifiuti di apparecchiature elettriche ed elettroniche (RAEE).

Questo apparecchio rispetta la Direttiva 2014/35/UE di Bassa Tensione, la Direttiva 2014/30/UE di Compatibilità Elettromagnetica, la Direttiva 2011/65/UE sui limiti d'impiego di determinate sostanze pericolose negli apparecchi elettrici ed elettronici e la Direttiva 2009/125/CE riguardante l'Ecodesign dei prodotti che consumano energia.

**BATIDORA
BXJB1000E****Distinguido cliente:**

Le agradecemos que se haya decidido por la compra de un producto de la marca Black+Decker .

Su tecnología, diseño y funcionalidad, junto con el hecho de superar las más estrictas normas de calidad le comportarán total satisfacción durante mucho tiempo.

**CONSEJOS Y ADVERTENCIAS
DE SEGURIDAD**

- ◆ Leer atentamente este folleto de instrucciones antes de poner el aparato en marcha y guardarlo para posteriores consultas. La no observación y cumplimiento de estas instrucciones pueden comportar como resultado un accidente.
- ◆ Antes del primer uso, limpiar todas las partes del producto que puedan estar en contacto con alimentos, procediendo tal como se indica en el apartado de limpieza.
- ◆ Este aparato no debe ser usado por niños. Mantener el aparato y su conexión de red fuera del alcance de los niños.
- ◆ Este aparato pueden utilizarlo personas con capacidades físicas, sensoriales o mentales reducidas o falta de experiencia y conocimiento, si se les ha dado la supervisión o formación apropiadas respecto al uso del aparato de una manera segura y comprenden los peligros que implica.
- ◆ Este aparato no es un juguete. Los niños deben estar bajo vigilancia para asegurar que no jueguen con el aparato.
- ◆ Tenga cuidado al verter líquidos calientes dentro del procesador de alimentos o batidora, ya que pueden salir expulsados a causa de una repentina emisión de vapor.
- ◆ Las cuchillas están afiladas y existe riesgo de corte, proceder con cautela y evitar el contacto directo con el filo de las mismas.
- ◆ Prestar especial atención durante el manejo de las cuchillas, durante operaciones de montaje y desmontaje, vaciado de jarra y limpieza.
- ◆ Desconectar el aparato y desenchufar la alimentación si se deja desatendido y antes de cambiar los accesorios o partes próximas que se mueven durante el uso, del montaje, del desmontaje o de la limpieza.
- ◆ Si la conexión red está dañada, debe ser substituida, llevar el aparato a un Servicio de Asistencia Técnica autorizado. Con el fin de evitar un peligro, no intente desmontarlo o repararlo por sí mismo.
- ◆ Este aparato está pensado únicamente para un uso doméstico, no para uso profesional o industrial.

- ♦ Antes de conectar el aparato a la red, verificar que el voltaje indicado en la placa de características coincide con el voltaje de red.
- ♦ Conectar el aparato a una base de toma de corriente que soporte como mínimo 10 amperios.
- ♦ La clavija del aparato debe coincidir con la base eléctrica de la toma de corriente. Nunca modificar la clavija. No usar adaptadores de clavija.
- ♦ El aparato debe utilizarse y colocarse sobre una superficie plana y estable.
- ♦ No utilizar el aparato con el cable eléctrico o la clavija dañada.
- ♦ Si alguna de las envolventes del aparato se rompe, desconectar inmediatamente el aparato de la red para evitar la posibilidad de sufrir un choque eléctrico.
- ♦ No utilizar el aparato si ha caído, si hay señales visibles de daños, o si existe fuga.
- ♦ No forzar el cable eléctrico de conexión. Nunca usar el cable eléctrico para levantar, transportar o desenchufar el aparato.
- ♦ No dejar que el cable eléctrico de conexión quede atrapado o arrugado.
- ♦ No utilizar ni guardar el aparato a la intemperie.
- ♦ No tocar la clavija de conexión con las manos mojadas.
- ♦ Tomar las medidas necesarias para evitar la puesta en marcha no intencionada del aparato.
- ♦ Antes de utilizar el aparato asegúrese que la cuchilla/s estén bien fijadas al aparato.
- ♦ No tocar las partes móviles del aparato en marcha.
- ♦ Tener precaución después de la operación de paro del aparato, ya que la cuchilla/s seguirán girando por efecto de su inercia mecánica.

Utilización y cuidados:

- ♦ Antes de cada uso, desenrollar completamente el cable de alimentación del aparato.
- ♦ No usar el aparato si sus accesorios no están debidamente acoplados.
- ♦ No usar el aparato si los accesorios acoplados a él presentan defectos. Proceda a sustituirlos inmediatamente.
- ♦ No utilizar el aparato con la jarra vacía.
- ♦ No usar el aparato si su dispositivo de puesta en marcha/paro no funciona.
- ♦ No mover el aparato mientras está en uso.
- ♦ No utilizar el aparato inclinado, ni darle la vuelta.
- ♦ No forzar la capacidad de trabajo del aparato.
- ♦ Respetar la indicación de nivel MAX (1500 ml).
- ♦ No agregar alimentos muy calientes o hirviendo en la jarra para evitar posibles quemaduras y, en todo caso,

evitar que superen la mitad de la capacidad de la jarra. Además los contrastes bruscos de temperatura podrían romper la jarra.

- ♦ Guardar este aparato fuera del alcance de los niños y/o personas con capacidades físicas, sensoriales o mentales reducidas o falta de experiencia y conocimiento.
- ♦ Mantener el aparato en buen estado. Compruebe que las partes móviles no estén desalineadas o trabadas, que no haya piezas rotas u otras condiciones que puedan afectar al buen funcionamiento del aparato.
- ♦ Usar este aparato, sus accesorios y herramientas de acuerdo con estas instrucciones, teniendo en cuenta las condiciones de trabajo y el trabajo a realizar. Usar el aparato para operaciones diferentes a las previstas podría causar una situación de peligro.
- ♦ No utilizar nunca líquidos que estén hirviendo.
- ♦ Comprobar que la tapa esté perfectamente cerrada antes de poner en marcha el aparato.
- ♦ Usar siempre el aparato bajo vigilancia.
- ♦ Sujetar siempre el borde de la tapa mientras este en uso el aparato.
- ♦ No dejar nunca el aparato conectado y sin vigilancia. Además ahorrará energía y prolongará la vida del aparato.
- ♦ No utilizar el aparato más de 2 minutos seguidos. En caso de realizar ciclos respetar siempre periodos de reposo entre ciclos de 1 minuto como mínimo. En ningún caso es conveniente tener el aparato en funcionamiento durante más del tiempo necesario.
- ♦ No utilizar mezclas secas, gruesas o duras durante más de 10 segundos seguidos. Dejar que el aparato se enfríe a temperatura ambiente antes de volver a utilizar el aparato.
- ♦ No usar el aparato con alimentos congelados o huesos.
- ♦ Después de cada período máximo de utilización, por favor dejar que el aparato se enfríe a temperatura ambiente antes de volver a utilizar el aparato.
- ♦ ADVERTENCIA: No usar el aparato si el cristal está agrietado o roto.

Servicio:

- ♦ Toda utilización inadecuada, o en desacuerdo con las instrucciones de uso, puede comportar peligro, anulando la garantía y la responsabilidad del fabricante.

Descripción

- A Vaso medidor
- B Tapa
- C Junta de sellado de la tapa
- D Jarra

- E Set de cuchillas
- F Anillo fijador cuchillas
- G Cuerpo motor
- H Selector de velocidad
- I Función Turbo / Picahielos

En caso de que su modelo de aparato no disponga de los accesorios descritos anteriormente, éstos también pueden adquirirse por separado en los Servicios de Asistencia Técnica.

Modo de empleo

Notas previas al uso:

- ♦ Asegúrese de que ha retirado todo el material de embalaje del producto.
- ♦ Antes de usar el producto por primera vez, limpie las partes en contacto con alimentos tal como se describe en el apartado de Limpieza.

Uso:

- ♦ Desenrollar completamente el cable antes de enchufar.
- ♦ Asegúrese de que el set de cuchillas está bien sujeto a la jarra (girándolo en el sentido contrario a las agujas del reloj) antes de colocar en cuerpo motor. (Fig.1).
- ♦ Colocar la jarra sobre la unidad del motor procurando que quede bien sujeta.
- ♦ Introduzca los ingredientes, después de haberlos troceado, en la jarra con líquido (sin sobrepasar la marca de nivel máximo).
- ♦ Coloque la tapa en la jarra, asegurándose de que queda bien fijada.
- ♦ Coloque el vaso medidor en la tapa.
- ♦ Enchufar el aparato a la red eléctrica.
- ♦ Poner el aparato en marcha, accionando el mando selector.
- ♦ Elija la velocidad deseada y empiece a mezclar.
- ♦ Si desea añadir más ingredientes, extraiga el vaso medidor.
- ♦ Añada los ingredientes y vuelva a colocar el vaso medidor.
- ♦ Para parar el aparato seleccione otra vez la velocidad "0".
- ♦ Para evitar un arranque demasiado brusco, recomendamos efectuar la puesta en marcha con el mando selector de potencia situado en su posición mínima, y progresivamente una vez el aparato ha arrancado,

Control electrónico de velocidad:

- ♦ Se puede controlar la velocidad del aparato, simplemente actuando sobre el mando de control de velocidad. Esta función es muy útil ya que permite adaptar la

velocidad del aparato al tipo de trabajo que se precise realizar.

Una vez finalizado el uso del aparato:

- ♦ Desenchufar el aparato de la red eléctrica.
- ♦ Desacoplar la jarra del cuerpo motor.
- ♦ Limpiar el aparato.

Función "Pulse / Picahielos"

- ♦ El aparato funciona con la velocidad máxima para lograr un rendimiento óptimo.
- ♦ Pulse este botón para poner en marcha la función y suelte el botón cuando quiera pararla.
- ♦ Esta función proporciona resultados óptimos para picar el hielo hasta el nivel deseado.
- ♦ Se recomienda trabajar pulsando el botón en ciclos de 2 segundos y repetir la operación hasta obtener el resultado deseado.
- ♦ Para picar el hielo, no introducir más de 4 cubitos cada vez. Si desea añadir más hielo, retire el vaso medidor e introduzca los cubitos uno a uno.

AD3503 molinillo:

- ♦ Abra la tapa girándola en el sentido contrario a las agujas del reloj.
- ♦ Introduzca los ingredientes en el molinillo (solamente ingredientes secos). No exceder la capacidad máxima del cuenco.
- ♦ Cierre la tapa girándola en el sentido de las agujas del reloj hasta que quede bien acoplada. (Fig.2).
- ♦ Enchufar el aparato a la red eléctrica.
- ♦ Seleccione la velocidad deseada para empezar a moler.
- ♦ Para parar el aparato seleccione otra vez la velocidad "0".

Limpieza

- ♦ Desenchufar el aparato de la red y dejarlo enfriar antes de iniciar cualquier operación de limpieza.
- ♦ Limpiar el aparato con un paño húmedo impregnado con unas gotas de detergente y secarlo después.
- ♦ No utilizar disolventes, ni productos con un factor pH ácido o básico como la lejía, ni productos abrasivos, para la limpieza del aparato.
- ♦ No deje entrar agua u otro líquido por las aberturas de ventilación para evitar daños en las partes operativas interiores del aparato.
- ♦ No sumergir el aparato en agua u otro líquido, ni ponerlo bajo el grifo.
- ♦ Durante el proceso de limpieza hay que tener especial

cuidado con las cuchillas ya que están muy afiladas.

- ♦ Si el aparato no se mantiene en buen estado de limpieza, su superficie puede degradarse y afectar de forma inexorable la duración de la vida del aparato y conducir a una situación peligrosa.
- ♦ Las siguientes piezas son aptas para su limpieza en agua caliente jabonosa o en el lavavajillas (usando un programa suave de lavado):
 - Jarra.
 - Vaso dosificador.
- ♦ No poner la tapa en el lavavajillas o en agua hirviendo, la tapa se puede deformar.
- ♦ A continuación, seque todas las piezas antes de su montaje y guardado.

Función EASY CLEAN:

- ♦ Introduzca agua y una pequeña cantidad de detergente en la jarra.
- ♦ Seleccione la función "EASY CLEAN" pulsando el botón en ciclos de 4 segundos y repetir la operación si es necesario.

Cuchillas extraíbles para una limpieza efectiva:

- ♦ Afloje el set de cuchillas girándolo en el sentido de las agujas de reloj. (Fig.3).
- ♦ Extraiga el set de cuchillas y la junta de sellado y proceda a limpiarlos. (Fig.4).
- ♦ Después de la limpieza, vuelva a colocar la cuchilla y gire el aro de fijación en el sentido contrario.

Anomalías y reparación

- ♦ En caso de avería llevar el aparato a un Servicio de Asistencia Técnica autorizado. No intente desmontarlo o repararlo ya que puede existir peligro.

GARANTÍA Y ASISTENCIA TÉCNICA

- ♦ Este producto goza del reconocimiento y protección de la garantía legal de acuerdo con la legislación vigente. Para hacer valer sus derechos o intereses, debe acudir a cualquiera de nuestros servicios oficiales de asistencia técnica.
- ♦ Puede encontrar el más cercano accediendo al siguiente enlace web: <http://www.2helpu.com/>.
- ♦ También puede solicitar información relacionada poniéndose en contacto con nosotros (consulte la última página del manual).
- ♦ Puede descargar este manual de instrucciones y sus actualizaciones en <http://www.2helpu.com/>.

Para las versiones EU del PRODUCTO o y/o en el caso de que en su país aplique:

Ecología y reciclabilidad del producto

- ♦ Los materiales que constituyen el envase de este aparato, están integrados en un sistema de recogida, clasificación y reciclado de los mismos. Si desea deshacerse de ellos, puede utilizar los contenedores públicos apropiados para cada tipo de material.
- ♦ El producto está exento de concentraciones de sustancias que se puedan considerar dañinas para el medio ambiente.



Este símbolo significa que si desea deshacerse del producto, una vez transcurrida la vida del mismo, debe depositarlo por los medios adecuados a manos de un gestor de residuos autorizado para la recogida selectiva de Residuos de Aparatos Eléctricos y Electrónicos

(RAEE).

Este aparato cumple con la Directiva 2014/35/EU de Baja Tensión, con la Directiva 2014/30/EU de Compatibilidad Electromagnética, con la Directiva 2011/65/EU sobre restricciones a la utilización de determinadas sustancias peligrosas en aparatos eléctricos y electrónicos y con la Directiva 2009/125/EC sobre los requisitos de diseño ecológico aplicable a los productos relacionados con la energía.

**BATEDEIRA
BXJB1000E****Caro cliente:**

Obrigado por ter adquirido um eletrodoméstico da marca Black+Decker.

A sua tecnologia, design e funcionalidade, aliados às mais rigorosas normas de qualidade, garantir-lhe-ão uma total satisfação durante muito tempo.

CONSELHOS E ADVERTÊNCIAS DE SEGURANÇA

- ◆ Leia atentamente este manual de instruções antes de ligar o aparelho e guarde-o para consultas futuras. A não observância e cumprimento destas instruções pode resultar em acidente.
- ◆ Antes da primeira utilização, limpe todas as partes do aparelho que possam estar em contacto com os alimentos, procedendo como se indica no capítulo de limpeza.
- ◆ Este aparelho não deve ser utilizado por crianças. Mantenha o aparelho e respetivo cabo de alimentação fora do alcance das crianças.
- ◆ Este aparelho pode ser utilizado por pessoas com incapacidades físicas, sensoriais ou mentais, ou por pessoas inexperientes, desde que o façam sob supervisão ou tenham recebido formação sobre a utilização segura do aparelho e compreendam os perigos que este comporta.
- ◆ Este aparelho não é um brinquedo. As crianças devem ser vigiadas para garantir que não brincam com o aparelho.
- ◆ Tenha cuidado ao verter líquidos quentes dentro do processador de alimentos, ou da batedeira, já que podem saltar por causa da emissão repentina de calor.
- ◆ As lâminas estão afiadas e podem causar danos. Proceda com cautela e evite o contacto directo com o gume.
- ◆ Preste especial atenção ao manipular as lâminas durante as operações de montagem e desmontagem, ao esvaziar a taça e durante a limpeza.
- ◆ Desligue o aparelho da rede eléctrica quando não estiver a utilizá-lo e antes de realizar qualquer operação de limpeza, ajuste, carregamento ou troca de acessórios.
- ◆ Se a ligação à corrente estiver danificada, deverá ser substituída. Leve o aparelho a um Serviço de Assistência Técnica autorizado. A fim de evitar o perigo, não tente desmontá-lo ou repará-lo sozinho.
- ◆ Este aparelho foi concebido exclusivamente para uso doméstico, não para uso profissional ou industrial.
- ◆ Antes de ligar o aparelho à corrente, verifique se a tensão indicada na placa de características corresponde à tensão da rede.
- ◆ Ligue o aparelho a uma tomada eléctrica com ligação a terra e que suporte 10 amperes.
- ◆ A ficha do aparelho deve coincidir com a tomada de corrente eléctrica. Nunca modifique a ficha. Não use adaptadores de ficha.
- ◆ O aparelho deve ser utilizado e colocado sobre uma

superfície plana e estável.

- ♦ Não utilize o aparelho se tiver o cabo elétrico ou a ficha danificados.
- ♦ Se algum dos revestimentos do aparelho se partir, desligue imediatamente o aparelho da corrente para evitar a possibilidade de sofrer um choque elétrico.
- ♦ Não utilize o aparelho se este caiu e se existirem sinais visíveis de danos ou de fuga.
- ♦ Não force o cabo elétrico. Nunca utilize o cabo de alimentação para levantar, transportar ou desligar o aparelho da corrente.
- ♦ Não deixe que o cabo elétrico fique preso ou dobrado.
- ♦ Não utilize nem guarde o aparelho ao ar livre.
- ♦ Não toque na ficha de ligação com as mãos molhadas.
- ♦ Tome as medidas necessárias para evitar que o aparelho se ligue acidentalmente.
- ♦ Assegure-se de que a lâmina está bem fixa no aparelho antes de o utilizar.
- ♦ Não toque nas partes móveis do aparelho quando este estiver em funcionamento.
- ♦ Tenha cuidado após a operação de paragem do aparelho, uma vez que a ferramenta continuará a girar por efeito da sua inércia mecânica.

Utilização e cuidados:

- ♦ Antes de cada utilização, desenrole completamente o cabo de alimentação do aparelho.
- ♦ Não utilize o aparelho se os acessórios não estiverem devidamente montados.
- ♦ Não utilize o aparelho se os acessórios ou consumíveis montados apresentarem defeitos. Substitua-os imediatamente.
- ♦ Não utilize o aparelho com o jarro vazio.
- ♦ Não utilize o aparelho se o dispositivo de ligar/desligar não funcionar.
- ♦ Não desloque o aparelho enquanto estiver em funcionamento.
- ♦ Não utilize o aparelho inclinado ou invertido.
- ♦ Não force a capacidade de trabalho do aparelho.
- ♦ Respeite a indicação do nível MAX (1500 ml).
- ♦ Não coloque alimentos muito quentes ou a ferver no jarro para evitar possíveis queimaduras e evite sempre que superem a metade da capacidade do jarro. Para além disso, os contrastes bruscos de temperatura podem rachar o jarro.
- ♦ Guarde o aparelho fora do alcance das crianças e de pessoas com capacidades físicas, sensoriais ou mentais reduzidas, ou com falta de experiência e conhecimento.
- ♦ Conserve o aparelho em bom estado. Verifique se as

partes móveis não estão desalinhasadas ou bloqueadas, que não existem peças danificadas ou outras condições que possam afetar o funcionamento correto do aparelho.

- ♦ Utilize este aparelho, os respetivos acessórios e ferramentas de acordo com estas instruções, tendo em conta as condições de trabalho e o trabalho a realizar. A utilização do aparelho para operações diferentes das previstas pode originar situações de perigo.
- ♦ NUNCA verta líquidos a ferver.
- ♦ Certifique-se de que a tampa está perfeitamente fechada antes de ligar o aparelho.
- ♦ Nunca deixe o aparelho sem vigilância.
- ♦ Segure sempre o bordo da tampa enquanto utiliza o aparelho.
- ♦ Nunca deixe o aparelho ligado e sem vigilância. Além disso, poupará energia e prolongará a vida do aparelho.
- ♦ - Não utilize o aparelho durante mais de 2 minutos seguidos. No caso de realizar ciclos, respeite sempre os períodos de repouso entre ciclos de 1 minutos como mínimo. Em caso algum é conveniente ter o aparelho em funcionamento para além do tempo necessário.
- ♦
- ♦ Não processe misturas secas, grossas ou duras durante mais de 10 segundos seguidos. Deixe que o aparelho arrefeça até à temperatura ambiente antes de o tornar a utilizar.
- ♦ Não utilize o aparelho com alimentos congelados ou ossos.
- ♦ Após cada período máximo de utilização, deixe que o aparelho arrefeça até à temperatura ambiente antes de o tornar a utilizar.
- ♦ ADVERTÊNCIA: Não utilize o aparelho se o vidro apresentar fissuras ou danos.

Serviço de Manutenção:

- ♦ Qualquer utilização inadequada ou em desacordo com as instruções de utilização pode ser perigosa e anula a garantia e a responsabilidade do fabricante.

Descrição

- A Copo doseador
- B Tampa
- G Junta de selagem da tampa
- D Jarro
- E Conjunto de lâminas
- F Aro fixador das lâminas
- G Corpo do motor
- H Seletor de velocidade
- I Função "Turbo" / Picador de gelo

Caso o seu modelo de aparelho não disponha dos acessórios descritos anteriormente, pode adquiri-los separadamente nos Serviços de Assistência Técnica.

Modo de utilização

Notas para antes da utilização:

- ◆ Assegure-se de que retirou todo o material de embalagem do produto.
- ◆ Antes de utilizar o produto pela primeira vez, limpe as partes em contacto com os alimentos tal como se descreve no capítulo de limpeza.

Utilização:

- ◆ Desenrole completamente o cabo antes de o ligar à tomada.
- ◆ Certifique-se de que o conjunto das lâminas fica bem fixo ao jarro (rodando-o no sentido contrário ao dos ponteiros do relógio) antes de o colocar no corpo do motor. (Fig.1).
- ◆ Coloque o jarro sobre a unidade do motor de maneira a que fique bem fixo.
- ◆ Introduza os ingredientes previamente cortados no jarro com líquido (não exceda a marca de nível máximo).
- ◆ Cubra o jarro com a tampa, assegurando-se de que está corretamente ajustada.
- ◆ Coloque o copo doseador na tampa.
- ◆ Ligue o aparelho à corrente elétrica.
- ◆ Coloque o aparelho em funcionamento, acionando o comando seletor.
- ◆ Escolha a velocidade pretendida e comece a misturar.
- ◆ Se desejar adicionar mais ingredientes, retire o copo doseador.
- ◆ Adicione os ingredientes e torne a colocar o copo.
- ◆ Para parar o aparelho, selecione a posição "0".
- ◆ Para evitar um arranque demasiado brusco, recomendamos por o aparelho a funcionar com o seletor da potência regulado para a potência mínima e ir progressivamente aumentando após o arranque.

Controlo eletrónico da velocidade:

- ◆ Pode controlar-se a velocidade do aparelho, atuando simplesmente sobre o comando de controlo de velocidade. Esta função é muito útil pois permite adaptar a velocidade do aparelho ao tipo de trabalho a realizar.

Uma vez concluída a utilização do aparelho:

- ◆ Desligue o aparelho da corrente elétrica.
- ◆ Retire o copo do corpo do motor.
- ◆ Limpe o aparelho.

Função "Pulse" / Picador de gelo

- ◆ O aparelho funciona à velocidade máxima para conseguir um rendimento ótimo.
- ◆ Prima este botão para iniciar a função e largue-a quando a quiser parar.
- ◆ Esta função proporciona resultados ótimos para picar gelo até ao nível desejado.
- ◆ Para manter o funcionamento, recomenda-se premir o botão em ciclos de 2 segundos e repetir a operação até obter o resultado desejado.
- ◆ Para picar o gelo não introduza mais do que 4 cubos de cada vez. Se pretender adicionar mais gelo, retire o copo medidor e introduza os cubos um a um.

Moinho AD3503:

- ◆ Abra a tampa rodando-a no sentido contrário ao dos ponteiros do relógio.
- ◆ Introduza os ingredientes no moinho (apenas ingredientes secos). Não exceder a capacidade máxima do recipiente.
- ◆ Feche a tampa rodando-a no sentido dos ponteiros do relógio até que fique bem acoplada. (Fig. 2).
- ◆ Ligue o aparelho à corrente elétrica.
- ◆ Selecione a velocidade desejada para começar a moer.
- ◆ Para parar o aparelho, selecione a posição "0".

Limpeza

- ◆ Desligue o aparelho da corrente e deixe-o arrefecer antes de iniciar qualquer operação de limpeza.
- ◆ Limpe o aparelho com um pano húmido com algumas gotas de detergente e seque-o de seguida.
- ◆ Não utilize solventes, produtos com um fator pH ácido ou básico como a lixívia, nem produtos abrasivos para a limpeza do aparelho.
- ◆ Não deixe entrar água ou outro líquido pelas aberturas de ventilação para evitar danos nas partes operativas interiores do aparelho.
- ◆ Nunca mergulhe o aparelho dentro de água ou em qualquer outro líquido, nem o coloque debaixo da torneira.
- ◆ Durante o processo de limpeza deve ter especial cuidado com as lâminas pois estão muito afiadas.
- ◆ Se o aparelho não for mantido limpo, a sua superfície pode degradar-se e afetar de forma irreversível a

duração da vida do aparelho e conduzir a uma situação de perigo.

- ♦ As seguintes peças podem ser lavadas em água quente com sabão ou na máquina de lavar louça (com um programa suave de lavagem):
 - Copo
 - Copo doseador
- ♦ Não coloque a tampa no lava-loiças ou em água a ferver, a tampa pode ficar deformada.
- ♦ Em seguida, seque bem todas as peças antes de as montar e guardar.

Função EASY CLEAN:

- ♦ Coloque a água quente e uma pequena quantidade de detergente líquido no interior do jarro.
- ♦ Selecione a função "EASY CLEAN" premindo o botão em ciclos de 4 segundos e repita la operação, se necessário.

Lâminas extraíveis para uma limpeza eficaz:

- ♦ Solte o conjunto das lâminas rodando-o no sentido dos ponteiros do relógio. (Fig.3).
- ♦ Extraia o aro de de fixação da lâmina e a junta de fixação e limpe-os. (Fig.4).
- ♦ Após a limpeza, volte a colocar a lâmina, rode o aro de fixação no sentido contrário.

Anomalias e reparação

- ♦ Em caso de avaria leve o aparelho a um Serviço de Assistência Técnica autorizado. Não tente desmontar ou reparar o aparelho, já que tal poderá acarretar perigos.

GARANTIA E ASSISTÊNCIA TÉCNICA

- ♦ Este produto goza do reconhecimento e proteção da garantia legal em conformidade com a legislação em vigor. Para fazer valer os seus direitos ou interesses, deve recorrer sempre aos nossos serviços oficiais de assistência técnica.
- ♦ Poderá encontrar o mais próximo de si através do seguinte website: <http://www.2helpu.com/>.
- ♦ Também pode solicitar informações relacionadas, pon-do-se em contacto connosco (consulte a última página do manual).
- ♦ Pode fazer o download deste manual de instruções e suas atualizações em <http://www.2helpu.com/>.

Para as versões EU do PRODUTO e/ou caso aplicável no seu país:

Ecologia e reciclagem e do produto

- ♦ Os materiais que constituem a embalagem deste aparelho estão integrados num sistema de recolha, classificação e reciclagem. Se desejar eliminá-los, utilize os contentores de reciclagem colocados à disposição para cada tipo de material.
- ♦ O produto está isento de concentrações de substâncias que possam ser consideradas nocivas para o ambiente.



Este símbolo significa que se desejar desfazer-se do produto depois de terminada a sua vida útil, deve entregá-lo através dos meios adequados ao cuidado de um gestor de resíduos autorizado para a recolha seletiva de Resíduos de Equipamentos Elétricos e Eletrónicos (REEE).

Este aparelho cumpre a Diretiva 2014/35/CE de Baixa Tensão, a Diretiva 2014/30/UE de Compatibilidade Eletromagnética a Diretiva 2011/65/UE sobre restrições à utilização de determinadas substâncias perigosas em aparelhos elétricos e eletrónicos e a Diretiva 2009/125/CE sobre os requisitos de design ecológico aplicável aos produtos relacionados com a energia.

**MIXER
BXJB1000E****Geachte klant:**

We danken u voor de aankoop van een product van het merk Black+Decker .

De technologie, het ontwerp en de functionaliteit van dit product, dat voldoet aan de meest strikte kwaliteitseisen, staan garant voor langdurige tevredenheid.

**VEILIGHEIDSAADVIEZEN EN
WAARSCHUWINGEN**

- ◆ Neem deze gebruiksaanwijzing aandachtig door voordat u het apparaat in gebruik neemt en bewaar haar voor toekomstig gebruik. Het niet opvolgen en naleven van deze instructies kan een ongeluk tot gevolg hebben.
- ◆ Voor het eerste gebruik dient u alle delen van het apparaat die met voedingsmiddelen in aanraking kunnen komen, schoon te maken, zoals aangegeven in het hoofdstuk schoonmaken.
- ◆ Het apparaat mag niet door kinderen gebruikt worden. Houd het apparaat en zijn aansluiting op het lichtnet buiten het bereik van kinderen.
- ◆ Dit apparaat mag gebruikt worden door personen met verminderde, fysieke, zintuiglijke of mentale capaciteiten, of personen met weinig ervaring als ze onder toezicht staan of passende training hebben ontvangen om het apparaat veilig te kunnen hanteren en de risico's kennen.
- ◆ Dit apparaat is geen speelgoed. Houd toezicht op kinderen om er zeker van te zijn dat ze niet met het apparaat spelen.
- ◆ Wees voorzichtig wanneer men hete vloeistoffen in de keukenrobot of mixer giet, omdat er stoomvorming kan optreden die de vloeistof laat exploderen.
- ◆ De messen zijn scherp en kunnen letsel veroorzaken. Wees voorzichtig en voorkom direct contact met de scherpe kant van de messen.
- ◆ Wees extra voorzichtig tijdens het monteren en demonteren van de messen aangezien deze geslepen zijn en er risico bestaat dat u zich snijdt.
- ◆ Haal de stekker van het toestel uit het stopcontact wanneer u het niet gebruikt en alvorens accessoires of bewegende delen te vervangen, demonteren of reinigen.
- ◆ Als het netsnoer beschadigd is, moet het worden vervangen. Breng het apparaat naar een erkende Technische service. Probeer het apparaat niet zelf te demonteren of repareren om risico's te vermijden.
- ◆ Dit apparaat is alleen bedoeld voor huishoudelijk gebruik, niet voor professioneel of industrieel gebruik.

- ♦ Controleer dat de spanningsgegevens op het typeplaatje overeenkomen met die van het stroomnet alvorens het apparaat erop aan te sluiten.
 - ♦ Sluit het apparaat aan op een stopcontact van minimaal 10 Ampère.
 - ♦ De stekker van het apparaat moet geschikt zijn voor het stopcontact. Wijzig de stekker niet. Gebruik geen adapters.
 - ♦ Plaats het apparaat voor gebruik op een vlak en stabiel oppervlak.
 - ♦ Het apparaat niet gebruiken wanneer het snoer of de stekker beschadigd is.
 - ♦ Als een deel van de behuizing beschadigd wordt moet u de stekker van het apparaat onmiddellijk uit het stopcontact trekken om een elektrische schok te voorkomen.
 - ♦ Gebruik het apparaat niet als het is gevallen, wanneer er zichtbare tekenen van schade zijn of wanneer het lekt.
 - ♦ Forceer het stroomsnoer niet. Gebruik het snoer nooit om het apparaat op te tillen, te transporteren of om de stekker uit het stopcontact te trekken.
 - ♦ Zorg ervoor dat het stroomsnoer niet bekneld of geknikt wordt.
 - ♦ Bewaar of gebruik het toestel niet buitenshuis.
 - ♦ Raak de stekker niet met natte handen aan.
 - ♦ Neem de nodige voorzorgsmaatregelen om te vermijden dat het apparaat onverhoopt wordt ingeschakeld.
 - ♦ Controleer voor het gebruik van het apparaat dat de mes(sen) goed op het apparaat bevestigd is/zijn.
 - ♦ De bewegende onderdelen van het apparaat niet aanraken wanneer het werkt.
 - ♦ Wees voorzichtig wanneer u het apparaat uitschakelt. Door mechanische inertie blijft het mes nog even draaien.
- Gebruik en onderhoud:**
- ♦ Rol voor gebruik het netsnoer van het apparaat volledig af.
 - ♦ Gebruik het apparaat niet wanneer de accessoires niet correct aangekoppeld zijn.
 - ♦ Gebruik het apparaat niet als de aangekoppelde accessoires beschadigd zijn. Vervang ze onmiddellijk. Vervang ze onmiddellijk.
 - ♦ Het apparaat niet gebruiken met een lege kan.
 - ♦ Het apparaat niet gebruiken als de aan/uit-knop niet werkt.
 - ♦ Het apparaat niet verplaatsen terwijl het werkt.
 - ♦ Gebruik het apparaat niet wanneer het scheef staat en houd het niet ondersteboven.
 - ♦ Overschrijd de maximale capaciteit van het apparaat niet.
 - ♦ Respecteer de MAX niveau-aanduiding (1500 ml).
 - ♦ Plaats of giet geen hete of kokende voedingsmiddelen in de kan om brandwonden te voorkomen en zorg er in elk geval voor dat de kan niet voor meer dan helft gevuld wordt. Snelle temperatuurveranderingen kunnen de kan doen breken.
 - ♦ Houd dit apparaat buiten bereik van kinderen en/of personen met lichamelijke, zintuiglijke of geestelijke beperkingen, of met een gebrek aan ervaring en kennis.
 - ♦ Het apparaat goed onderhouden. Controleer dat de bewegende delen niet scheef of vast zitten, dat er geen onderdelen kapot zijn of dat er andere problemen zijn die van invloed kunnen zijn op de correcte werking van het apparaat.
 - ♦ Volg deze aanwijzingen altijd nauwgezet op bij gebruik van het apparaat en zijn accessoires en hulpmiddelen. Houd altijd rekening met de arbeidsomstandigheden en de uit te voeren werkzaamheden. Als u het apparaat voor andere dan de voorziene doeleinden gebruikt, kan dat gevaarlijk zijn.
 - ♦ Gebruik geen kokende vloeistoffen.
 - ♦ Controleer dat het deksel goed gesloten is voordat u het apparaat inschakelt.
 - ♦ Laat het apparaat nooit onbewaakt tijdens gebruik.
 - ♦ Houd de rand van het deksel vast zolang het apparaat functioneert.
 - ♦ Laat het apparaat nooit zonder toezicht aan staan. U bespaart hierdoor energie en verlengt tevens de levensduur van het apparaat.
 - ♦ Gebruik het apparaat nooit langer dan 2 minuten. Pauzeer bij herhaalde werkcycli tenminste 1 minuten na elke cyclus. Laat het apparaat niet langer dan noodzakelijk draaien.
 - ♦ Laat het apparaat niet langer dan 10 seconden werken bij droge, dikke of harde mengsels. Laat het apparaat afkoelen tot kamertemperatuur voordat u het apparaat opnieuw gebruikt.
 - ♦ Gebruik het apparaat niet voor bevroren ingrediënten of beenderen.
 - ♦ Laat het apparaat afkoelen tot kamertemperatuur na elke lange werkcyclus voordat u het apparaat opnieuw gebruikt.
 - ♦ WAARSCHUWING Het apparaat niet gebruiken als het glas gebarsten of kapot is.
- Reparaties:**
- ♦ Onjuist gebruik of een gebruik dat niet overeenstemt met de gebruiksaanwijzing kan gevaar inhouden en doet de garantie en de aansprakelijkheid van de fabrikant teniet.

Beschrijving

- A Maatglas
- B Deksel
- C Afdichtingsring
- D Kan
- E Messenset
- F Bevestigingsring messen
- G Motorlichaam
- H Snelheidskeuzeknop
- I "TURBO" functie / IJsmaler

Mocht het model van uw apparaat niet beschikken over de hierboven beschreven accessoires dan zijn deze ook apart verkrijgbaar bij de Technische Dienst.

Gebruiksaanwijzing

Opmerkingen voorafgaand aan het gebruik:

- ♦ Controleer dat al het verpakkingsmateriaal van het product verwijderd is.
- ♦ Reinig voor het eerste gebruik alle delen van het apparaat die met voedingsmiddelen in aanraking kunnen komen, zoals aangegeven in het onderdeel Reiniging.

Gebruik:

- ♦ Het snoer helemaal afrollen alvorens de stekker in het stopcontact te steken.
- ♦ Controleer dat de set messen goed aan de kan bevestigd is (door ze linksom te draaien) alvorens deze in het motorlichaam te plaatsen. (Fig.1).
- ♦ Plaats de kan op het motorlichaam en controleer dat hij goed vastzit.
- ♦ Snij de ingrediënten in grove stukken en doe ze in de kan met vloeistof (zonder het aangegeven maximumniveau te overschrijden).
- ♦ Dek de kan af met het deksel en zorg ervoor dat het de kan goed afsluit.
- ♦ Plaats de doseerdop in het deksel.
- ♦ Steek de stekker in het stopcontact.
- ♦ Zet het apparaat aan door middel van de snelheidskeuzeknop.
- ♦ Selecteer de gewenste snelheid en begin te mengen.
- ♦ Als u meer ingrediënten wilt toevoegen, verwijder dan de doseerdop.
- ♦ Voeg de ingrediënten toe en breng de doseerdop opnieuw aan.
- ♦ Om het apparaat uit te schakelen, de schakelaar in de stand "0" zetten.
- ♦ Om te voorkomen dat de machine te bruusk start, bevelen wij aan de machine te activeren door de snelheids-

keuzeknop in de minimale stand te zetten, en vervolgens de snelheid geleidelijk te verhogen.

Elektrische snelheidscontrole:

- ♦ Men kan de snelheid van het apparaat onder controle houden, simpelweg door de bediening van de snelheidscontrole in werking te stellen. Deze functie is erg nuttig, omdat men zodoende de snelheid aan kan passen aan de uit te voeren taak.

Na gebruik van het apparaat:

- ♦ Trek de stekker uit het stopcontact.
- ♦ Koppel de kan los van het motorlichaam.
- ♦ Reinig het apparaat.

Functie "Pulse / IJsmaler"

- ♦ Het toestel werkt op maximumsnelheid voor een optimaal rendement.
- ♦ Druk op deze knop om de functie te selecteren en laat de knop los om de functie te stoppen.
- ♦ Deze functie geeft de beste resultaten om ijs tot de gewenste grootte te malen.
- ♦ We raden u aan om in cycli van 2 seconden te werken en deze te herhalen tot het gewenste resultaat wordt bereikt.
- ♦ Crush niet meer dan 4 ijsblokjes per keer. Als u meer ijs wilt toevoegen, verwijdert u de maatbeker en gooit u de ijsblokjes één voor één in het toestel.

AD3503 molen:

- ♦ Open het deksel door het linksom te draaien.
- ♦ Leg de ingrediënten in de molen (alleen droge ingrediënten) Overschrijd de maximale capaciteit van de houder niet.
- ♦ Sluit het deksel door het rechtsom te draaien totdat het goed vastzit. (Fig. 2)
- ♦ Steek de stekker in het stopcontact.
- ♦ Selecteer de gewenste maalsnelheid.
- ♦ Zet de snelheid weer op de stand "0" om het apparaat te stoppen.

Reiniging

- ♦ Trek de stekker uit het stopcontact en laat het apparaat afkoelen alvorens het te reinigen.
- ♦ Maak het apparaat schoon met een vochtige doek met een paar druppels afwasmiddel en droog het daarna goed af.
- ♦ Gebruik geen oplosmiddelen of producten met een zure

of basische pH zoals bleekwater, noch schuurmiddelen, om het apparaat schoon te maken.

- ♦ Zorg ervoor dat er geen water of andere vloeistof binnendringt via de ventilatie-openingen, om schade aan de functionele delen in het inwendige van het apparaat te voorkomen.
- ♦ Dompel het apparaat niet onder in water of een andere vloeistof en houd het niet onder de kraan.
- ♦ Tijdens de schoonmaakbeurt extra oppassen met de messen van de mixer want die zijn zeer scherp.
- ♦ Indien het apparaat niet goed schoongehouden wordt, kan het oppervlak beschadigd en de levensduur van het apparaat verkort worden, en kan er een gevaarlijke situatie ontstaan.
- ♦ De volgende onderdelen mogen met warm zeepsop schoongemaakt worden of in de vaatwasser geplaatst worden (op een zacht wasprogramma):
 - Kan
 - Maatbeker
- ♦ Was het deksel niet in de vaatwasmachine of met heet water, omdat het daardoor kan vervormen.
- ♦ Droog alle onderdelen goed af alvorens het apparaat opnieuw te monteren en op te bergen.

EASY CLEAN functie

- ♦ Doe warm water en een kleine hoeveelheid vloeibare zeep in de kan.
- ♦ Activeer de functie "EASY CLEAN" door de knop in cycli van 4 seconden in te drukken en dit indien nodig te herhalen.

De messen kunnen verwijderd worden voor een optimale reiniging:

- ♦ Maak de set messen los door ze linksom te draaien. (Fig. 3)
- ♦ Verwijder de set messen en de afdichtingsring en maak ze schoon. (Fig.4).
- ♦ Plaats de messen na reiniging terug en draai de bevestigingsring linksom vast.

Storingen en reparatie

- ♦ Breng het apparaat bij storing naar een erkende Technische Dienst. Probeer het apparaat niet zelf te demonteren of te repareren, want dit kan gevaarlijk zijn.

GARANTIE EN TECHNISCHE ONDERSTEUNING

- ♦ Dit product valt onder de legale garantievoorwaarden zoals bepaald in de actuele wetgeving. Om een beroep te doen op uw rechten of aanspraken kunt u contact opnemen met onze officiële technische service.
- ♦ U kunt de dichtstbijzijnde technische service vinden op de website: <http://www.2helpu.com/>
- ♦ Voor verdere informatie kunt u ook contact met ons opnemen (zie de laatste bladzijde van de gebruiksaanwijzing).
- ♦ U kunt deze gebruiksaanwijzing en eventuele actualiseringen ervan downloaden via <http://www.2helpu.com/>.

Voor de EU-versies van het PRODUCT en/of indien van toepassing in uw land:

Ecologie en hergebruik van het product

- ♦ Het verpakkingsmateriaal van dit apparaat is geschikt voor inzameling, classificatie en hergebruik. U kunt dit materiaal wegwerpen in de openbare afvalcontainers die voor de desbetreffende typen materiaal zijn bestemd.
- ♦ Het product bevat geen materialen die schadelijk zijn voor het milieu.



Dit symbool betekent dat u het product aan het eind van zijn levenscyclus moet afgeven aan een erkende afvalverwerker ten behoeve van de gescheiden verwerking van Afgedankte Elektrische en Elektronische Apparatuur (AEEA).

Dit apparaat voldoet aan de laagspanningsrichtlijn 2014/35/EG, met de richtlijn 2014/30/EG met betrekking tot elektromagnetische compatibiliteit en met de richtlijn 2011/65/EG met betrekking tot beperkingen in de toepassing van bepaalde gevaarlijke stoffen in elektrische en elektronische apparaten en met de richtlijn 2009/125/EG met betrekking tot de eisen inzake ecologisch ontwerp voor energiegerelateerde producten.

**BLENDER
BXJB1000E****Szanowny Kliencie,**

Serdecznie dziękujemy za zdecydowanie się na zakup sprzętu gospodarstwa domowego marki Black+Decker. Jej technologia, forma i funkcjonalność, jak również fakt, że spełnia ona wszelkie normy jakości, dostarczy Państwu pełnej satysfakcji przez długi czas.

PORADY I OSTRZEŻENIA DOTYCZĄCE BEZPIECZEŃSTWA

- ♦ Przeczytać uważnie instrukcję przed uruchomieniem urządzenia i zachować ją w celu późniejszych konsultacji. Niedostosowanie się i nieprzestrzeganie niniejszych instrukcji może doprowadzić do wypadku.
- ♦ Przed pierwszym użyciem należy umyć wszystkie części urządzenia, które mogą mieć kontakt z pokarmami, postępując zgodnie z instrukcją.
- ♦ Dzieci nie powinny używać tego urządzenia. Konserwacja urządzenia i podłączanie go do sieci nie mogą być wykonywane przy dzieciach.
- ♦ Urządzenie może być używane przez osoby niezapoznane z tego typu produktem, osoby niepełnosprawne, tylko i wyłącznie pod kontrolą dorosłych zapoznanym z tego typu sprzętem.
- ♦ To urządzenie nie jest zabawką. Dzieci powinny pozostać pod czujną opieką w celu zagwarantowania iż nie bawią się urządzeniem.
- ♦ Należy uważać podczas wlewania gorących płynów do robota kuchennego lub blendera, gdyż mogą być one wydalone z nich z powodu nagłego uwolnienia się pary.
- ♦ Noże są ostre i mogą zranić użytkownika. Należy obchodzić się z nimi bardzo ostrożnie i unikać bezpośredniego kontaktu.
- ♦ Należy zwrócić szczególną uwagę na bezpieczeństwo podczas czyszczenia, rozkładania, montażu noży lub dzbanka.
- ♦ Wyłączać urządzenie z prądu, jeśli nie jest ono używane i przed przystąpieniem do jakiegokolwiek czyszczenia
- ♦ W razie awarii zanieść urządzenie do autoryzowanego Serwisu Technicznego. Nie próbować rozbierać urządzenia ani go naprawiać, ponieważ może to być niebezpieczne.
- ♦ Urządzenie to zaprojektowane zostało wyłącznie do użytku domowego, a nie do użytku profesjonalnego czy przemysłowego.
- ♦ Przed podłączeniem urządzenia do sieci, sprawdzić czy napięcie wskazane na tabliczce znamionowej odpowiada napięciu sieci.
- ♦ Podłączać urządzenie do sieci elektrycznej o sile co najmniej 10 amperów.
- ♦ Wtyczka urządzenia powinna być zgodna z podstawą elektryczną gniazdka. Nigdy nie modyfikować wtyczki. Nie używać przejściówek dla wtyczki.
- ♦ Urządzenie powinno być ustawiane i używane na powierzchni płaskiej i stabilnej.
- ♦ Nie używać urządzenia, gdy kabel elektryczny lub wtyczka jest uszkodzona.

- Jeśli popełka jakiś element obudowy urządzenia, natychmiast wyłączyć urządzenie z prądu, aby uniknąć porażenia prądem.
- Nie używać urządzenia, jeśli ono upadło czy kiedy występują widoczne oznaki uszkodzenia, albo jeśli istnieją wycieki.
- Nie napinać elektrycznego kabla połączeń. Nie używać nigdy kabla elektrycznego do podnoszenia, przenoszenia ani wyłączania urządzenia.
- Nie pozostawiać, by kabel elektryczny podłączenia został schwytyany lub pomarszczony.
- Nie używać, ani nie przechowywać urządzenia na zewnątrz.
- Nie dotykać wtyczki mokrymi rękoma.
- Należy przestrzegać środków ostrożności, by zapobiec niezamierzonemu włączeniu urządzenia.
- Przed użyciem urządzenia zapewnij się, czy żyłtka/i są dobrze zamocowane w urządzeniu.
- Nie dotykać ruchomych części urządzenia, kiedy jest ono w trakcie działania.
- Należy zachować ostrożność po wyłączeniu urządzenia, gdyż na podstawie inercji mechanicznej noże będą się dalej obracały.

Używanie i konserwacja:

- Przed każdym użyciem, rozwinąć całkowicie przewód zasilania urządzenia.
- Nie używać urządzenia jeśli jego akcesoria lub filtry nie są odpowiednio dopasowane.
- Nie stosować urządzenia, jeśli zamocowane do niego akcesoria posiadają wady. Należy je wówczas natychmiast wymienić.
- Nie używać urządzenia z pustym dzbanem.
- Nie używać urządzenia, jeśli nie działa przycisk włączania ON/OFF.
- Nie ruszać urządzenia w czasie jego działania.
- Nie należy używać urządzenia, gdy jest przechylone ani do góry dnem.
- Nie przeciążać urządzenia ponad dopuszczalne normy wydajności pracy.
- Nie przekraczać poziomu MAX (1500 ml).
- Nie wkładać do dzbanka żywności bardzo gorącej o wrzącej, aby zapobiec ewentualnym poparzeniom, ewentualnie unikać, aby wypełniały więcej niż połowę dzbanka. Ponadto gwałtowne zmiany temperatury mogłyby spowodować uszkodzenie dzbanka.
- Przechowywać urządzenie w miejscu niedostępnym dla dzieci i/lub osób o ograniczonych zdolnościach fizycznych, dotykowych lub mentalnych oraz nie posiadających doświadczenia lub znajomości tego typu urządzeń.
- Utrzymywać urządzenie w dobrym stanie. Sprawdząć,

czy ruchome części nie są poprzestawiane względem siebie czy zakleszczone, czy nie ma zepsutych części czy innych warunków, które mogą wpłynąć na właściwe działanie urządzenia.

- Urządzenie i jego akcesoria należy używać zgodnie z powyższą instrukcją obsługi, używanie go do innych celów niż opisane może powodować niebezpieczeństwo. Nie należy używać go do innych celów niż przeznaczony, gdyż może to spowodować zagrożenie dla zdrowia.
- Nigdy nie używać wrzących płynów.
- Przed włączeniem urządzenia sprawdzić, czy pokrywa jest dokładnie zamknięta.
- Nie pozostawiać włączonego urządzenia bez nadzoru.
- Zawsze przytrzymywać brzegi pokrywy, gdy urządzenie jest używane.
- Nie pozostawiać nigdy urządzenia podłączonego i bez nadzoru. W ten sposób zaoszczędzi się energię i przedłuży okres użytkowania urządzenia.
- Nie należy używać przez więcej niż 2 minuta. W przypadku realizowania cykli należy zawsze przestrzegać „odpoczynku” pomiędzy cyklami ,co najmniej 1 minuty. Nie zaleca się pracowania w urządzeniem dłużej niż to konieczne.
- Nie używać mieszanin suchych, grubych lub twardych, dłużej niż 10 s bez przerwy. Odczekać, aby urządzenie się schłodziło do temperatury otoczenia przed kolejnym użyciem.
- Nie wolno używać urządzenia do mielenia produktów zamrożonych lub kości.
- Po każdym okresie maksymalnego używania, odczekać, aby urządzenie się schłodziło do temperatury otoczenia przed kolejnym użyciem.
- **OSTRZEŻENIE** Nie należy używać urządzenia, jeśli szkło drzwi jest pęknięte lub zniszczone.

Serwis techniczny:

- Wszelkie niewłaściwe użycie lub niezgodne z instrukcją obsługi może doprowadzić do niebezpieczeństwa, anulując przy tym gwarancję i odpowiedzialność producenta.

Opis

- A Pojemnik dozujący
- B Pokrywka
- C Uszczelka pokrywy
- D Dzbanek
- E Zestaw ostrzy
- F Pierścień mocujący noże
- G Korpus Silnika
- H Wybór prędkości
- I Funkcja Turbo/Kruszarka lodu

W przypadku, jeśli model Państwa urządzenia nie posiada opisanych powyżej akcesoriów, te można również nabyć osobno w Serwisie Technicznym.

Sposób użycia

Uwagi przed użyciem:

- ♦ Upewnić się, że z opakowania zostały wyjęte wszystkie elementy urządzenia.
- ♦ Przed pierwszym użyciem należy umyć wszystkie części urządzenia, które mogą mieć kontakt z pokarmami, postępując zgodnie z instrukcją.

Sposób użycia:

- ♦ Całkowicie rozwinąć kabel przed podłączeniem urządzenia.
- ♦ Upewnić się, że zestaw ostrzy jest dobrze zamocowany do dzbanka (przekręcając go w kierunku przeciwnym do ruchu wskazówek zegara) przed zamontowaniem na korpusie silnika. (Fig.1).
- ♦ Umieścić dzbanek na korpusie silnika, starając się, aby został dobrze zamocowany.
- ♦ Włożyć składniki, po uprzednim ich pokrojeniu w kawałki, do dzbanka (nie przekraczać znaku poziomu maksymalnego).
- ♦ Przykryć dzbanek pokrywą, upewniając się, że jest właściwie założona.
- ♦ Umieścić naczynie dozujące na pokrywie
- ♦ Podłączyć urządzenie do prądu.
- ♦ Wyłączyć urządzenie za pomocą przycisku ON/OFF.
- ♦ Wybrać prędkość i włączyć urządzenie.
- ♦ Aby dodać więcej składników, zdjąć pojemnik dozujący.
- ♦ Dodać składniki i ponownie umieścić pojemnik.
- ♦ Aby zatrzymać urządzenie wybrać pozycję "0".
- ♦ Aby zapobiec zbyt gwałtownemu uruchamianiu, zalecamy uruchomienie za pomocą przełącznika mocy, ustawiając go w pozycji minimalnej i stopniowo, zwiększając stopniowo prędkość, po uruchomieniu urządzenia.

Elektroniczna kontrola prędkości:

- ♦ Moc urządzenia może być regulowana po prostu poprzez zmianę w regulatorze mocy. Funkcja ta jest niezwykle użyteczna, jako że pozwala dostosować moc urządzenia do rodzaju wykonywanej pracy.

Po zakończeniu korzystania z urządzenia:

- ♦ Wyłączyć urządzenie z sieci elektrycznej.
- ♦ Zdjąć dzbanek z korpusu silnika.
- ♦ Wyczyścić urządzenie.

Funkcja "Naciśnij"/Kruszarka lodu

- ♦ Urządzenie działa z maksymalną prędkością w celu osiągnięcia optymalną wydajność.
- ♦ Nacisnąć przycisk, aby uruchomić funkcję i zwolnij przycisk, gdy chcesz go zatrzymać
- ♦ Ta funkcja zapewnia optymalne wyniki dla rozdrabniania lodu do pożądanego poziomu.
- ♦ Zaleca się pracować naciskając na przycisk w cyklach 2 sekundowych, powtarzając operację aż do osiągnięcia zamierzonego rezultatu.
- ♦ Aby pokruszyć lód, nie wkładać więcej niż 4 kostki lodu na raz. Jeśli chcemy dołożyć więcej lodu, należy usunąć kielich z miarką i włożyć kostki lodu jedna po drugiej.

Młynec AD3503:

- ♦ Otworzyć pokrywę przekręcając ją w kierunku przeciwnym do ruchu wskazówek zegara.
- ♦ Wsypać składniki do mielenia (jedynie składniki suche). Nie przekraczać maksymalnego poziomu napełnienia.
- ♦ Zakręcić pokrywę przekręcając ją w kierunku zgodnym z ruchem wskazówek zegara, tak by dobrze przylegała. (Fig.2).
- ♦ Podłączyć urządzenie do prądu.
- ♦ Wybrać żądaną prędkość, aby rozpocząć mielenie.
- ♦ Aby zatrzymać urządzenie wybrać pozycję "0".

Czyszczenie

- ♦ Odłączyć urządzenie z sieci i pozostawić aż do ochłodzenia przed przystąpieniem do jakiegokolwiek czyszczenia.
- ♦ Czyścić urządzenie wilgotną szmatką zmoczoną kilkoma kroplami płynu i następnie osuszyć.
- ♦ Nie używać do czyszczenia urządzenia rozpuszczalników, produktów z czynnikiem PH takich jak chlor, ani środków żrących.
- ♦ Nie dopuścić do przedostania się wody ni innej cieczy do otworów wentylacyjnych, aby uniknąć uszkodzeń części mechanicznych znajdujących się we wnętrzu urządzenia.
- ♦ Nie zanurzać urządzenia w wodzie ni innej cieczy, nie wkładać pod kran.
- ♦ W trakcie czyszczenia, należy szczególnie uważać na noże, ponieważ są one bardzo ostre.
- ♦ Jeśli urządzenie nie jest utrzymywane w odpowiednim dobrym stanie czystości, jego powierzchnia może się niszczyć i wpływać w sposób niedający się powstrzymać na okres trwałości urządzenia oraz prowadzić do niebezpiecznych sytuacji.
- ♦ Poniższe części można myć w cieplej wodzie z mydłem

lub w zmywarce (ustawiając najniższy program):

- Dzbanek
- Szklanka miernicza
- ♦ Nie myć pokrywy w zmywarce lub we wrzącej wodzie, pokrywa może ulec zdeformowaniu.
- ♦ Wysuszyć wszystkie elementy przed ponownym montażem.

Funkcja PULSE/ EASY CLEAN

- ♦ Włożyć do dzbanka ciepłą wodę i niewielką ilość płynu do mycia.
- ♦ Wybrać funkcję "EASY CLEAN" naciskając na przycisk w cyklach co 4 sekundy i powtórzyć operację, jeśli jest to potrzebne.

Wymowane ostrza w celu skutecznego czyszczenia

- ♦ Połączyć zestaw ostrzy przekręcając go kierunku zgodnym z ruchem wskazówek zegara. (Fig.3).
- ♦ Wyjąć zestaw ostrzy oraz uszczelkę i rozpocząć ich czyszczenie. (Fig.4).
- ♦ Po oczyszczeniu należy z powrotem umieścić noże i zaciśnąć pierścien przekręcając go w odwrotnym kierunku.

Nieprawidłowości i naprawa

- ♦ W razie awarii zanieść urządzenie do autoryzowanego Serwisu Technicznego. Nie próbować rozbierać urządzenia ani go naprawiać, ponieważ może to być niebezpieczne.

GWARANCJA I SERWIS TECHNICZNY

- ♦ Ten produkt jest uznawany i chroniony prawną gwarancją zgodnie z obowiązującymi przepisami. W celu wyegzekwowania swoich praw lub interesów, należy udać się do dowolnego z naszych oficjalnych usług pomocy technicznej.
- ♦ Najbliższy punkt można znaleźć, korzystając z poniższego linku: <http://www.2helpu.com/>
- ♦ Można również poprosić o informacje, kontaktując się z nami (patrz ostatnia strona instrukcji).
- ♦ Można też pobrać niniejszą instrukcję obsługi i jej aktualizacje na <http://www.2helpu.com/>.

Dla urządzeń wyprodukowanych w Unii Europejskiej i w przypadku wymagań prawnych obowiązujących w danym kraju:

Ekologia i zarządzanie odpadami

- ♦ Materiały, z których wykonane jest opakowanie tego urządzenia, znajdują się w ramach systemu zbierania, klasyfikacji oraz ich odzysku. Jeżeli chcecie Państwo się ich pozbyć, należy umieścić je w kontenerze przeznaczonym do tego typu materiałów.
- ♦ Produkt nie zawiera koncentracji substancji, które mogłyby być uznane za szkodliwe dla środowiska.



Symbol ten oznacza, że jeśli chcecie się Państwo pozbyć tego produktu po zakończeniu okresu jego użytkowania, należy go przekazać przy zastosowaniu określonych środków do autoryzowanego podmiotu zarządzającego odpadami w celu przeprowadzenia selektywnej zbiórki Odpadów Urządzeń Elektrycznych i Elektronicznych (WEEE).

To urządzenie jest zgodne z dyrektywą 2014/35 / UE niskonapięciowych 2014/30 / UE o Kompatybilność elektromagnetycznej, z dyrektywą 2011/65 / UE w sprawie ograniczenia stosowania niektórych niebezpiecznych substancji w sprzęcie elektrycznym i elektronicznym oraz dyrektywą 2009/125 / WE w sprawie wymogów dotyczących ekoprojektu stosowanego w produktach związanych z energią.

**ΜΠΛΕΝΤΕΡ
BXJB1000E****Αξιότιμε πελάτη:**

Σας ευχαριστούμε που αποφασίσατε να αγοράσετε ένα προϊόν μάρκας Black+Decker.

Η τεχνολογία, ο σχεδιασμός και η λειτουργία του, σε συνδυασμό με το γεγονός ότι το προϊόν πληροί τις αυστηρότερες προδιαγραφές ποιότητας θα σας εξασφαλίσουν πλήρη ικανοποίηση για πολύ καιρό.

**ΟΔΗΓΙΕΣ ΚΑΙ
ΠΡΟΕΙΔΟΠΟΙΗΣΕΙΣ
ΑΣΦΑΛΕΙΑΣ**

- ♦ Διαβάστε προσεκτικά το παρόν φυλλάδιο οδηγιών πριν θέσετε σε λειτουργία τη συσκευή, και φυλάξτε το για να το συμβουλευέστε στο μέλλον. Η μη τήρηση και μη συμμόρφωση με τις εν λόγω οδηγίες μπορούν να οδηγήσουν σε ατύχημα.
- ♦ Πριν την πρώτη χρήση, καθαρίστε όλα τα μέρη του προϊόντος που μπορεί να έρθουν σε επαφή με τρόφιμα, κάνοντας αυτά που αναφέρονται στην παράγραφο για την καθαριότητα.
- ♦ Αυτή η συσκευή δεν πρέπει να χρησιμοποιείται από παιδιά. Φυλάξτε τη συσκευή και το καλώδιο της σύνδεσης στο ρεύμα μακριά από τα παιδιά.
- ♦ Αυτή τη συσκευή μπορούν να τη χρησιμοποιούν άτομα με μειωμένες σωματικές, αισθητηριακές ή νοητικές ικανότητες ή έλλειψη εμπειρίας και γνώσεων, εάν

βρίσκονται υπό την κατάλληλη επιτήρηση ή έχουν λάβει την κατάλληλη εκπαίδευση για την ασφαλή χρήση της συσκευής και κατανοούν τους κινδύνους που ενέχει.

- ♦ Η παρούσα συσκευή δεν είναι παιχνίδι. Τα παιδιά πρέπει να επιτηρούνται ώστε να διασφαλίζεται ότι δεν παίζουν με τη συσκευή.
- ♦ Προσέξτε όταν προσθέτετε ζεστά υγρά στην κουζίνομηχανή ή το μπλέντερ, μιας και μπορεί να πεταχτούν έξω λόγω ξαφνικής εκπομπής ατμού.
- ♦ Τα μαχαίρια είναι τροχισμένα και υπάρχει κίνδυνος να κοπείτε, για αυτό να είστε προσεκτικοί και να αποφεύγετε την άμεση επαφή με την ακμή τους.
- ♦ Προσέξτε όταν πιάνετε τα μαχαίρια κατά τις διαδικασίες της συναρμολόγησης και αποσυναρμολόγησης, του αδειάσματος του δοχείου και της καθαριότητας.
- ♦ Αποσυνδέστε τη συσκευή και βγάλτε την από την πρίζα όταν μένει χωρίς επιτήρηση και πριν την αλλαγή των αξεσουάρ ή των σχετικών εξαρτημάτων που κινούνται κατά τη χρήση, πριν τη συναρμολόγηση, την αποσυναρμολόγηση ή την καθαριότητα
- ♦ Εάν έχει υποστεί βλάβη το καλώδιο

σύνδεσης στο ρεύμα, πρέπει να αντικατασταθεί και να μεταφέρετε τη συσκευή σε εξουσιοδοτημένο σέρβις τεχνικής εξυπηρέτησης πελατών. Για να μην εκτεθείτε σε κίνδυνο, μην προσπαθήσετε να αποσυναρμολογήσετε ή να επιδιορθώσετε τη συσκευή.

- ♦ Αυτή η συσκευή έχει σχεδιαστεί μόνο για οικιακή χρήση, όχι για επαγγελματική ή βιομηχανική χρήση.
- ♦ Πριν συνδέσετε τη συσκευή στο ρεύμα, ελέγξτε ότι η τάση που αναφέρεται στην πινακίδα σήμανσης συμπίπτει με την τάση του ρεύματος.
- ♦ Συνδέστε τη συσκευή σε βάση λήψης ρεύματος που αντέχει τουλάχιστον 10 αμπέρ.
- ♦ Το βύσμα της πρίζας της συσκευής πρέπει να συμπίπτει με την ηλεκτρική βάση λήψης ρεύματος. Μην αλλάζετε ποτέ το βύσμα της πρίζας. Μην χρησιμοποιείται μετασχηματιστές στο βύσμα της πρίζας.
- ♦ Η συσκευή πρέπει να χρησιμοποιείται και να διατηρείται σε επίπεδη και σταθερή επιφάνεια.
- ♦ Μη χρησιμοποιείτε τη συσκευή όταν το ηλεκτρικό καλώδιο ή το βύσμα έχουν υποστεί ζημιά.
- ♦ Εάν κάποιο από τα περιβλήματα της συσκευής σπάσει, αποσυνδέετε αμέσως τη συσκευή από το ρεύμα για να αποφύγετε πιθανότητα ηλεκτροπληξίας.
- ♦ Μη χρησιμοποιείτε τη συσκευή αν έχει πέσει στο δάπεδο, αν παρουσιάζει εμφανή φθορά ή διαρροή.
- ♦ Μην ασκείτε πίεση στο ηλεκτρικό καλώδιο. Ποτέ μη χρησιμοποιείτε το ηλεκτρικό καλώδιο για να σηκώσετε, να μεταφέρετε ή να αποσυνδέσετε τη συσκευή από την πρίζα.
- ♦ Μην αφήνετε το ηλεκτρικό καλώδιο σύνδεσης να σφηνώνει ή να διπλώνεται.
- ♦ Μην χρησιμοποιείτε ούτε να φυλάσσετε τη συσκευή σε εξωτερικούς χώρους.
- ♦ - Μην αγγίζετε το βύσμα σύνδεσης με υγρά χέρια.
- ♦ Λάβετε τα απαραίτητα μέτρα για να αποφύγετε τυχόν μη ηθελημένη θέση σε λειτουργία της συσκευής.
- ♦ Πριν χρησιμοποιήσετε τη συσκευή σιγουρευτείτε πως οι λεπίδες είναι καλά τοποθετημένες στη συσκευή.
- ♦ Μην αγγίζετε τα κινητά μέρη της συσκευής, όταν

λειτουργεί.

- ♦ Να είστε προσεκτικοί μετά την παύση λειτουργίας της συσκευής, επειδή η λεπίδα/οι λεπίδες θα συνεχίσει/ουν να γυρίζει/ουν λόγω της μηχανικής αδράνειας.

Χρήση και συντήρηση:

- ♦ Πριν από κάθε χρήση, ξετυλίξτε τελείως το καλώδιο τροφοδοσίας της συσκευής.
- ♦ Μη χρησιμοποιείτε τη συσκευή αν τα εξαρτήματά της δεν είναι σωστά συνταιριασμένα.
- ♦ Μη χρησιμοποιείτε τη συσκευή, εάν τα εξαρτήματα που τη συνοδεύουν παρουσιάζουν ελαττώματα. Φροντίστε να τα αντικαταστήσετε αμέσως.
- ♦ Μη χρησιμοποιείτε τη συσκευή με άδειο δοχείο.
- ♦ Μη χρησιμοποιείται τη συσκευή αν δεν λειτουργεί ο διακόπτης έναρξης/παύσης λειτουργίας.
- ♦ Μην μετακινείται τη συσκευή ενώ χρησιμοποιείται.
- ♦ Μην χρησιμοποιείται τη συσκευή κεκλιμένη ούτε να την αναποδογυρίζετε.
- ♦ Μην ζορίζετε τη δυνατότητα της συσκευής να δουλεύει.
- ♦ Να σέβεστε την ένδειξη της στάθμης MAX (1500 ml).
- ♦ Μην τοποθετήσετε πολύ ζεστά τρόφιμα ή τρόφιμα σε βρασμό στο δοχείο προκειμένου να αποφύγετε πιθανά εγκαύματα και, σε κάθε περίπτωση, να μην υπερβείτε το ήμισυ της χωρητικότητας του δοχείου. Επίσης, οι απότομες αλλαγές θερμοκρασίας θα μπορούσαν να σπάσουν το δοχείο.
- ♦ Διατηρήστε την παρούσα συσκευή μακριά από τα παιδιά ή/και τα άτομα με μειωμένες σωματικές, αισθητηριακές ή διανοητικές ικανότητες ή άτομα με ελλιπείς εμπειρίες ή γνώσεις.
- ♦ Διατηρείτε τη συσκευή σε καλή κατάσταση. Βεβαιωθείτε ότι τα κινητά μέρη παραμένουν ευθυγραμμισμένα ή δεν έχουν φρακάρει, ότι δεν υπάρχουν σπασμένα εξαρτήματα ή άλλες συνθήκες που μπορούν να επηρεάσουν την ορθή λειτουργία της συσκευής.
- ♦ Χρησιμοποιείτε αυτήν τη συσκευή, τα εξαρτήματα και εργαλεία της σύμφωνα με τις παρούσες οδηγίες, λαμβάνοντας υπόψη τις συνθήκες χρήσης καθώς και τη χρήση που θα γίνει. Η χρήση της συσκευής για διαφορετικές λειτουργίες από αυτές που προβλέπονται μπορεί να προκαλέσει επικίνδυνες καταστάσεις.
- ♦ Μη χρησιμοποιείτε ποτέ υγρά που βρίσκονται σε βρασμό.
- ♦ Ελέγξτε ότι το δοχείο είναι τελείως κλειστό πριν ανάψετε τη συσκευή.
- ♦ Χρησιμοποιείτε πάντα τη συσκευή υπό επίτηρηση.
- ♦ Να κρατάτε πάντα την άκρη του καπακιού όσο η συσκευή βρίσκεται σε χρήση.
- ♦ Μην αφήνετε ποτέ συνδεδεμένη τη συσκευή και χωρίς

επιτήρηση. Έτσι θα εξοικονομήσετε επίσης ενέργεια και θα επιμηκύνετε τη ζωή της συσκευής.

- ♦ Μη χρησιμοποιείτε τη συσκευή περισσότερο από 2 λεπτά συνεχόμενα. Σε περίπτωση που κάνετε κύκλους, να τηρείτε πάντα περιόδους παύσης 1 λεπτού τουλάχιστον μεταξύ των κύκλων. Σε καμία περίπτωση να μη θέτετε τη συσκευή σε λειτουργία για περισσότερο από τον αναγκαίο χρόνο.
- ♦ Μη χρησιμοποιείτε στεγνά, λιπαρά ή σκληρά μείγματα για περισσότερο από 10 συνεχόμενα δευτερόλεπτα. Αφήστε να κρυώσει η συσκευή σε θερμοκρασία δωματίου πριν την ξαναχρησιμοποιήσετε.
- ♦ Μη χρησιμοποιείται τη συσκευή για κατεψυγμένα τρόφιμα ή κόκαλα.
- ♦ Μετά από κάθε μέγιστη περίοδο χρήσης, αφήστε να κρυώσει η συσκευή σε θερμοκρασία δωματίου πριν την ξαναχρησιμοποιήσετε.
- ♦ ΠΡΟΕΙΔΟΠΟΙΗΣΗ: Μη χρησιμοποιείτε τη συσκευή αν το το κρύσταλλο είναι ραγισμένο ή σπασμένο.

Λειτουργία:

- ♦ Οποιαδήποτε μη ενδεδειγμένη χρήση ή χρήση αντίθετη προς τις οδηγίες χρήσης μπορεί να ενυψώσει κινδύνους, και ακυρώνει την εγγύηση και την ευθύνη του κατασκευαστή.

Περιγραφή

- A Δοσομετρητής
- B Καπάκι
- C Δακτύλιος σφραγίσματος
- D Δοχείο
- E Σετ μαχαιριών
- F Δακτύλιος στερέωσης μαχαιριών
- G Σώμα του μοτέρ
- H Διακόπτης επιλογής ταχύτητας
- I Λειτουργία Turbo/ Θραύση πάγου

Σε περίπτωση που το μοντέλο της συσκευής σας δεν διαθέτει τα εξαρτήματα που περιγράφονται παραπάνω, αυτά τα εξαρτήματα μπορείτε να τα αποκτήσετε μεμονωμένα από τις Υπηρεσίες τεχνικής συνδρομής.

Τρόπος λειτουργίας

Παρατηρήσεις πριν τη χρήση:

- ♦ Βεβαιωθείτε ότι έχετε αφαιρέσει όλα τα υλικά συσκευασίας του προϊόντος.
- ♦ Πριν χρησιμοποιήσετε το προϊόν για πρώτη φορά, καθαρίστε τα μέρη που έρχονται σε επαφή με τρόφιμα όπως περιγράφεται στην παράγραφο για την καθαριότητα.

Χρήση:

- ♦ Ξετυλίξτε τελείως το καλώδιο πριν συνδέσετε τη συσκευή στο ρεύμα.
- ♦ Βεβαιωθείτε ότι το σετ των μαχαιριών έχει στερεωθεί καλά στο δοχείο (περιστρέφοντάς το κατά την αντίθετη φορά των δεικτών του ρολογιού), πριν τοποθετήσετε το σώμα του μοτέρ. (Fig.1).
- ♦ Τοποθετήστε το δοχείο επάνω στη μονάδα του μοτέρ, προσπαθώντας να παραμείνει καλά στερεωμένο.
- ♦ Βάλτε τα υλικά, αφού τα έχετε τεμαχίσει στο δοχείο μαζί με υγρό (χωρίς να υπερβείτε το σημάδι της ανώτατης στάθμης).
- ♦ Τοποθετήστε το καπάκι στο δοχείο, και βεβαιωθείτε ότι έχει στερεωθεί καλά.
- ♦ Τοποθετήστε τον δοσομετρητή στο καπάκι.
- ♦ Συνδέστε τη συσκευή στο ηλεκτρικό δίκτυο.
- ♦ Θέστε τη συσκευή σε λειτουργία, ενεργοποιώντας τον διακόπτη επιλογής.
- ♦ Επιλέξτε την επιθυμητή ταχύτητα και αρχίστε να ανακατεύετε.
- ♦ Αν θέλετε να προσθέσετε κι άλλα υλικά, αφαιρέστε τον δοσομετρητή.
- ♦ Προσθέστε τα υλικά και ξαναβάλτε τον δοσομετρητή.
- ♦ Για να σταματήσετε τη συσκευή, επιλέξτε και πάλι την ταχύτητα «0».
- ♦ Για να αποφύγετε μια κάπως ξαφνική εκκίνηση, προτείνουμε να ξεκινήσετε τη λειτουργία με τον διακόπτη επιλογής ισχύος στη χαμηλότερη θέση, και μετά να την αυξήσετε προοδευτικά όταν η συσκευή έχει τεθεί σε λειτουργία.

Ηλεκτρονικός έλεγχος ταχύτητας:

- ♦ Είναι δυνατός ο έλεγχος ταχύτητας της συσκευής, πατώντας απλά τον διακόπτη για τον έλεγχο της ταχύτητας. Αυτή η λειτουργία είναι πολύ χρήσιμη επειδή επιτρέπει την προσαρμογή της ταχύτητας της συσκευής ανάλογα με το είδος εργασίας που χρειάζεται να πραγματοποιηθεί.

Αφού ολοκληρωθεί η χρήση της συσκευής:

- ♦ Αποσυνδέστε τη συσκευή από το ηλεκτρικό δίκτυο.
- ♦ Αφαιρέστε το δοχείο από το σώμα του μοτέρ.
- ♦ Καθαρίστε τη συσκευή.

«Παλμική» λειτουργία / Θραύση πάγου

- ♦ Η συσκευή λειτουργεί με τη μέγιστη ταχύτητα για να πετύχει την καλύτερη δυνατή απόδοση.
- ♦ Πατήστε αυτό το κουμπί για να ενεργοποιήσετε τη λειτουργία και αφήστε το κουμπί όταν θέλετε να τη

σταματήστε.

- ♦ Αυτή η λειτουργία έχει τα καλύτερα αποτελέσματα για τη θραύση πάγου, μέχρι το μέγεθος θραύσης που επιθυμείτε.
- ♦ Προτείνουμε να πατάτε τον διακόπτη σε κύκλους των 2 δευτερολέπτων και να επαναλάβετε τη λειτουργία μέχρι να επιτύχετε το επιθυμητό αποτέλεσμα.
- ♦ Για τη θραύση πάγου, μη βάζετε πάνω από 4 παγάκια τη φορά. Αν θέλετε να προσθέσετε περισσότερο πάγο, βγάλτε τον δοσομετρητή και προσθέστε τα παγάκια ένα ένα.

AD3503 μύλος:

- ♦ Ανοίξτε το καπάκι, στρίβοντάς το κατά την αντίθετη φορά των δεικτών του ρολογιού.
- ♦ Τοποθετήστε τα συστατικά μέσα στον μύλο (μόνο στεγνά συστατικά). Μην υπερβαίνετε τη μέγιστη χωρητικότητα του δοχείου.
- ♦ Κλείστε το καπάκι στρίβοντάς το κατά τη φορά των δεικτών του ρολογιού μέχρι να φτάσει στη θέση μπλοκαρίσματος. (Fig.2).
- ♦ Συνδέστε τη συσκευή στο ηλεκτρικό δίκτυο.
- ♦ Επιλέξτε την επιθυμητή ταχύτητα για να αρχίσετε να αλέθετε.
- ♦ Για να σταματήσετε τη συσκευή, επιλέξτε και πάλι την ταχύτητα «0».

Καθαριότητα

- ♦ Αποσυνδέστε τη συσκευή από το ρεύμα και αφήστε τη να κρυώσει πριν πραγματοποιήσετε οποιαδήποτε διαδικασία καθαρισμού.
- ♦ Καθαρίστε τη συσκευή με ένα υγρό πανί, βρεγμένο με μερικές σταγόνες απορρυπαντικού και μετά στεγνώστε τη.
- ♦ Μη χρησιμοποιείται διαλυτικά ούτε προϊόντα με όξινο ή αλκαλικό παράγοντα pH, όπως η χλωρίνη, ούτε λειαντικά προϊόντα για τον καθαρισμό της συσκευής.
- ♦ Μην αφήσετε να εισχωρήσει νερό ή άλλο υγρό από τα ανοίγματα εξερισμού για να αποφύγετε ζημιές στα λειτουργικά τμήματα στο εσωτερικό της συσκευής.
- ♦ Μην εμβαπτίζετε ποτέ τη συσκευή σε νερό ή άλλο υγρό, ούτε να τη βάζετε κάτω από τη βρύση.
- ♦ Κατά την διαδικασία καθαρισμού θα πρέπει να προσέχετε ιδιαίτερως τις λεπίδες διότι είναι πολύ μυτερές
- ♦ Αν η συσκευή δεν βρίσκεται σε καλή κατάσταση καθαριότητας, η επιφάνειά της μπορεί να χαλάσει και αυτό να επηρεάσει αναπόφευκτα τη διάρκεια ζωής της συσκευής και να οδηγήσει σε κατάσταση επικινδυνότητας.

- ♦ Τα ακόλουθα σκεύη μπορούν να καθαριστούν με ζεστό νερό με σαπούνι ή σε πλυντήριο πιάτων (χρησιμοποιείτε ένα ελαφρύ πρόγραμμα πλυσίματος):
 - Δοχείο.
 - Δοσομετρητής.
- ♦ Μη βάζετε το καπάκι στο πλυντήριο πιάτων ή σε βραστό νερό, επειδή μπορεί να παραμορφωθεί.
- ♦ Στεγνώστε όλα τα εξαρτήματα πριν συναρμολογήσετε και φυλάξτε τη συσκευή.

Λειτουργία EASY CLEAN:

- ♦ Βάλτε νερό και μικρή ποσότητα απορρυπαντικού στο δοχείο.
- ♦ Επιλέξτε τον τρόπο λειτουργίας «EASY CLEAN» πιέζοντας το κουμπί ανά 4 δευτερόλεπτα και επαναλάβετε τη διαδικασία, αν χρειαστεί.

Αφαιρούμενα μαχαίρια για αποτελεσματική καθαριότητα:

- ♦ Χαλαρώστε το σετ των μαχαιριών περιστρέφοντας το κατά τη φορά των δεικτών του ρολογιού. (Fig.3).
- ♦ Αφαιρέστε το σετ μαχαιριών και τον δακτύλιο σφράγισης και καθαρίστε τα. (Fig.4).
- ♦ Μετά την καθαριότητα, ξαναβάλτε το μαχαίρι και περιστρέψτε τη στεφάνη σπέρωσης κατά την αντίθετη φορά.

Προβλήματα και επισκευές

- ♦ Σε περίπτωση βλάβης, μεταφέρετε τη συσκευή σε εγκεκριμένη υπηρεσία τεχνικής βοήθειας. Μην προσπαθήσετε να την αποσυναρμολογήσετε ή να την επισκευάσετε γιατί μπορεί να εκτεθείτε σε κίνδυνο.

ΕΓΓΥΗΣΗ ΚΑΙ ΤΕΧΝΙΚΗ ΥΠΟΣΤΗΡΙΞΗ

- ♦ Το παρόν προϊόν αναγνωρίζεται και προστατεύεται από τη νόμιμη εγγύηση συμμόρφωσης προς την ισχύουσα νομοθεσία. Για να διεκδικήσετε τα δικαιώματά ή συμφέροντά σας πρέπει να απευθυνθείτε σε οποιοδήποτε από τα επίσημα γραφεία μας τεχνικής υποστήριξης.
- ♦ Για να βρείτε το πιο κοντινό σε εσάς, ανατρέξτε στην ιστοσελίδα: <http://www.2helpu.com/>.
- ♦ Μπορείτε επίσης να ζητήσετε πληροφορίες, επικοινωνώντας μαζί μας (συμβουλευτείτε την τελευταία σελίδα του εγχειριδίου).
- ♦ Μπορείτε να «κατεβάσετε» από το διαδίκτυο το παρόν εγχειρίδιο οδηγιών και τις σχετικές ενημερώσεις του στο <http://www.2helpu.com/>.

Για τις εκδοχές ΕΕ της συσκευής και/ή εφόσον ισχύουν τα παρακάτω στη χώρα σας:

Οικολογία και ανακυκλωσιμότητα του προϊόντος

- ♦ Τα υλικά που απαρτίζουν τη συσκευασία αυτής της συσκευής, συμμετέχουν σε πρόγραμμα αποκομιδής, ταξινόμησης και ανακύκλωση τους. Αν θέλετε να απαλλαγείτε από αυτά τα υλικά, μπορείτε να χρησιμοποιήσετε τους δημόσιους κάδους που ενδείκνυνται για κάθε είδος υλικού.
- ♦ Το προϊόν δεν περιέχει συγκεντρώσεις ουσιών που μπορούν να θεωρηθούν επιζήμιες για το περιβάλλον.



Αυτό το σύμβολο σημαίνει ότι εάν θέλετε να απαλλαγείτε από το προϊόν, όταν έχει ολοκληρωθεί ο κύκλος ζωής του, οφείλετε να το εναποθέσετε, με τα κατάλληλα μέσα, στα χέρια ενός διαχειριστή αποβλήτων, εγκεκριμένου για την επιλεκτική συλλογή αποβλήτων ειδών

ηλεκτρικού και ηλεκτρονικού εξοπλισμού (ΑΗΗΕ).

Το παρόν προϊόν συμμορφώνεται με την οδηγία 2014/35/EK χαμηλής τάσης, με την οδηγία 2014/30/EK για την ηλεκτρομαγνητική συμβατότητα, με την οδηγία 2011/65/EE για τον περιορισμό της χρήσης ορισμένων επικίνδυνων ουσιών σε ηλεκτρικό και ηλεκτρονικό εξοπλισμό και με την οδηγία 2009/125/EK για τις απαιτήσεις οικολογικού σχεδιασμού όσον αφορά τα συνδεδεμένα με την ενέργεια προϊόντα.

СТАЦИОНАРНЫЙ БЛЕНДЕР VXJB1000E

Уважаемый клиент!

Благодарим за выбор аппарата торговой марки Black+Decker.

Он выполнен с применением передовых технологий, имеет элегантный дизайн, надежную конструкцию и превышает наиболее требовательные стандарты качества, что обеспечит полное соответствие вашим требованиям и продолжительный срок службы.

ИНСТРУКЦИЯ ПО ТЕХНИКЕ БЕЗОПАСНОСТИ

- ◆ Внимательно прочтите эту инструкцию перед включением электроприбора и сохраните ее для использования в будущем. Ненадлежащее соблюдение этой инструкции может быть причиной несчастного случая.
- ◆ Перед использованием очистите все части, которые будут контактировать с продуктами питания;
- ◆ Детям не разрешается использовать этот прибор. Храните прибор и его кабель вне досягаемости детей.
- ◆ Этот электроприбор может использоваться лицами с ограниченными физическими, сенсорными или умственными возможностями, а также лицами, не обладающими соответствующим опытом или знаниями, только под присмотром или после проведения инструктажа по безопасному использованию прибора и с пониманием связанных с ним опасностей;
- ◆ Прибор не является игрушкой. Необходимо следить за детьми, чтобы они не играли с ним.
- ◆ Будьте осторожны, если горячая жидкость заливается в кухонный комбайн или блендер, так как она может выплеснуться наружу из-за внезапного испарения.
- ◆ Так как лезвия острые, они могут причинить вред, будьте осторожны и избегайте прямого контакта с режущими краями ножей.
- ◆ Обратите особое внимание на ножи во время сборки и разборки прибора, при опорожнении чаши и чистке прибора.
- ◆ После использования, перед заменой принадлежностей или для доступа к подвижным деталям, для операций разборки, сборки или чистки обязательно выключайте прибор и отключайте его от сети;
- ◆ Поврежденный сетевой шнур подлежит замене в авторизованном сервисном центре. Не допускается разбирать или ремонтировать прибор, поскольку это небезопасно.
- ◆ Этот прибор предназначен

только для домашнего, а не профессионального или промышленного использования;

- ♦ Прежде чем включить электроприбор, убедитесь, что напряжение на этикетке соответствует напряжению в сети.
- ♦ Подключите электроприбор к розетке, рассчитанной на ток не менее 10 ампер.
- ♦ Сетевая вилка должна подходить к розетке. Не допускается вносить изменения в вилку сетевого шнура. Не допускается также использовать переходники для розетки;
- ♦ рабочее место, где используется прибор, должно быть чистым и хорошо освещенным. Беспорядок и недостаточное освещение могут стать причиной несчастного случая.
- ♦ во время использования прибор должен быть недоступен для детей и посторонних лиц.
- ♦ чтобы использовать прибор, его нужно установить на ровную и устойчивую поверхность;
- ♦ Не допускается эксплуатировать электроприбор с поврежденным шнуром или вилкой питания.
- ♦ при любом повреждении корпуса электроприбора немедленно отключите его от сети, чтобы не допустить поражения электрическим током;
- ♦ Не допускается использовать прибор после падения на пол, если на нем имеются видимые следы повреждений или протечка.
- ♦ Не тяните шнур питания. Не допускается использовать шнур питания, чтобы поднимать или переносить электроприбор, вынимать вилку из розетки, потянув за шнур.
- ♦ Не накручивайте сетевой шнур на прибор.
- ♦ Не допускается пережимать или сильно сгибать шнур питания.
- ♦ Проверьте состояние шнура питания. Поврежденный или запутанный шнур может быть причиной поражения электрическим током.
- ♦ Данный прибор не предназначен для использования вне дома.
- ♦ Сетевой шнур нужно периодически проверять, чтобы не допустить использование прибора с поврежденным шнуром питания.
- ♦ Не допускается использовать или хранить электроприбор на открытом воздухе.
- ♦ - Не оставляйте прибор под дождем или во влажном месте. Если в прибор попадет вода, это может стать причиной поражения электрическим током;

- ♦ Не прикасайтесь к вилке влажными руками.
- ♦ примите все меры к тому, чтобы прибор не мог быть запущен случайным образом;
- ♦ Перед включением убедитесь в том, что ножи прочно закреплены на приборе.
- ♦ не прикасайтесь к подвижным частям во время работы прибора.
- ♦ Будьте осторожны после выключения прибора, так как ножи будут продолжать вращаться по инерции.

Использование и уход

- ♦ Перед каждым использованием полностью разворачивайте сетевую кабель.
- ♦ Не допускается эксплуатировать прибор, если принадлежности установлены недостаточно надежно.
- ♦ не используйте прибор с неисправными принадлежностями. Их следует немедленно установить правильно.
- ♦ Не используйте прибор, если чаша пуста.
- ♦ Не допускается эксплуатировать электроприбор с неисправным выключателем питания.
- ♦ Не перемещайте прибор во время использования.
- ♦ Для перемещения или удержания электроприбора используйте его ручку.
- ♦ Не допускается использовать прибор в наклонном положении;
- ♦ Не переворачивайте прибор, если он используется или подключен к сети.
- ♦ Не перегружайте прибор;
- ♦ Соблюдайте указатель уровня MAX (1500 мл).
- ♦ Если вы используете горячие жидкости, не заполняйте чашу более, чем наполовину. Каждый раз, когда вы смешиваете горячие жидкости в чаше, выбирайте самую низкую скорость.
- ♦ Не добавляйте в кувшин горячую или кипящую пищу во избежание возможных ожогов, и в любом случае не допускайте того, чтобы она превышала половину емкости кувшина. Кроме того, резкие температурные контрасты могут сломать кувшин.
- ♦ Храните этот прибор вне досягаемости детей и/или лиц с ограниченными физическими, сенсорными или умственными возможностями, а также тех, кто не знаком с правилами его использования.
- ♦ храните прибор в сухом, защищенном от пыли и солнечных лучей месте;
- ♦ Убедитесь, что пыль, грязь или другие посторонние объекты не блокируют вентиляционную решетку прибора.

- ♦ Поддерживайте прибор в надлежащем рабочем состоянии. Проверьте, чтобы не было перекосов и заедания подвижных частей, не было поломанных деталей и прибор работал исправно;
- ♦ Любое несоответствующее использование прибора или несоблюдение инструкций по эксплуатации освобождают производителя от гарантийных обязательств по ремонту, а также снимают ответственность с изготовителя. Несоблюдение норм безопасности может привести к несчастному случаю.
- ♦ Никогда не используйте кипящие жидкости.
- ♦ Перед включением прибора убедитесь, что крышка закрыта должным образом.
- ♦ Во время использования никогда не оставляйте прибор без присмотра.
- ♦ Всегда придерживайте край крышки во время работы блендера.
- ♦ не оставляйте включенный электроприбор без присмотра. Это сохранит электроэнергию и продлит срок его службы.
- ♦ Не используйте прибор более, чем 2 минуты за раз. В случае работы по циклам делайте перерыв в работе прибора по крайней мере на 1 минуту между циклами. Ни при каких обстоятельствах прибор не должен работать дольше, чем это необходимо.
- ♦ Не смешивайте сухие, густые или тяжелые смеси более 10 секунд без перерыва. Дайте прибору остыть до достижения им комнатной температуры перед тем, как продолжить работу с прибором.
- ♦ Не используйте прибор для переработки замороженных продуктов или костей
- ♦ Каждый раз, когда прибор работает максимально возможное время, дайте ему остыть до достижения комнатной температуры перед тем, как продолжить работу с прибором.
- ♦ ВНИМАНИЕ: Не используйте прибор, если стекло треснуто или разбито.

Сервисное обслуживание:

- ♦ Ремонтировать прибор разрешается только квалифицированным специалистам с использованием только оригинальных запасных частей.
- ♦ Любое неправильное использование или несоблюдение инструкций автоматически приводит к аннулированию гарантии и снятию ответственности производителя.

Описание

- A Мерный стакан
- B Крышка чаши

- C Герметичное кольцо для чаши
- D Чаша
- E Ножи
- F Фиксирующее кольцо для ножей
- G Корпус двигателя
- H Регулятор скорости
- I Турбо/ функция для измельчения льда

Если ваша модель не укомплектована нужной вам принадлежностью, ее можно приобрести отдельно через службу технической поддержки.

Инструкция по эксплуатации

Перед использованием:

- ♦ Убедитесь в том, что вы полностью распаковали прибор.
- ♦ перед первым использованием очистите все части, которые будут контактировать с продуктами питания, как описывается в разделе, посвященном чистке.

Использование:

- ♦ Полностью разверните кабель перед подключением к сети.
- ♦ Прежде чем устновить корпус двигателя, убедитесь в том, что набор ножей правильно закреплен на чаше (повернув против часовой стрелки). (Fig.1).
- ♦ Поставьте чашу на корпус мотора, пока она не встанет на место.
- ♦ Поместите ингредиенты, нарезанные до этого на маленькие кусочки, в чашу с жидкостью (не превышайте максимальную отметку).
- ♦ Накройте чашу крышкой, убедитесь, что она надежно закреплена.
- ♦ Поместите мерный стакан на чашу.
- ♦ Подключите прибор к сети.
- ♦ Включите прибор, используя регулятор режимов.
- ♦ Выберите желаемую скорость и начните смешивание.
- ♦ Если вы хотите добавить больше ингредиентов, вытащите мерный стакан.
- ♦ Добавьте ингредиенты и поместите мерный стакан обратно.
- ♦ Для остановки прибора, верните скорость обратно в положение «0».
- ♦ Чтобы избежать резкого запуска вентилятора, рекомендуется начать с самой низкой скорости и уже после того, как вентилятор был включен, постепенно увеличивать скорость до нужной.

Электронный контроль скорости:

- ♦ Скорость прибора может регулироваться с помощью регулятора скорости. Эта функция очень полезна, так как позволяет адаптировать скорость работы прибора к типу работы, которую необходимо выполнить.

После использования:

- ♦ Отключите прибор от сети.
- ♦ Отсоедините кувшин от корпуса двигателя.
- ♦ Очистите прибор.

«Пульсирующая / для измельчения льда» функция

- ♦ Прибор работает на максимальной скорости для достижения оптимальной производительности.
- ♦ Нажмите это кнопку, когда хотите использовать эту функцию, и отпустите кнопку для остановки этого режима.
- ♦ Эта функция приносит оптимальный результат при измельчении льда до желаемого состояния.
- ♦ Рекомендуется нажимать эту кнопку с интервалом в 2 секунды и повторять до тех пор, пока вы не достигнете желаемого результата.
- ♦ Чтобы измельчить кубики льда, кладите не более 4 кубиков льда за один раз. Если вы хотите добавить больше льда, выньте мерный стакан и добавляйте по одному кубику льда.

Как только вы закончили работу с измельчителем:

- ♦ Выберите значение «0» на регуляторе скоростей.
- ♦ Отключите электроприбор от сети.
- ♦ Снимите измельчитель с корпуса прибора.
- ♦ Поверните крышку против часовой стрелки, чтобы она открылась
- ♦ Очистите прибор.

Очистка

- ♦ Отсоедините прибор от сети после использования, чтобы он остыл перед чисткой.
- ♦ Очистите прибор, используя влажную ткань и несколько капель чистящей жидкости, а затем сухую ткань.
- ♦ Не допускается использовать растворители или продукты на основе кислоты или с высоким уровнем pH, например, отбеливатель, а также абразивные чистящие вещества.

- ♦ Не допускайте попадания внутрь через отверстия для прохождения воздуха воды или иной жидкости, чтобы не повредить внутренние части.
- ♦ Не помещайте электроприбор в воду или иную жидкость, а также под струю воды.
- ♦ Во время чистки прибора необходимо быть особенно осторожным с острыми насадками-ножами.
- ♦ если прибор не будет содержаться в чистом состоянии, его поверхность может быть повреждена, срок службы сокращен или даже его использование станет небезопасным;
- ♦ вы можете мыть в посудомоечной машине следующие части:
 - Чаша
 - Мерный стакан
- ♦ Не кладите крышку в посудомоечную машину или кипящую воду, так как она может деформироваться.
- ♦ Затем просушите все части перед сборкой.

Функция ЛЕГКАЯ ОЧИСТКА:

- ♦ Налейте воду и небольшое количество жидкости для мытья посуды в чашу.
- ♦ Выберите функцию «ЛЕГКАЯ ОЧИСТКА», нажимая кнопку по циклам в 4 секунды и, если это необходимо, повторите операцию

Съемные ножи для эффективной чистки:

- ♦ Открутите фиксирующее кольцо для ножей, поворачивая его по часовой стрелке. (рис.3)
- ♦ Удалите набор ножей и фиксирующее кольцо и почистите их. (Fig.4).
- ♦ После чистки установите ножи на место и поверните фиксирующее кольцо в обратном направлении.

Неисправности и ремонт

- ♦ В случае неисправности отнесите электроприбор в сервисный центр. Не пытайтесь самостоятельно ремонтировать электроприбор — это может быть опасно.

ГАРАНТИЯ И ТЕХНИЧЕСКАЯ ПОДДЕРЖКА

- ♦ Этот продукт защищен юридической гарантией в соответствии с действующим законодательством. Чтобы обеспечить соблюдение ваших прав или интересов, вы должны обратиться в любую из наших официальных служб по технической поддержке клиентов.

- ♦ Вы можете найти ближайшие из центров, пройдя по следующей веб-ссылке: <http://www.2helpu.com/>.
- ♦ Вы также можете запросить соответствующую информацию, связавшись с нами (см. последнюю страницу руководства).
- ♦ Вы можете скачать это руководство и обновления к нему по адресу <http://www.2helpu.com/>.

Для изделий в версии ЕС и/или, если этого требует законодательство в вашей стране:

Экология и вторичное использование

- ♦ Материалы упаковки прибора принимаются системой сбора и сортировки материалов для вторичного их использования. Для утилизации используйте бытовые контейнеры для каждого типа мусора.
- ♦ В изделии нет веществ в концентрациях, которые считаются вредными для окружающей среды.



Этот значок означает, что после окончания срока службы для утилизации электроприбора отнесите его в пункт сбора электрических и электронных отходов (WEEE)

Этот прибор выполнен в соответствии с Директивой по низковольтному оборудованию 2014/35/EU, Директивой по электромагнитной совместимости 2014/30/EU, Директивой 2011/65/EU, ограничивающей использование некоторых опасных веществ в электрическом и электронном оборудовании, а также Директивой 2009/125/EC по экологическим требованиям к изделиям, потребляющим энергию.

BLENDER CU VAS BXJB1000E

Stimate client,

Vă mulțumim pentru că ați cumpărat un produs marca Black+Decker.

Datorită tehnologiei sale, designului și modului de funcționare, precum și faptului că depășește cele mai stricte standarde de calitate, se poate garanta o utilizare complet satisfăcătoare și de lungă durată a produsului.

RECOMANDĂRI ȘI AVERTIZĂRI PRIVIND SIGURANȚA

- ◆ Înainte de a porni aparatul, citiți cu atenție aceste instrucțiuni și păstrați-le pentru a le putea consulta în viitor. Nerespectarea acestor instrucțiuni poate provoca un accident.
- ◆ Înainte de utilizare, curățați toate componentele produsului care vor fi în contact cu alimentele, așa cum este indicat în secțiunea de curățare.
- ◆ Acest aparat nu trebuie utilizat de copii. Nu lăsați aparatul și cablul acestuia la îndemâna copiilor.
- ◆ Acest aparat poate fi utilizat de către persoane cu capacități fizice, senzoriale sau mentale reduse sau fără experiență și cunoștințe în cazul în care acestora li se asigură supraveghere sau au fost instruite cu privire la utilizarea aparatului într-un mod sigur și înțeleg pericolele implicate.
- ◆ Acest aparat nu este o jucărie. Copiii trebuie supravegheați, pentru a vă asigura că nu se joacă cu aparatul.
- ◆ În cazul în care turnați în aparatul de procesare a alimentelor sau în blender lichid fierbinte, fiți atent, întrucât acesta poate fi aruncat afară din aparat, datorită aburilor formați brusc.
- ◆ Lamele sunt ascuțite și pot răni; fiți atent și evitați contactul direct cu marginile tăietoare ale lamelor.
- ◆ Fiți deosebit de atent când manevrați lamele, în timpul operațiilor de asamblare și de dezasamblare, la golirea vasului și în timpul curățării.
- ◆ Opriti întotdeauna aparatul și deconectați-l de la sursa de curent dacă este lăsat nesupravegheat și înainte de schimbarea accesoriilor sau de apropierea de piesele care sunt în mișcare în timpul utilizării, înainte de asamblare, dezasamblare sau curățare.
- ◆ În cazul în care conexiunea la rețeaua de alimentare a fost avariata, aceasta trebuie înlocuită, iar aparatul trebuie dus la un service de asistență tehnică autorizat. Nu încercați să dezamblați sau să reparați aparatul pe cont propriu, pentru a evita pericolele.
- ◆ Acest aparat este destinat numai pentru utilizarea în gospodărie și nu pentru utilizări profesionale sau industriale.
- ◆ Înainte de a brânza aparatul, verificați dacă tensiunea de pe plăcuța de identificare a aparatului corespunde celei de la rețeaua de alimentare.
- ◆ Conectați aparatul la o priză cu împământare de minim

10 amperi.

- ◆ Ștecărul aparatului trebuie să intre corect în priză. Nu modificați ștecărul. Nu utilizați adaptoare pentru ștecăre.
- ◆ Păstrați zona de lucru curată și iluminată corespunzător. Zonele înghesuite și întunecate prezintă risc de accidente.
- ◆ Țineți copiii și alte persoane la distanță atunci când utilizați aparatul.
- ◆ Aparatul trebuie utilizat și amplasat pe o suprafață plană și stabilă.
- ◆ Nu utilizați aparatul dacă acesta are ștecherul sau cablul de alimentare deteriorat.
- ◆ Dacă una din părțile carcasei aparatului se sparge, deconectați imediat aparatul de la rețea, pentru a preveni posibilitatea unui șoc electric.
- ◆ Nu utilizați aparatul dacă a fost scăpat pe podea, dacă există semne vizibile de deteriorare sau dacă prezintă scurgeri.
- ◆ Nu forțați cablul de alimentare. Nu utilizați niciodată cablul electric pentru a ridica, transporta sau decupla aparatul.
- ◆ Nu înfășurați cablul electric în jurul aparatului.
- ◆ Nu prindeți cu cleme și nu pliați cablul de alimentare.
- ◆ Verificați starea cablului de alimentare. Cablurile deteriorate sau încurcate măresc riscul de electrocutare.
- ◆ Acest aparat nu este adecvat pentru utilizarea în exterior.
- ◆ Cablul de alimentare trebuie examinat regulat pentru semne de uzură, iar dacă acesta este deteriorat, aparatul nu trebuie utilizat.
- ◆ Nu utilizați și nici nu depozitați aparatul la exterior.
- ◆ - Nu lăsați aparatul în ploaie sau expus la umezeală. În cazul în care se infiltrează apă în interiorul aparatului, riscul de electrocutare va crește.
- ◆ Nu atingeți ștecherul cu mâinile ude.
- ◆ Luați măsurile necesare pentru a evita pornirea involuntară a aparatului.
- ◆ Înainte de a-l utiliza asigurați-vă că lama / lamele sunt bine fixate în aparat.
- ◆ Nu atingeți niciuna din piesele mobile ale aparatului în timp ce acesta este în funcțiune.
- ◆ Aveți grijă după efectuarea operației de oprire a aparatului, deoarece lama/lamele vor continua să se miște ca urmare a inerției mecanice.

Utilizare și îngrijire:

- ◆ Desfășurați complet cablul de alimentare al aparatului înainte de fiecare utilizare.
- ◆ Nu utilizați aparatul dacă accesoriile acestuia nu sunt

montate corespunzător.

- ◆ Nu utilizați aparatul dacă accesoriile atașate acestuia sunt defecte. Înlocuiți-le imediat.
- ◆ Nu folosiți aparatul atunci când cana este goală.
- ◆ Nu utilizați aparatul dacă întrerupătorul pornit/oprit nu funcționează.
- ◆ Nu mișcați aparatul în timpul utilizării.
- ◆ Utilizați mânerul aparatului pentru a-l apuca sau deplasa.
- ◆ Nu utilizați aparatul dacă este înclinat în sus și nu îl întoarceți.
- ◆ Nu răsturnați aparatul în timpul utilizării sau dacă este conectat la rețeaua de alimentare.
- ◆ Nu forțați capacitatea de lucru a aparatului.
- ◆ Respectați indicația de nivel MAX. (1.500 ml).
- ◆ Când folosiți lichide fierbinți, nu umpleți cana mai mult de jumătate. Întotdeauna, când amestecați lichide fierbinți în cană, selectați viteza minimă la selectorul de viteză.
- ◆ Nu adăugați alimente fierbinți sau fierte în cană, pentru a evita posibilele arsuri și, în orice caz, nu umpleți cana mai mult de jumătate. Mai mult, contrastele bruște de temperatură ar putea deteriora cana.
- ◆ Depozitați aparatul într-un loc care să nu fie la îndemâna copiilor și/sau a persoanelor cu capacități fizice, senzoriale sau mentale reduse, ori care nu au experiența sau cunoștințele necesare.
- ◆ Păstrați aparatul într-un loc uscat, lipsit de praf și care nu se află în lumina directă a soarelui.
- ◆ Asigurați-vă că praful, impuritățile sau alte obiecte străine nu blochează grilajul ventilatorului de pe aparat.
- ◆ Păstrați aparatul în stare bună. Verificați piesele mobile pentru a vedea dacă sunt nealiniate sau blocate și asigurați-vă că nu există piese rupte sau anomalii care pot afecta funcționarea corectă a aparatului.
- ◆ Utilizați aparatul, accesoriile și sculele sale conform acestor instrucțiuni. Țineți cont de condițiile de funcționare și de sarcina pe care o îndepliniți. Orice utilizare incorectă sau în dezechilibru cu instrucțiunile de utilizare poate implica un pericol.
- ◆ Nu folosiți niciodată lichide fierbinți.
- ◆ Capacul trebuie să fie închis în mod corespunzător înainte de a porni aparatul.
- ◆ Nu lăsați niciodată aparatul nesupravegheat în timp ce este folosit.
- ◆ Apucați întotdeauna marginea recipientului în timp ce utilizați blenderul.
- ◆ Nu lăsați niciodată aparatul conectat și nesupravegheat dacă nu este utilizat. Astfel se economisește energie și se prelungește durata de viață a aparatului.
- ◆ Nu utilizați aparatul mai mult de 2 minute odată. În cazul

utilizării în cicluri; faceți o pauză în funcționare a aparatului de cel puțin 1 minut între ele. În niciun caz, nu trebuie să folosiți aparatul mai mult decât este necesar.

- ♦ Nu amestecați compoziții uscate, groase sau grele pentru mai mult de 10 secunde continuu. Lăsați aparatul să se răcească la temperatura camerei înainte de a continua operarea aparatului din nou.
- ♦ Nu utilizați aparatul cu alimente congelate sau cele care conțin oase.
- ♦ După fiecare perioadă maximă de funcționare, lăsați aparatul să se răcească la temperatura camerei înainte de a continua operarea aparatului din nou.
- ♦ **ATENȚIE!** Nu utilizați aparatul dacă sticla este fisurată sau spartă.

Service:

- ♦ Asigurați-vă că lucrările de întreținere ale aparatului sunt efectuate doar de personal calificat și că sunt utilizate doar piese de schimb și accesorii originale pentru înlocuirea pieselor/accesoriilor existente.
- ♦ Orice utilizare necorespunzătoare sau nerespectarea instrucțiunilor determină garanția și responsabilitățile producătorului să devină nule și neavenite.

Descriere

A Cană de măsurat
 B Capacul recipientului
 C Inel de etanșare a vasului
 D Vas
 E Set de lame
 F Inel de fixare a lamei
 G Corpul motorului
 H Selector pentru viteză
 I Funcția „Turbo/Ice crush” (zdrobire gheață)

Dacă modelul aparatului dvs. nu are accesoriile descrise mai sus, acestea pot fi achiziționate și separat de la Service-ul de Asistență Tehnică.

Instrucțiuni de utilizare

Înainte de utilizare:

- ♦ Asigurați-vă că ați îndepărtat toate ambalajele produsului.
- ♦ Înainte de prima utilizare, curățați componentele care vor intra în contact cu alimentele în modul prezentat în secțiunea despre curățare.

Utilizare:

- ♦ Desfășurați complet cablul înainte de a-l introduce în priză.

- ♦ Asigurați-vă că setul de lame este fixat corespunzător de vas (rotind spre stânga) înainte de a-l așeza pe corpul motorului. (Fig. 1).
- ♦ Așezați cana pe corpul cu motor până când se fixează corespunzător în poziție.
- ♦ Puneți ingredientele împreună cu lichidul în recipient după ce, mai întâi le-ați tăiat în bucăți mici (nu depășiți reperul de maxim).
- ♦ Puneți capacul la recipient; verificați ca acesta să fie bine fixat pe locul său.
- ♦ Puneți cana de măsurare în capac.
- ♦ Conectați aparatul la rețeaua de alimentare.
- ♦ Porniți aparatul, folosind butonul de selecție.
- ♦ Alegeți viteza dorită și începeți să amestecați.
- ♦ Dacă doriți să adăugați mai multe ingrediente, scoateți cana de măsurare.
- ♦ Adăugați ingredientele și puneți la loc cana de măsurare.
- ♦ Pentru a opri aparatul, setați viteza înapoi la „0”.
- ♦ Pentru a evita pomirea în forță a ventilatorului, se recomandă să începeți de la poziția pentru viteza minimă și, după ce se cuplează ventilatorul, să măriți treptat viteza până la poziția dorită.

Comanda electronică a vitezei:

- ♦ Viteza aparatului poate fi reglată folosind comanda de reglare a vitezei. Această funcție este foarte utilă, pentru că face posibilă adaptarea puterii aparatului la tipul de sarcină care trebuie îndeplinită.

După ce ați terminat utilizarea aparatului:

- ♦ Scoateți aparatul din priză.
- ♦ Ridicați recipientul de pe corpul motorului.
- ♦ Curățați aparatul.

Funcția „Pulse/Ice crush” (zdrobire gheață)

- ♦ Aparatul funcționează la viteza maximă, pentru a obține performanțe optime.
- ♦ Apăsăți acest buton pentru a-l acționa și eliberați-l, atunci când doriți să-l opriți.
- ♦ Această funcție dă rezultate optime la zdrobirea gheții, până la granulația dorită.
- ♦ Se recomandă funcționarea prin apăsarea butonului în cicluri de câte 2 secunde și repetarea operației, până la obținerea rezultatului dorit.
- ♦ Pentru a zdrobi cuburi de gheață, nu puneți mai mult de 4 cuburi de gheață în același timp. Dacă doriți să adăugați mai multă gheață, scoateți cana gradată și introduceți cuburile de gheață consecutiv.

După ce ați terminat utilizarea unității rășniței:

- ♦ Selectați poziția „0” la selectorul vitezei.
- ♦ Deconectați aparatul de la rețea.
- ♦ Ridicați unitatea rășniței de pe corpul cu motor.
- ♦ Rotiți recipientul spre dreapta pentru a-l desface.
- ♦ Curățați aparatul.

Curățare

- ♦ Decuplați aparatul de la rețeaua de alimentare și lăsați-l să se răcească înaintea oricărei operații de curățare.
- ♦ Curățați aparatul cu o cârpă umedă și câteva picături de detergent lichid, apoi uscați-l.
- ♦ Nu utilizați solvenți sau produse cu pH acid sau bazic, precum înălbitori sau produse abrazive, pentru curățarea aparatului.
- ♦ Nu permiteți ca apa sau orice alt lichid să pătrundă în gurile de aerisire pentru a evita deteriorarea pieselor interne ale aparatului.
- ♦ Nu introduceți niciodată aparatul în apă sau în orice alt lichid și nu țineți aparatul sub jet de apă.
- ♦ În timpul procesului de curățare fiți foarte atenți la lame, deoarece sunt foarte ascuțite.
- ♦ Dacă aparatul nu este bine curățat, suprafața sa se poate deteriora, afectând în mod inevitabil durata sa de viață devenind nesigur pentru utilizare.
- ♦ Următoarele piese pot fi spălate în mașina de spălat vase (utilizând un program de curățare delicată):
 - Cană
 - Cană de măsurat
- ♦ Nu așezați recipientul într-o mașină de spălat vase sau în apă fierbinte, recipientul se poate deforma.
- ♦ Apoi uscați toate piesele înainte de asamblare și depozitare.

Funcția de CURĂȚARE UȘOARĂ

- ♦ Puneți în recipient apă și o cantitate mică de detergent lichid.
- ♦ Selectați funcția de „CURĂȚARE UȘOARĂ” prin apăsarea butonului în cicluri de câte 4 secunde și repetarea operației dacă este nevoie.

Lame detașabile, pentru curățarea eficientă

- ♦ Desprindeți inelul de fixare a lamei, rotindu-l în sens orar. (Fig.3).
- ♦ Îndepărtați setul de lame și inelul de etanșare și curățați-le. (Fig. 4).
- ♦ După curățare, puneți la loc setul de lame și rotiți inelul

de fixare a lamei în sens opus.

Anomalii și reparații

- ♦ Duceți aparatul la un service de asistență tehnică autorizat, dacă produsul este deteriorat sau apar alte probleme. Nu încercați să demontați sau să reparați singur aparatul, deoarece poate fi periculos.

GARANȚIE ȘI ASISTENȚĂ TEHNICĂ

- ♦ Acest produs beneficiază de recunoașterea și protecția garanției legale în conformitate cu legislația în vigoare. Pentru a vă exercita drepturile sau interesele, trebuie să vă adresați unuia dintre serviciile noastre oficiale de asistență tehnică.
- ♦ Puteți găsi cel mai apropiat serviciu de asistență tehnică accesând următorul link web: <http://www.2helpu.com/>.
- ♦ De asemenea, puteți solicita informații conexe, contactând-ne (consultați ultima pagină a manualului).
- ♦ Puteți descărca acest manual de instrucțiuni și actualizările sale la <http://www.2helpu.com/>.

Pentru versiunile UE ale produsului și/sau în cazul în care este obligatoriu în țară dvs.:

Ecologia și reciclabilitatea produsului

- ♦ Materialele din care este alcătuit ambalajul acestui produs sunt incluse într-un sistem de colectare, clasificare și reciclare. Dacă veți dori să le eliminați, utilizați pubelele publice corespunzătoare fiecărui tip de material.
- ♦ Produsul nu conține substanțe în concentrații care ar putea fi considerate dăunătoare pentru mediu.



Acest simbol semnifică faptul că, în cazul în care doriți să eliminați aparatul la încetarea duratei sale de funcționare, trebuie să îl duceți la un centru de colectare a deșeurilor autorizat, în vederea colectării selective a deșeurilor de echipamente electrice și electronice (DEEE).

Acest aparat respectă Directiva 2014/35/CE cu privire la echipamentele electrice destinate utilizării în cadrul unor anumite limite de tensiune, Directiva 2014/30/CE cu privire la compatibilitatea electromagnetică, Directiva 2011/65/UE privind restricțiile de utilizare a anumitor substanțe periculoase în echipamentele electrice și electronice și Directiva 2009/125/CE de instituire a unui cadru pentru stabilirea cerințelor în materie de proiectare ecologică aplicabile produselor cu impact energetic.

**МИКСЕР
VXJB1000E****Уважаеми клиенти,**

Благодарим Ви, че закупихте електроуред с марката Black+Decker.

Технологията, дизайнът и функционалността на същия, както и фактът, че той надвишава най-стриктните норми за качество ще Ви донесат пълно и дълготрайно задоволство от него.

**СЪВЕТИ И
ПРЕДУПРЕЖДЕНИЯ ЗА
БЕЗОПАСНОСТ.**

- ◆ Прочетете внимателно тази брошура, преди да пуснете уреда в действие. Запазете я за по-нататъшни справки. Несъобразяването с настоящите указания може да предизвика произшествие.
- ◆ Преди да използвате ел. уреда за първи път, почистете всички части, намиращи се в допир с хранителните продукти, следвайки упътванията от раздел "Почистяване".
- ◆ Уредът не трябва да се използва от деца. Дръжте апарата и щепсела му далеч от достъпа на деца.
- ◆ Този апарат може да се използва от лица с физически, сетивни и умствени увреждания или от лица, които нямат опит с управлението му, при условие, че са контролирани или са получили инструкции за безопасната употреба на апарата и разбират възможните рискове.
- ◆ Този уред не е играчка! Децата следва да се намират под надзор, така че да не си играят с уреда.
- ◆ Внимавайте при наливане на горещи течности в миксера, тъй като същите може да бъдат изхвърлени навън поради неочаквано изпускане на пара.
- ◆ Ножчетата са наточени и могат да причинят нараняване. Подходете внимателно и избягвайте пряк контакт с остриетата на ножчетата.
- ◆ Бъдете особено внимателни при боравенето с ножчетата, при дейностите по сглобяване и разглобяване, при изпразване на каната и по време на почистването.
- ◆ Изключвайте уреда от мрежата, както когато не е в употреба, така и преди смяна на принадлежностите или близко намиращи се части, които се движат по време на неговата употреба, монтаж, демонтаж или почистване.
- ◆ В случаите на повреден захранващ кабел, същият следва да се подмени. При такива случаи, моля отнесете уреда в оторизиран сервиз за техническо обслужване. С цел избягване

на произшествия, моля не поправяйте и не разглобявайте уреда.

◆ Този уред е предназначен единствено за битови нужди, а не за професионална или промишлена употреба.

- ◆ Преди да свържете уреда към мрежата, проверете, дали посоченото на табелката с техническите характеристики напрежение съвпада с напрежението на електрическата мрежа.
- ◆ Включете уреда в заземен източник на електрически ток, който да издържа най-малко 10 ампера.
- ◆ Щепселът на уреда следва да съвпада по вид с електрическия контакт. В никакъв случай не променяйте вида на щепсела. Не използвайте адаптори за щепсела.
- ◆ Уредът трябва да се постави и използва върху равна и стабилна повърхност.
- ◆ Не използвайте уреда при повреден кабел или щепсел.
- ◆ Ако някоя външна част на уреда се повреди, незабавно го изключете от захранващата мрежа, за да предотвратите опасността от електроудар.
- ◆ Моля не използвайте уреда, ако е падал или ако има видими следи от увреждане.
- ◆ Не упражнявайте сила върху електрическия кабел. В никакъв случай не използвайте електрическия кабел за повдигане, пренасяне или изключване на апарата.
- ◆ Не позволявайте електрическият кабел да бъде притиснат или да се прегъне.
- ◆ Не използвайте и не съхранявайте уреда на открито.
- ◆ Не пипайте щепсела за включване в мрежата с мокри ръце.
- ◆ Вземете необходимите мерки за да избегнете нежелано включване на електроуреда.
- ◆ Преди да използвате уреда, уверете се, че ножчето/ножчетата са добре закрепени.
- ◆ Не се докосвайте до движещите се части на уреда, докато се намира в работен режим.
- ◆ След спирането на уреда, бъдете внимателни, тъй като ножчетата продължават да се въртят по инерция.

Употреба и поддръжка :

- ◆ Преди употреба развийте напълно захранващия кабел на уреда..
- ◆ Не използвайте уреда при неправилно поставени приставки и филтри.
- ◆ Не използвайте уреда с дефектни принадлежности. Незабавно ги заменете.
- ◆ Не използвайте уреда, когато каната е празна.
- ◆ Не използвайте уреда при повреден бутон за вкл./изкл.
- ◆ Не движете уреда, докато работи.
- ◆ Не използвайте уреда наклонен, нито обърнат.
- ◆ Не надвишавайте работният капацитет на уреда.
- ◆ Не надвишавайте максималното ниво MAX (1500 мл.)
- ◆ Не поставяйте много горещи или врящи хранителни продукти в каната - можете за предизвикате изгаряния. При всички положения, избягвайте поставените продукти да надвишават половината от вместимостта на каната. Освен това, рязката промяна на температурата може да предизвика счупване на каната.
- ◆ Съхранявайте уреда далеч от достъпа на деца и/или хора с намалени физически, сензорни или умствени възможности, или от такива без опит и познания за боравене с него.
- ◆ Поддържайте уреда в добро състояние. Проверете дали подвижните части не са разцентровани или блокирани, дали няма счупени части и други подобни неизправности, които могат да повлияят на правилното функциониране на уреда.
- ◆ Използвайте този уред, както и приставките и инструментите към него като следвате тези инструкции, съобразявайки се с работните условия и престоящата за извършване дейност. Употребата на уреда за цели, различни от посочените може да доведе до опасни ситуации.
- ◆ В никакъв случай не използвайте врящи течности.
- ◆ Преди да пуснете уреда в действие, проверете дали капакът е добре затворен.
- ◆ Уредът следва винаги да се използва под надзор.
- ◆ Винаги придържайте ръба на капака, докато уредът е в работен режим.
- ◆ Никога не оставяйте включения уред без наблюдение. По този начин ще спестите енергия и ще удължите живота на ел.уреда.
- ◆ Не използвайте уреда повече от 2 последователни минути. В случай на осъществяването на цикли, моля винаги да се съобразявате с периодите на почивка за уреда най-малко от 1 минути. В никакъв случай не е препоръчително уредът да работи

повече от необходимото време.

- ♦ Не използвайте сухи, плътни или корави смески за повече от 10 последователни секунди. Преди да използвате уреда отново, моля оставете го да изстине до околната температура.
- ♦ Не използвайте уреда, ако продуктите не са размразени или съдържат костилки.
- ♦ Преди да използвате уреда отново, моля оставете уреда да изстине до околна температура след всеки максимален период на употреба, .
- ♦ **ВНИМАНИЕ!** Не използвайте уреда, ако стъклото е пукнато или счупено.

Обслужване на уреда:

- ♦ Неправилното използване на уреда или неспазването на указанията за работа с него е опасно, анулира гаранцията и освобождава производителя от отговорност.

Описание

- A Чашка за измерване
- B Капак
- C Уплътнение за уплътняване на капака
- D Кана
- E Набор ножчета
- F Крепежен пръстен за ножчетата
- G Корпус с вграден мотор
- H Селектор на скоростите
- I Функция "Turbo/ Ледотрошачка"

Ако Вашият модел уред няма някои от гореописаните приставки, може да ги закупите отделно в Сервизите за техническо обслужване.

Начин на употреба

Забележки преди употреба:

- ♦ Уверете се, че сте отстранили цялата опаковка от уреда.
- ♦ Преди да използвате ел. уреда за първи път, почистете всички части, намиращи се в допир с хранителните продукти, като следвате указанията в раздел "Почистяване".

Употреба:

- ♦ Преди употреба развийте напълно хранящия кабел на уреда.
- ♦ Преди да го поставите в двигателния блок, моля подсигурете се, че наборът ножчета е добре закрепен на каната, като го завъртите в посока,

обратна на часовниковата стрелка. (Fig.1).

- ♦ Поставете каната в моторния блок, като се подсигурите, че е добре закрепена.
- ♦ Поставете предварително нарязаните на дребно продукти в каната с течност (не превишавайте обозначеното максимално ниво).
- ♦ Поставете капака върху каната като внимавате да пасне правилно.
- ♦ Поставете чашката за измерване върху капака.
- ♦ Включете уреда в електрическата мрежа.
- ♦ Пуснете уреда в действие чрез задвижване на селектора на скоростите.
- ♦ Изберете желаната скорост и започнете да смесвате.
- ♦ Ако желаете да добавите още продукти, отстранете чашката за измерване.
- ♦ Добавете продуктите и отново поставете чашката.
- ♦ За да спрете уреда, поставете превключвателя на позиция "0".
- ♦ С цел избягване прекалено рязко задвижване, препоръчва се да уредът да се задвижи с поставен на минимум контролер, след което мощността да се увеличава постепенно след задвижване на уреда.

Електронно регулиране на скоростта:

- ♦ Може да регулирате скоростта на уреда само с натискане на съответния бутон. Тази функция е много полезна, тъй като Ви позволява да изберете скоростта в зависимост от вида работа, която желаете да извършите.

След приключване на работата с уреда, направете следното:

- ♦ Изключете уреда от хранящата мрежа.
- ♦ Отстранете каната от корпуса с двигателя.
- ♦ Почистете уреда.

Функция „Натисни / Ледотрошачка“

- ♦ С цел постигане оптимална ефективност, уредът работи на максимална скорост.
- ♦ Натиснете този бутон, за да включите горната функция, а когато желаете да я преустановите, отпуснете бутона.
- ♦ Тази функция дава възможно най-добри резултати за натрошаване на леда до желаната от Вас степен.
- ♦ Препоръчва се да работите, като натискате бутона за периоди от 2секунди, като повтаряте тази операция до постигането на желания резултат.
- ♦ При трошене на лед не поставяйте повече от 4

кубчета наведнъж. Ако желаете да добавите повече лед, отстранете мерителната чаша и поставете кубчетата едно по едно.

Мелничка AD3503:

- ♦ Отворете капака, завъртайки го в посока, обратна на часовниковата стрелка.
- ♦ Поставете продуктите в мелничката (само сухи продукти). Не надвишавайте максималната вместимост на купичката.
- ♦ Затворете капака, завъртайки го в посока на часовниковата стрелка, докато напасне добре. (Fig.2).
- ♦ Включете уреда в електрическата мрежа.
- ♦ Преди да започнете смилането, изберете желаната скорост.
- ♦ За да спрете уреда, поставете превключвателя на позиция "0".

Почистване

- ♦ Преди почистване, изключете уреда от захранващата мрежа и го оставете да изстине.
- ♦ Почистете уреда с влажна кърпа, напоена с няколко капки миещ препарат, след което го подсушете.
- ♦ За почистването на уреда не използвайте разтворители и препарати с киселинен или основен рН фактор, като например белина и абразивни продукти.
- ♦ Не допускате проникването на вода през вентилационните отвори; в противен случай може да предизвикате повреда на работните части във вътрешността на уреда.
- ♦ Не потапяйте уреда във вода или друга течност и не го поставяйте под течаща вода.
- ♦ По време на почистването на уреда, бъдете особено внимателни с ножчетата, защото са изключително остри.
- ♦ Ако не поддържате уреда чист, повърхността му може да се повреди и това да съкрати безвъзвратно експлоатационния му живот, а също и да стане причина за рискова ситуация.
- ♦ Следните части могат да се мият в топла сапунена вода или в миялна машина (използвайте мека програма за миене):
 - Кана.
 - Чаша за измерване.
- ♦ Моля, не поставяйте капака в миялната машина или във вряща вода, тъй като може да се деформира.
- ♦ След това, подсушете добре всички части, поставете ги обратно и съхранете уреда.

Функция PULSE/ EASY CLEAN

- ♦ Поставете в каната топла вода и малко течен сапун.
- ♦ Изберете функция "EASY CLEAN", като натиснете бутона за цикли за 4 секунди и, ако е необходимо, повторете тази операция.

С цел пълноценно измиване, ножчетата могат да се изваждат.

- ♦ Разхлабете набора ножчета, завъртайки го по посока на часовниковата стрелка. (Fig.3).
- ♦ Извадете набора ножчета и уплътнението, след което ги почистете. (Fig.4).
- ♦ След почистването, поставете отново ножчето и завъртете пръстена в обратна посока.

Неизправности и ремонт

- ♦ В случай на неизправност, моля отнесете уреда в оторизиран сервис за техническо обслужване. Моля не се опитвайте да разглобявате уреда или пък да го поправяте - това е опасно.

ГАРАНЦИЯ И ТЕХНИЧЕСКИ СЕРВИЗ

- ♦ Настоящият продукт има законна гаранция, в съответствие с действащото законодателство. Ако желаете да упражните правата си на потребител следва да се насочите към някой от нашите оторизирани сервизи.
- ♦ Най-близкия до Вас сервис можете да откриете на следния линк: <http://www.2helpu.com/>
- ♦ Също така, можете да потърсите информация, свързвайки се с нас (вижте на последната страница на наръчника).
- ♦ Наръчника с указания и неговите осъвременявания можете да свалите на следния <http://www.2helpu.com/>.

За разновидностите в Европейския съюз на това изделие и/или в случая, приложим за Вашата страна:

Опазване на околната среда и рециклиране на изделието.

- ♦ Материалите, от които изработена опаковката на този електроуред са включени в системата за тяхното събиране, класифициране и рециклиране. Ако желаете да се освободите от тях, използвайте обществените контейнери, пригодени за всеки отделен вид материал.
- ♦ В изделието отсъстват концентрации на вещества,

които могат да бъдат определени като вредни за околната среда.



Този символ означава, че ако желаете да се освободите от уреда след изтичане на експлоатационния му живот трябва да го предадете по подходящ начин на фирма за преработка на отпадъци, оторизирана за разделно събиране на отпадъци от електрическо и електронно оборудване (ОЕЕО).

Настоящият уред изпълнява Директива 2014/35/UE за ниски напрежения, Директива 2014/30/UE за електромагнетично съответствие и с Директива 2011/65/EU за ограниченията при употреба на някои определени опасни вещества в електрически и електронни апарати и с Директива 2009/125/CE за изискванията за екологичен дизайн, приложими към изделия, свързани с енергия.

België/Belgique	Stanley Black & Decker Belgium BVBA Egide Walschaertsstraat 16 2800 Mechelen	www.blackanddecker.be enduser.BE@SBDinc.com Tel - NL. +32 15 47 37 65 Tel – FR. +32 15 47 37 66
Bulgaria	Stanley Black&Decker Polska Bucharest Branch Phoenicia Business Center Turturelelor Street, No 11A, 6th Floor,Module 15, 3rd District. Bucharest (Romania)	office.bucharest@sbdinc.com Tel. +4021.320.61.04.
Česká Republika	Stanley Black & Decker Czech Republic s.r.o. Chodov Türkova 2319/5b 149 00 Praha 4 Česká Republika	www.blackanddecker.cz recepce@blackanddecker.cz Tel: 261 009 782
Danmark	Stanley Black & Decker Denmark Roskildevej 22 2620 Albertslund	www.blackanddecker.dk kundeservice.dk@sbdinc.com Tel. 70 20 15 10 Fax. 70 22 49 10
Deutschland	Stanley Black & Decker Deutschland GmbH Black & Decker Str. 40, D - 65510 Idstein	www.blackanddecker.de infobfge@sbdinc.com Tel. 06126 21-0 Fax 06126 21-2980
Ελλάδα	Black & Decker ΕΛΛΑΣ ΕΔΡΑ-ΓΡΑΦΕΙΑ : Σπράβωνος 7 & Λ. Βουλιαγμένης. 166 74 Γλυφάδα - Αθήνα SERVICE : Ημερος Τόπος 2 (Χάνι Αδάμ) - 193 00 Ασπρόπυργος	www.blackanddecker.gr Greece.Service@sbdinc.com Τηλ: 00302108981616 Φαξ: 00302108983570
España	Engineering and Technology for Life Spain Avenida Barcelona s/n 25790 Oliana (Lleida)	www.blackanddecker.es service.spain@etforlife.com
France	Engineering and Technology for Life France 6 rue de l'Industrie Z.I des Sablons 89100 Sens	www.blackanddecker.fr service.france@etforlife.com
Helvetia	ROFO AG Gewerbezone Seeblick 3213 Kleinbösingen	www.blackanddecker.ch service@rofoag.ch Tel. 026 674 93 93 Fax 026 674 93 94
Hungary	Stanley Black & Decker Hungary Kft. Meszaros u. 58/B 1016 Budapest (Hungary)	www.blackanddecker.hu Tel: 1.6 225-1661 / 62
Italia	Stanley Black & Decker Italia Via Energy park 6 c/o Energy park Building 3 sud 20871 Vimercate (MB)	www.blackanddecker.it service.italia@blackdecker.com Tel. 800-213935 Fax 039-9590313
Nederland	Stanley Black & Decker Netherlands BV Holtum Noordweg 35 6121 RE BORN Postbus 83. 6120 AB BORN	www.blackanddecker.nl enduser.NL@SBDinc.com Tel. +31 164 283 065 Fax +31 164 283 200
Norge	Stanley Black & Decker Norway AS Gullhaugveien 11, 0484 Oslo PB 4613, Nydalen, 0405 Oslo	www.blackanddecker.no kundeservice.no@sbdinc.com Tlf. 22 90 99 10 Fax 45 25 08 00

Österreich	Stanley Black & Decker Austria GmbH Oberlaaerstraße 248, A-1230 Wien	www.blackanddecker.at service.austria@sbdinc.com Tel. 01 66116-0 Fax 01 66116-614
Polska	Stanley Black & Decker Polska SP.z.o.o ul. Postepu 21D 02-676 Warszawa Polska	www.blackanddecker.pl reception.warsaw@sbdinc.com Tel: 22 4642700
Portugal	Engineering and Technology for Life Portugal Avenida Rainha D. Amélia, n°12-B 1600-677 Lisboa	www.blackanddecker.pt service.portugal@etforlife.com
Romania	Stanley Black&Decker Polska Bucharest Branch Phoenicia Business Center Turturelelor Street, No 11A, 6th Floor,Module 15, 3rd District. Bucharest (Romania)	office.bucharest@sbdinc.com Tel. +4021.320.61.04.
Slovenija	G-M&M, proizvodnja in marketing, d.o.o. Brvace 11 1290 Grosuplje (Slovenija)	G-M&M, proizvodnja in marketing, d.o.o. Brvace 11 1290 Grosuplje (Slovenija)
Suomi	Stanley Black & Decker Finland Oy Kumpulantie 13B, 00520 Helsinki PL 47, 00521 Helsinki	www.blackanddecker.fi asiakaspalvelu.fi@sbdinc.com Puh. 010 400 43 33 Faksi 0800 411 340
Sverige	Stanley Black & Decker Sweden AB Flöjelbergsgatan 1c, 431 35 Mölndal Box 94, 431 22 Mölndal	www.blackanddecker.se kundservice.se@sbdinc.com Tel. 031-68 60 60 Fax 031-68 60 80
United Kingdom & Republic Of Ireland	"Black & Decker Slough, Berkshire SL1 3YD 210 Bath Road "	www.blackanddecker.co.uk emeaservice@sbdinc.com Tel. 01753 511234