

BLACK+ DECKER™

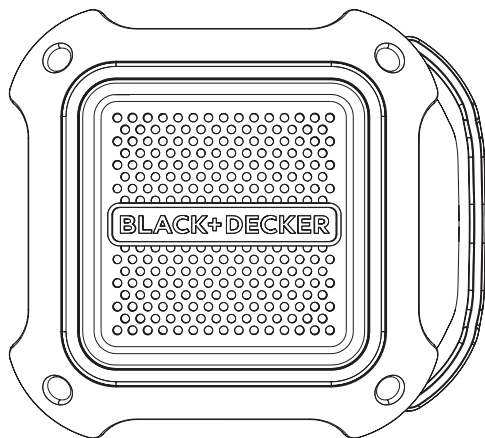
20V MAX*  Bluetooth® SPEAKER

INSTRUCTION MANUAL

CATALOG NUMBER

BDBTS20B

BDBTS20BP



Thank you for choosing BLACK+DECKER!

PLEASE READ BEFORE RETURNING THIS PRODUCT FOR ANY REASON.

If you have a question or experience a problem with your BLACK+DECKER purchase, go to <http://www.blackanddecker.com/instantanswers>

If you can't find the answer or do not have access to the Internet, call 1-800-544-6986 from 8 a.m. to 5 p.m. EST Mon. - Fri. to speak with an agent.

SAVE THIS MANUAL FOR FUTURE REFERENCE.

VEA EL ESPAÑOL EN LA CONTRAPORTADA.

INSTRUCTIVO DE OPERACIÓN, CENTROS DE SERVICIO Y PÓLIZA DE GARANTÍA.


ADVERTENCIA: LÉASE ESTE INSTRUCTIVO ANTES DE USAR EL PRODUCTO.


To register your new product, visit
www.BlackandDecker.com/NewOwner


SAFETY GUIDELINES - DEFINITIONS

It is important for you to read and understand this manual.

The information it contains relates to protecting YOUR SAFETY and PREVENTING PROBLEMS. The symbols below are used to help you recognize this information.

 **DANGER:** Indicates an imminently hazardous situation which, if not avoided, will result in death or serious injury.

 **WARNING:** Indicates a potentially hazardous situation which, if not avoided, could result in death or serious injury.


 **CAUTION:** Indicates a potentially hazardous situation which, if not avoided, may result in minor or moderate injury.


CAUTION: Used without the safety alert symbol indicates a potentially hazardous situation which, if not avoided, may result in property damage.

IMPORTANT SAFETY INSTRUCTIONS

WARNING:

1. Read these instructions.
2. Keep these instructions.
3. Heed all warnings.
4. Follow all instructions.
5. Do not use this apparatus near water.
6. Do not block any ventilation openings. Install in accordance with the manufacturer's instructions.
7. Do not install near any heat sources such as radiators, heat registers, stoves or other apparatus (including amplifiers) that produce heat.
8. Do not defeat the safety purpose of the polarized or grounding-type plug. A polarized plug has two blades with one wider than the other. A grounding type plug has two blades and a third grounding prong. The wide blade or the third prong are provided for your safety. If the provided plug does not fit into your outlet, consult an electrician for replacement of the obsolete outlet.
9. Protect the power cord from being walked on or pinched particularly at plugs, convenience receptacles, and the point where they exit from the apparatus.
10. Only use attachments/accessories specified by the manufacturer.
11. Unplug this apparatus during lightning storms or when unused for long periods of time.
12. Refer all servicing to qualified service personnel. Servicing is required when the apparatus has been damaged in any way, such as power-supply cord or plug is damaged, liquid has been spilled or objects have fallen into the apparatus, the apparatus has been exposed to rain or moisture, does not operate normally, or has been dropped.
13. Apparatus shall not be exposed to dripping or splashing and no objects filled with liquids, such as vases, shall be placed on the apparatus.
14. Do not use under wet conditions or in presence of flammable liquids or gases.

 The lightning flash with arrowhead symbol, within an equilateral triangle, is intended to alert the user to the presence of uninsulated "dangerous voltage" within the product's enclosure that may be of sufficient magnitude to constitute a risk of electric shock to persons.

 The exclamation point within an equilateral triangle is intended to alert the user to the presence of important operating an maintenance (servicing) instructions in the literature accompanying the product.

ADDITIONAL SAFETY RULES FOR Bluetooth® SPEAKER

- **DO NOT** splash or immerse in water or other liquids.
- Please note that changes or modifications not expressly approved by the party responsible for compliance could void the user's authority to operate the equipment.

- This Class B digital apparatus complies with Canadian ICES-003.
- This device complies with Part 15 of the FCC rules and Industry Canada License-exempt RSS standard(s). Operation is subject to the following two conditions:
 - 1) This device may not cause harmful interference, and
 - 2) This device must accept any interference received, including interference that may cause undesired operation.

NOTE: This equipment has been tested and found to comply with the limits for a Class B digital device, pursuant to Part 15 of the FCC Rules. These limits are designed to provide reasonable protection against harmful interference in a residential installation. This equipment generates, uses and can radiate radio frequency energy and, if not installed and used in accordance with the instructions, may cause harmful interference to radio communications. However, there is no guarantee that interference will not occur in a particular installation. If this equipment does cause harmful interference to radio or television reception, which can be determined by turning the equipment off and on, the user is encouraged to try to correct the interference by one or more of the following measures:

- Reorient or relocate the receiving antenna.
- Increase the separation between the equipment and speaker.
- Connect the equipment into an outlet on a circuit different from that to which the speaker is connected.
- Consult the dealer or an experienced radio/TV technician for help.
- Under Industry Canada regulations, this radio transmitter may only operate using an antenna of a type and maximum (or lesser) gain approved for the transmitter by Industry Canada. To reduce potential radio interference to other users, the antenna type and its gain should be so chosen that the equivalent isotropically radiated (e.i.r.p.) is not more than that necessary for successful communication.
- To comply with FCC/IC RF exposure limits for general population/uncontrolled exposure, the antenna(s) used for this transmitter must be installed to provide a separation distance of at least 20 cm from all persons and must not be co-located or operating in conjunction with any other antenna or transmitter.

⚠WARNING: To reduce the risk of fire or electric shock, do not expose this apparatus to rain or moisture. Use only in dry locations. **USE ONLY WITH BLACK+DECKER BATTERY PACKS. OTHERS MAY BURST CAUSING PERSONAL INJURY AND DAMAGE. WHEN USING THE AC RECEPTACLE, FULLY INSERT ATTACHMENT PLUGS. DO NOT USE THE RECEPTACLE IF THE ATTACHMENT PLUG CANNOT BE FULLY INSERTED.**

- ⚠WARNING:** To prevent electric shock, match wide blade of plug to wide slot fully insert.
- **Do not disassemble speaker. Take it to an authorized service center when service or repair is required.** Incorrect reassembly may result in a risk of electric shock, electrocution or fire.
 - **Disconnect the speaker from the outlet before attempting any cleaning. This will reduce the risk of electric shock.** Removing the battery pack will not reduce this risk.
 - This speaker is designed to operate on 120 Volts, 60 Hz AC. It also operates on BLACK+DECKER battery packs. Do not use any other voltage. Only use adapter provided.

The label on your tool may include the following symbols. The symbols and their definitions are as follows:

V.....volts	A.....amperes
Hz.....hertz	W.....watts
min.....minutes	~ or AC.....alternating current
--- or DC...direct current	n _ono load speed
Ⓛ.....Class I Construction (grounded)	⊕.....earthing terminal
□.....Class II Construction (double insulated)	⚠.....safety alert symbol
⚡.....shock hazard symbol	.../min or rpm...revolutions or reciprocation per minute
	NBC.....no battery connection

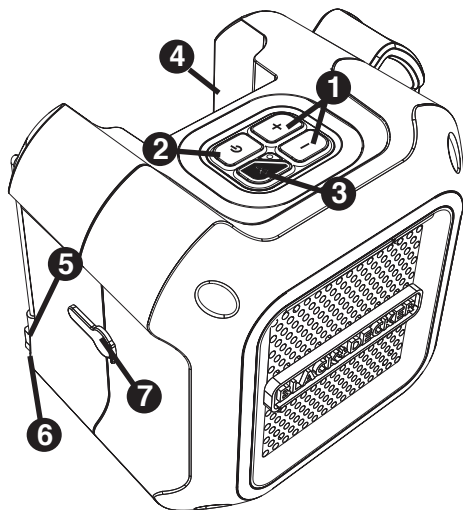
- **USE PROPER EXTENSION CORD.** Make sure your extension cord is in good condition. When using an extension cord, be sure to use one heavy enough to carry the current your product will draw. An undersized cord will cause a drop in line voltage resulting in loss of power and overheating. The following table shows the correct size to use depending on cord length and nameplate ampere rating. If in doubt, use the next heavier gauge. The smaller the gauge number, the heavier the cord.

Volts	Minimum Gauge for Cord Sets				
	Total Length of Cord in Feet				
120V	0-25	26-50	51-100	101-150	
	(0-7,6m)	(7,6-15,2m)	(15,2-30,4m)	(30,4-45,7m)	
240V	0-50	51-100	101-200	201-300	
	(0-15,2m)	(15,2-30,4m)	(30,4-60,9m)	(60,9-91,4m)	
Ampere Rating		American Wire Gage			
More Than	Not more Than				
0 -	6	18	16	16	14
6 -	10	18	16	14	12
10 -	12	16	16	14	12
12 -	16	14	12	Not Recommended	

SAVE THESE INSTRUCTIONS

COMPONENTS

1. Volume buttons
2. Power button
3. Bluetooth® / Auxiliary mode button
4. 20v Max* battery port
5. Auxiliary jack
6. Auxiliary jack holder
7. AC adapter port (BDBTS20B ONLY)
8. AC adapter (BDBTS20B ONLY - not shown)



POWER/VOLUME ADJUSTMENT

1. To operate as a corded product (BDBTS20B ONLY), insert the AC adapter (8) into the AC adapter port (7), then plug the adapter into an appropriate AC power outlet or generator.
2. To operate as a cordless product, insert a fully charged 20v MAX* BLACK+DECKER battery (not included) into the battery port (4). Be sure battery is fully seated.
3. To turn the speaker on, press the power button (2). Press the power button again to turn the speaker off.
4. Press the "+" button (1) to increase the volume. To decrease the volume, press the "-" button.

NOTE: If the battery is attached to the speaker and the AC adapter is plugged in at the same time, the speaker will run off of the adapter and not drain the battery. Having both attached simultaneously will not charge the battery.

Bluetooth® AND AUXILIARY FUNCTION

When the speaker is turned on, it will automatically be in *Bluetooth* mode. To switch to auxiliary mode, press and hold the *Bluetooth* button (3) until the light turns green. To switch back to *Bluetooth* mode, simply press and hold the *Bluetooth* button again. The blue light will flash again.

USING *Bluetooth*[®] WIRELESS TECHNOLOGY*

1. Turn the speaker on.
2. The speaker should already be in *Bluetooth* mode. If not, press the *Bluetooth* button (3).
3. Find “P3BTS” under devices on your *Bluetooth* enabled device and select to pair. The blue light will flash while the pairing takes place. Once the pairing is successful the blue light will remain steady.
4. Begin playing music on your device.

NOTE: The speaker does not have to be in the *Bluetooth* mode when pairing, only when listening.

*The *Bluetooth*[®] word mark and logos are registered trademarks owned by Bluetooth SIG, Inc. and any use of such marks by BLACK+DECKER is under license. Other trademarks and trade names are those of their respective owners.

LISTENING IN AUXILIARY MODE

To listen to a device in auxiliary mode, press and hold the *Bluetooth* button (3) until the blue light turns green. Plug the auxiliary jack (5) into the auxiliary port of your device. When finished, unplug the jack and store it in the auxiliary jack holder (6).

INCOMING CALL

If your phone receives a call while it is connected to the speaker it will ring through the speaker.

*Samsung***

To transfer the call to your phone, deselect the headset option on your phone. The speaker will remain mute until the call is over.

End the call normally with your cell phone. The speaker will resume previous function.

***Samsung*[®] is a registered trademark of Samsung Group.

iPhone[®]***

To transfer the call to your phone, select “audio source” on your phone, then select “iPhone.” The speaker will remain mute until the call is over.

End the call normally with your cell phone. The speaker will resume previous function.

****iPhone*[®] is a registered trademark of Apple Inc.

TROUBLESHOOTING

PROBLEM

- Unit will not power on

POSSIBLE CAUSE

- Cord not plugged in.
- Circuit fuse is blown.
- Circuit breaker is tripped.
- Cord or switch is damaged.
- Battery not charged.
- Battery is not fully connected.
- Battery does not have enough power.
- Battery has been removed.
- Adapter unplugged without battery in place.

POSSIBLE SOLUTION

- Plug tool into a working outlet.
- Replace circuit fuse. (If the product repeatedly causes the circuit fuse to blow, discontinue use immediately and have it serviced at a BLACK+DECKER service center or authorized servicer.)
- Reset circuit breaker. (If the product repeatedly causes the circuit breaker to trip, discontinue use immediately and have it serviced at a BLACK+DECKER service center or authorized servicer.)
- Have cord or switch replaced at a BLACK+DECKER Service Center or Authorized Servicer
- Charge battery.
- Push battery fully into battery port and ensure it is properly connected.
- Charge battery.
- Replace battery.
- Plug adapter into outlet or properly insert battery.

- Bluetooth® disconnected.

- Power to outlet is off when using adapter.
- Device roamed out of range.

- Ensure wall outlet is receiving power or properly insert battery.
- Bring device into range of speaker.
- Device may need to be paired to the speaker again. See “Using Bluetooth® Wireless Technology”
- If two or more devices are paired to speaker, disconnect the speaker in the settings of the one of the devices.

For assistance with your product, visit our website www.blackanddecker.com for the location of the service center nearest you or call the BLACK+DECKER help line at

MAINTENANCE

⚠ WARNING: Disconnect the speaker from the AC outlet before cleaning. Dirt and grease may be removed from the exterior of the speaker using a cloth. Do not use water or any cleaning solutions.

⚠ WARNING: Never use solvents or other harsh chemicals for cleaning the non-metallic parts of the speaker. These chemicals may weaken the materials used in these parts. Use a cloth dampened only with water and mild soap. Never let any liquid get inside the tool; never immerse any part of the tool into a liquid.

⚠ CAUTION: NEVER spray or in any other way apply lubricants or cleaning solvents inside the tool. This can seriously affect the life and performance of the tool.

SERVICE NOTES

This product is not user serviceable. There are no user serviceable parts inside the speaker. Servicing at an authorized service center is required to avoid damage to static sensitive internal components.

REPLACEMENT PARTS

Use only identical replacement parts. For a parts list or to order parts, visit our service website at www.blackanddecker.com. You can also order parts from your nearest BLACK+DECKER Factory Service Center or BLACK+DECKER Authorized Warranty Service Center. Or, you can call our Customer Care Center at (800) 544-6986.

SERVICE AND REPAIRS

All quality tools will eventually require servicing and/or replacement of parts. For information about BLACK+DECKER, its factory service centers or authorized warranty service centers, visit our website at www.blackanddecker.com or call our Customer Care Center at 1-800-544-6986. All repairs made by our service centers are fully guaranteed against defective material and workmanship. We cannot guarantee repairs made or attempted by others.

You can also write to us for information at BLACK+DECKER, 701 E. Joppa Road, Towson, Maryland 21286 - Attention: Product Service. Be sure to include all of the information shown on the nameplate of your tool (model number, type, serial number, etc.).

ACCESSORIES

⚠ WARNING: Since accessories, other than those offered by BLACK+DECKER, have not been tested with this product, use of such accessories with this tool could be hazardous. To reduce the risk of injury, only BLACK+DECKER recommended accessories should be used with this product. A complete line of accessories is available from your BLACK+DECKER Factory Service Center or a BLACK+DECKER Authorized Warranty Service Center. Please visit our Web Site www.blackanddecker.com for a catalog or for the name of your nearest supplier.

LIMITED TWO-YEAR HOME USE WARRANTY

Black & Decker (U.S.) Inc. warrants this product for two years against any defects in material or workmanship. The defective product will be replaced or repaired at no charge in either of two ways.

The first, which will result in exchanges only, is to return the product to the retailer from whom it was purchased (provided that the store is a participating retailer). Returns should be made within the time period of the retailer's policy for exchanges (usually 30 to 90 days after the sale). Proof of purchase may be required. Please check with the retailer for their specific return policy regarding returns that are beyond the time set for exchanges.

The second option is to take or send the product (prepaid) to a BLACK+DECKER owned or authorized Service Center for repair or replacement at our option. Proof of purchase may be required.

This warranty does not apply to accessories. This warranty gives you specific legal rights and you may have other rights which vary from state to state or province to province.

Should you have any questions, contact the manager of your nearest BLACK+DECKER Service Center. This product is not intended for commercial use.

FREE WARNING LABEL REPLACEMENT: If your warning labels become illegible or are missing, call 1-800-544-6986 for a free replacement.

LATIN AMERICA: This warranty does not apply to products sold in Latin America. For products sold in Latin America, check country specific warranty information contained in the packaging, call the local company or see the website for warranty information. the packaging, call the local company or see the website for warranty information.

Imported by
Black & Decker (U.S.) Inc.,
701 E. Joppa Rd.
Towson, MD 21286 U.S.A.



BLACK+ DECKER™

HAUT-PARLEUR  Bluetooth® DE 20 V MAX*

MODE D'EMPLOI

NUMERO DE CATALOGUE

BDBTS20B, BDBTS20BP

Merci d'avoir choisi BLACK+DECKER! Consulter le site Web www.BlackandDecker.com/NewOwner pour enregistrer votre nouveau produit. **À LIRE AVANT DE RETOURNER CE PRODUIT POUR QUELQUE RAISON QUE CE SOIT :**


Si des questions ou des problèmes surgissent après l'achat d'un produit BLACK+DECKER, consulter le site Web www.blackanddecker.com/instantanswers pour obtenir des réponses instantanément 24 heures par jour. Si la réponse est introuvable ou en l'absence d'accès à l'Internet, composer le 1 800 544-6986 de 8 h à 17 h HNE, du lundi au vendredi, pour parler avec un agent. Prière d'avoir le numéro de catalogue sous la main lors de l'appel.


Pour l'achat d'un filtre de rechange composer le 1-888-678-7278
CONSERVER CE MODE D'EMPLOI POUR UN USAGE ULTÉRIEUR.


Consulter le site Web www.BlackandDecker.com/NewOwner pour enregistrer votre nouveau produit.

LIGNES DIRECTRICES EN MATIÈRE DE SÉCURITÉ - DÉFINITIONS

Il est important que vous lisiez et compreniez ce mode d'emploi. Les informations qu'il contient concernent VOTRE SÉCURITÉ et visent à ÉVITER TOUT PROBLÈME. Les symboles ci-dessous servent à vous aider à reconnaître cette information.

 **DANGER** : Indique une situation dangereuse imminente qui, si elle n'est pas évitée, causera la mort ou des graves blessures.

 **AVERTISSEMENT** : Indique une situation potentiellement dangereuse qui, si elle n'est pas évitée, pourrait causer la mort ou de graves blessures.


 **MISE EN GARDE** : Indique une situation potentiellement dangereuse qui, si elle n'est pas évitée, pourrait causer des blessures mineures ou modérées.


AVIS : Utilisé sans le symbole d'alerte à la sécurité, indique une situation potentiellement dangereuse qui, si elle n'est pas évitée, peut résulter en des dommages à la propriété.

CONSIGNES DE SÉCURITÉ IMPORTANTES

AVERTISSEMENT :

1. Lire ces directives.
2. Conserver ces directives.
3. Respecter tous les avertissements.
4. Suivre toutes les directives.
5. Ne pas utiliser cet appareil à proximité d'eau.
6. Ne bloquer aucun orifice d'aération. Installer conformément aux directives du fabricant.
7. Ne pas installer à proximité de sources de chaleur, tels radiateurs, registres de chaleur, cuisinières ou tout autre appareil (y compris les amplificateurs).
8. Ne pas annihiler le but sécuritaire de la fiche polarisée ou mise à la terre. Une fiche polarisée possède deux lames dont l'une est plus large que l'autre. Une fiche mise à la terre possède deux lames et une troisième broche mise à la terre. La large lame ou la troisième broche ont été installée pour assurer votre sécurité. Si la fiche fournie de rentre pas dans la prise utilisée, consulter un électricien pour faire changer cette prise déuète.
9. Protéger le cordon d'alimentation contre tout piétinement ou constriction particulièrement au niveau des fiches, des prises, et au point de sortie des appareils.
10. Utiliser exclusivement des accessoires recommandés par le fabricant.
11. Débrancher l'appareil pendant les orages, ou lorsqu'il restera inutilisé pendant une période prolongée.
12. Confier l'entretien de l'appareil aux soins d'un personnel qualifié. Faire systématiquement entretenir l'appareil en cas de dommages quelconques, tels que : le cordon électrique, ou une fiche, a été endommagé, un liquide ou un objet a pénétré dans l'appareil, l'appareil a été exposé à la pluie ou à l'humidité, il ne fonctionne pas normalement ou il a fait une chute.
13. Protéger l'appareil de tout liquide, ou éclaboussure, et ne disposer aucun objet rempli d'un liquide, (un vase par exemple) sur l'appareil.
14. Ne pas utiliser dans des conditions humides ou en présence de liquides ou de gaz inflammables.

 Le symbole de l'éclair avec une flèche au sein d'un triangle a pour but de prévenir l'utilisateur que certaines pièces au sein du produit posent des risques de chocs électriques pour l'individu.

 Le point d'exclamation au sein d'un triangle a pour but de prévenir l'utilisateur que des instructions importantes d'utilisation et d'entretien sont incluses dans les documents propres à l'appareil.

Règles de sécurité additionnelles propres aux haut-parleurs Bluetooth®

- NE PAS éclabousser l'appareil ou l'immerger dans l'eau ou dans tout autre liquide.
 - Tout changement ou toute modification à l'appareil qui ne serait pas expressément homologué par le tiers responsable de sa conformité pourra annuler les droits de l'utilisateur à employer cet équipement.
 - Cet appareil numérique de Classe B est conforme aux normes canadiennes ICES-003.
 - Cet appareil est conforme au paragraphe 15 du règlement du FCC et au(x) norme(s) RSS exempté(s) de licence d'Industrie Canada. Son utilisation est sujette aux deux conditions suivantes :
- 1) Ce dispositif ne doit pas causer d'interférences nuisibles;
 - 2) Ce dispositif doit accepter toute interférence reçue, y compris toute interférence pouvant causer un fonctionnement indésirable.

REMARQUE : cet équipement a été testé et jugé conforme aux limites propres aux appareils numériques de Classe B, conformément au Paragraphe 15 du règlement du FCC. Ces limites sont destinées à offrir une protection raisonnable contre les interférences nuisibles d'une installation résidentielle. Cet équipement produit, utilise et peut émaner des ondes radiofréquences et, s'il n'est pas installé et utilisé conformément aux directives du fabricant, peut causer des interférences nuisibles aux communications radio. En fonction des installations réalisées, il n'est cependant pas garanti que toute interférence soit exclue. Si cet équipement cause des interférences nuisibles à toute réception radio ou télévision, ce qui peut être déterminé en allumant et éteignant l'équipement, l'utilisateur est encouragé à tenter de corriger ces interférences en prenant l'une ou plusieurs des mesures suivantes :

- Réorienter l'antenne de réception ou en changer l'emplacement;
 - Augmenter la distance entre l'équipement et le récepteur;
 - Brancher l'équipement à une prise située sur un circuit différent de celui sur lequel le récepteur est connecté;
 - Contacter le détaillant ou consulter un technicien radio/télé qualifié.
- Conformément aux réglementations d'Industrie Canada, cet émetteur radio ne peut fonctionner qu'avec une antenne dont le type et le gain maximal (ou d'une valeur moindre) sont homologués par Industrie Canada pour cet émetteur. Pour réduire toute interférence radio potentielle pouvant affecter les autres utilisateurs, le type d'antenne et ses gains devraient être choisis de façon à ce que la puissance isotrope rayonnée équivalente ne soit pas supérieure aux limites permettant la communication.
- Pour respecter les limites d'exposition requises par le FCC/la RF IC pour la population générale/exposition incontrôlée, la(les) antenne(s) utilisée(s) avec cet émetteur doit/doivent être installée(s) de façon à préserver une distance d'au moins 20 cm avec les individus présents et ne peut/peuvent être située(s) ou utilisée(s) conjointement avec toute autre antenne ou émetteur.

⚠ AVERTISSEMENT : pour réduire tout risque d'incendie ou de chocs électriques, protéger cet appareil contre la pluie ou l'humidité. Ne l'utiliser que dans des endroits secs. **UTILISER UNIQUEMENT AVEC LES BLOCS-PILES PORTER-ÇABLE. L'UTILISATION D'AUTRES BLOCS-PILES PEUT PROVOQUER UN ÉCLATEMENT ET CAUSER DES BLESSURES CORPORELLES ET DES DOMMAGES. INSÉREZ LA FICHE COMPLETEMENT QUAND UTILISEZ AC RECEPTACLE. NE PAS UTILISER LE RECEPTACLE SI LA FICHE PEUT PAS ÊTRE INSÉRÉE.**

⚠ AVERTISSEMENT : pour prévenir tout choc électrique, aligner la large lame de la fiche avec la large fente de la prise, et insérer à fond.

- **Ne pas démonter le radio. Confier l'entretien ou la réparation à un centre de réparation autorisé au besoin.** Le remontage non conforme du chargeur comporte des risques de choc électrique, d'électrocution ou d'incendie.
- **Débrancher le radio avant de la nettoyer. Cela réduira le risque de choc électrique.** Le risque ne sera pas éliminé en enlevant simplement le bloc-piles.
- Cette radio est conçue pour fonctionner à 120 V c.a. et à 60 Hz. La radio fonctionne également avec les blocs-piles Porter-Cable. N'utiliser aucune autre tension. Utilisez uniquement l'adaptateur fourni.

L'étiquette apposée sur votre outil peut inclure les symboles suivants. Les symboles et leur définition sont indiqués ci-après :

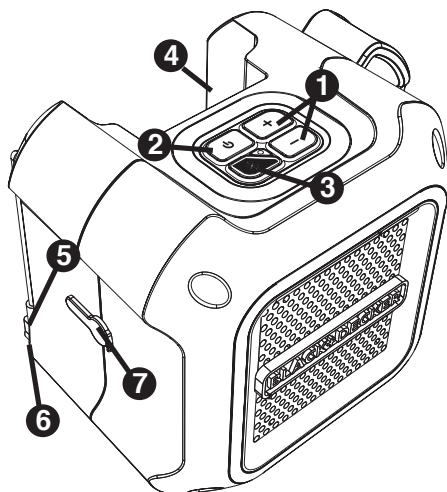
V.....volts	A.....ampères
Hz.....hertz	W.....watts
min minutes	~ ou AC....courant alternatif
--- ou DC....courant continue	non.....régime à vide
☐ Construction classe II	⊕ borne de terre
⚠ symbole d'alerte à la sécuritémin ou rpm/révolutions ou alternance par minute
⚠ symbole de choc électrique NBCBloc-piles non connecté (no battery connection)

- **UTILISER LA RALLONGE APPROPRIÉE.** S'assurer que la rallonge est en bon état. Lorsque qu'une rallonge électrique est utilisée, s'assurer d'en utiliser une de calibre suffisamment élevé pour assurer le transport du courant nécessaire au fonctionnement de l'appareil. Une rallonge de calibre inférieur causera une chute de tension de ligne et donc une perte de puissance et une surchauffe. Le tableau suivant indique le calibre approprié à utiliser selon la longueur de la rallonge et l'intensité nominale de la plaque signalétique. En cas de doute, utiliser le calibre suivant le plus gros. Plus le numéro de calibre est petit, plus le cordon est lourd.

Tension	Calibre minimal des cordons de rallonge				Longueur totale du cordon en pieds
	0-25 (0-7,6m)	26-50 (7,6-15,2m)	51-100 (15,2-30,4m)	101-150 (30,4-45,7m)	
120V	0-25 (0-7,6m)	26-50 (7,6-15,2m)	51-100 (15,2-30,4m)	101-150 (30,4-45,7m)	30,4-45,7m
240V	0-50 (0-15,2m)	51-100 (15,2-30,4m)	101-200 (30,4-60,9m)	201-300 (60,9-91,4m)	
Intensité (A)	Calibre moyen des fils (AWG)				
Au moins	Au plus				
0	6	18	16	16	14
6	10	18	16	14	12
10	12	16	16	14	12
12	16	14	12	Non recommandé	

CONSERVER CES DIRECTIVES

1. Boutons de volume
2. Bouton d'alimentation
3. Bouton de mode Bluetooth/auxiliaire
4. Compartiment du bloc-piles de 20 V MAX*
5. Fiche auxiliaire
6. Logement pour fiche auxiliaire
7. Port d'adaptateur c.a. (BDBTS20B SEULEMENT)
8. Adaptateur c.a. (BDBTS20B SEULEMENT – pas illustré)



MISE EN MARCHÉ/RÉGLAGE DU VOLUME

1. Pour utiliser la radio avec fil (BDBTS20B SEULEMENT), insérer l'adaptateur c.a. (8) dans le port d'adaptateur c.a. (7), puis brancher l'adaptateur dans une prise secteur appropriée ou une génératrice.
2. Pour utiliser la radio sans fil, insérer une pile Porter Cable de 20 V max.* entièrement chargée (non comprise) dans le compartiment du bloc-piles (4). S'assurer que la batterie est bien en place.
3. Pour mettre la radio en marche, appuyer sur le bouton d'alimentation (2). Appuyez sur le bouton power pour éteindre la radio.
4. Appuyer le bouton "+" (1) pour monter le volume. Pour baisser le volume, appuyer sur le bouton "-".

REMARQUE : Si la batterie est attachée à la radio et l'adaptateur secteur est branché en même temps, la radio courir hors de l'adaptateur et pas vider la batterie. Ayant à la fois attaché simultanément ne chargera la batterie.

FONCTIONS Bluetooth® ET AUXILIAIRE

Quand le haut-parleur s'allume, il est automatiquement en mode Bluetooth. Pour activer le mode auxiliaire, appuyer sur le bouton Bluetooth (3) et le tenir enfoncé jusqu'à ce que le voyant passe au vert. Pour revenir au mode Bluetooth, il suffit de tenir le bouton Bluetooth enfoncé encore une fois. Le voyant bleu se remet à clignoter.

UTILISATION DE LA TECHNOLOGIE SANS FIL Bluetooth® *

1. Allumer le haut-parleur.
2. Le haut-parleur devrait déjà être en mode Bluetooth. Sinon, appuyer sur le bouton Bluetooth (3).
3. Trouver « P3BTS » parmi les appareils détectés par votre appareil compatible Bluetooth et sélectionner pour l'associer. Le voyant bleu clignote tandis que l'association est en cours. Une fois l'association réussie, le voyant bleu reste fixe.
4. Commencer à écouter de la musique sur l'appareil.

REMARQUE : Il n'est pas nécessaire que le haut-parleur soit en mode Bluetooth lors de l'association, uniquement lors de l'écoute.

*Le mot-symbole et les logos Bluetooth® sont des marques déposées appartenant à Bluetooth SIG inc., et Porter Cable en fait une utilisation sous licence. Les autres marques de commerce et les appellations commerciales appartiennent à leurs propriétaires respectifs

ÉCOUTE EN MODE AUXILIAIRE

Pour écouter un appareil en mode auxiliaire, appuyer sur le bouton Bluetooth (3) et le tenir enfoncé jusqu'à ce que le voyant bleu passe au vert. Brancher la fiche auxiliaire (5) dans le port auxiliaire de votre appareil. A la fin de l'écoute, débrancher la fiche et la ranger dans le logement pour fiche auxiliaire (6).

APPEL ENTRANT

Si le téléphone reçoit un appel lorsqu'il est connecté à la radio, la sonnerie se fait entendre par les haut-parleurs de la radio.

Samsung^{®**}

Pour transférer l'appel au téléphone, désélectionner l'option de casque d'écoute sur le téléphone. La radio restera silencieuse jusqu'à la fin de l'appel. Terminer l'appel normalement avec le téléphone cellulaire. La radio retournera à la fonction précédente.

**Samsung[®] est une marque déposée du groupe Samsung.

iPhone^{®***}

Pour transférer l'appel au téléphone, sélectionner « source audio » sur le téléphone, puis « iPhone ». Le haut-parleur restera silencieux jusqu'à la fin de l'appel. Terminer l'appel normalement avec le téléphone cellulaire. La radio retournera à la fonction précédente.

***iPod[®] est une marque de commerce déposée d'Apple Inc.

DÉPANNAGE

Problème

• L'appareil refuse de démarrer.

Cause possible

• Cordon d'alimentation non branché.
• Le fusible du circuit est grillé.

Solution possible

• Brancher l'outil dans une prise qui fonctionne.
• Remplacer le fusible du circuit. (Si le produit fait griller de façon répétée le fusible du circuit, arrêter immédiatement d'utiliser le produit et le faire réparer dans un centre de réparation BLACK+DECKER ou un centre de réparation autorisé.)
• Remettre le disjoncteur à zéro. (Si le produit fait déclencher de façon répétée le disjoncteur, arrêter immédiatement d'utiliser le produit et le faire réparer dans un centre de réparation BLACK+DECKER ou un centre de réparation autorisé.)
• Faire remplacer le cordon ou l'interrupteur au centre de réparation BLACK+DECKER ou à un centre de réparation autorisé.
• Charger la pile.
• Enfoncer complètement dans le compartiment du bloc-piles et vérifier que le bloc-piles est bien connecté.
• Charger le bloc-piles.

• Le disjoncteur est déclenché.

• Le cordon d'alimentation ou la prise de courant est endommagé(e).

• Pile non chargée.
• Le bloc-piles n'est pas bien connecté.

• La puissance du bloc-piles est insuffisante.
• Le bloc-piles a été enlevé.
• L'adaptateur est débranché et aucun bloc-piles n'est en place.

• La prise où l'adaptateur est branché n'est pas alimentée.

• Bluetooth[®] est déconnecté.

• L'appareil est hors de portée.

• Replacer le bloc-piles.
• Brancher l'adaptateur dans une prise ou insérer adéquatement le bloc-piles.
• S'assurer que la prise murale reçoit du courant ou insérer correctement le bloc-piles.
• Mettre l'appareil dans la portée de la radio.

- L'appareil peut avoir besoin d'être associé à nouveau à la radio. Voir « Utilisation de la technologie sans fil Bluetooth® »
- Si deux appareils ou plus sont associés à la radio, oublier la radio dans les réglages des autres appareils.

Pour de l'aide avec l'outil, consulter notre site Web www.blackanddecker.com pour l'emplacement du centre de réparation le plus près ou communiquer avec l'assistance BLACK+DECKER au **1-800-544-6986**.

ENTRETIEN

⚠ AVERTISSEMENT : Débrancher la radio de la prise secteur avant de la nettoyer. La saleté et la graisse peuvent être enlevées de la surface extérieure de la radio au moyen d'un chiffon. Ne pas utiliser d'eau ni d'autres solutions de nettoyage.

⚠ AVERTISSEMENT : Ne jamais utiliser de solvants ni d'autres produits chimiques puissants pour nettoyer les pièces non métalliques de la radio. Ces produits chimiques peuvent affaiblir les matériaux utilisés dans ces pièces.

Utiliser un chiffon humecté uniquement d'eau et de savon doux. Ne jamais laisser de liquide pénétrer dans l'outil et n'immerger aucune partie de l'outil dans un liquide.

⚠ MISE EN GARDE : NE JAMAIS pulvériser ni appliquer de toute autre manière des lubrifiants ou des solvants pour le nettoyage, à l'intérieur de l'outil. Cette pratique peut compromettre sérieusement la durée de vie et le rendement de l'outil.

REMARQUES RELATIVES AUX RÉPARATIONS

Ce produit n'est pas réparable par l'utilisateur. Aucune pièce à l'intérieur de la radio ne peut être réparée par l'utilisateur. Pour éviter tout dommage aux composants internes sensibles à l'électricité statique, faire effectuer toute réparation par un centre de réparation autorisé.

PIÈCES DE RECHANGE

Utiliser seulement des pièces de rechange identiques. Pour obtenir une liste des pièces de rechange ou pour en commander, consulter le site Web www.blackanddecker.com. Il est également possible de commander des pièces au centre de réparation de l'usine BLACK+DECKER et au centre de réparation sous garantie autorisé BLACK+DECKER le plus près. Ou composer le (800) 544-6986 pour le service à la clientèle.

ENTRETIEN ET RÉPARATION

Ce produit n'est pas réparable par l'utilisateur. Aucune pièce à l'intérieur du chargeur ne peut être réparée par l'utilisateur. Pour éviter tout dommage aux composants internes sensibles à l'électricité statique, faire effectuer toute réparation par un centre de réparation autorisé. Pour de plus amples renseignements à propos de BLACK+DECKER, ses centres de réparation en usine ou ses centres de réparation sous garantie autorisés, visiter notre site Web au www.blackanddecker.com ou communiquer avec notre centre de service à la clientèle en composant le 1-800-544-6986. Toutes les réparations effectuées dans nos centres de réparation sont entièrement garanties contre les défauts de matériaux et de main-d'oeuvre. Nous ne pouvons pas garantir les réparations effectuées en partie ou totalement par d'autres.

Pour de plus amples renseignements par courrier, écrire à BLACK+DECKER, 701 E. Joppa Road, Towson, Maryland 21286 - à l'attention de : Product Service. S'assurer d'indiquer toutes les informations figurant sur la plaque signalétique de l'outil (numéro du modèle, type, numéro de série, etc.).

ACCESSOIRES

⚠ AVERTISSEMENT : il pourrait s'avérer dangereux d'utiliser des accessoires autres que ceux recommandés pour cet outil.

Les accessoires recommandés pour cet outil sont offerts au centre de service autorisé ou chez le dépositaire local; pour obtenir de plus amples renseignements sur ces accessoires, composer le 1 800 544-6986.

GARANTIE LIMITÉE DE DEUX ANS POUR UNE UTILISATION DOMESTIQUE

Black & Decker (É.-U.) Inc. garantit ce produit pour une durée de deux ans contre tout défaut de matériau ou de fabrication. Le produit défectueux sera remplacé ou réparé sans frais de l'une des deux façons suivantes :

La première façon consiste en un simple échange chez le détaillant qui l'a vendu (pourvu qu'il s'agisse d'un détaillant participant). Tout retour doit se faire durant la période correspondant à la politique d'échange du détaillant (habituellement, de 30 à 90 jours après l'achat). Une preuve d'achat peut être requise. Vérifier auprès du détaillant pour connaître sa politique concernant les retours hors de la période définie pour les échanges.

La deuxième option est d'apporter ou d'envoyer le produit (transport payé d'avance) à un centre de réparation autorisé ou à un centre de réparation de BLACK+DECKER pour faire réparer ou échanger le produit, à notre discrétion. Une preuve d'achat peut être requise. Cette garantie ne s'applique pas aux accessoires. Cette garantie vous accorde des droits légaux spécifiques et vous pourriez avoir d'autres droits qui varient d'un État ou d'une province à l'autre. Pour toute question, communiquer avec le directeur du centre de réparation BLACK+DECKER le plus près de chez vous. Ce produit n'est pas destiné à un usage commercial.

REPLACEMENT GRATUIT DES ÉTIQUETTES D'AVERTISSEMENT : si les étiquettes d'avertissement deviennent illisibles ou sont manquantes, composer le **1-800-544-6986** pour en obtenir le remplacement gratuit.

Imported by / Importé par
Black & Decker Canada Inc.
100 Central Ave.
Brockville (Ontario) K6V 5W6

BLACK+ DECKER™

ALTAVOZ  Bluetooth® DE 20 V MAX

MANUAL DE INSTRUCCIONES

CATÁLOGO N°

BDBTS20B, BDBTS20BP

Gracias por elegir BLACK+DECKER!

Visite www.BlackandDecker.com/NewOwner para registrar su nuevo producto.
LEA EL MANUAL ANTES DE DEVOLVER ESTE PRODUCTO POR CUALQUIER MOTIVO:

Si tiene una consulta o algún inconveniente con su producto BLACK+DECKER, visite <http://www.blackanddecker.com/instantanswers> para obtener respuestas instantáneas las 24 horas del día.

Si no encuentra la respuesta o no tiene acceso a Internet, llame al 1-800-544-6986 de lunes a viernes de 8 a. m. a 5 p. m. hora del Este para hablar con un agente. Cuando llame, tenga a mano el número de catálogo.

Para comprar un filtro de repuesto llame al 1-888-678-7278.


**CONSERVE ESTE MANUAL PARA FUTURAS CONSULTAS.
SÓLO PARA USO DOMÉSTICO.**


Visite www.BlackandDecker.com/NewOwner
para registrar su nuevo producto.

PAUTAS DE SEGURIDAD/DEFINICIONES

Es importante que lea y comprenda este manual. La información que contiene se relaciona con la protección de SU SEGURIDAD y la PREVENCIÓN DE PROBLEMAS. Los símbolos que siguen se utilizan para ayudarlo a reconocer esta información.

 **PELIGRO:** indica una situación de peligro inminente que, si no se evita, provocará la muerte o lesiones graves.

 **ADVERTENCIA:** indica una situación de peligro potencial que, si no se evita, provocará la muerte o lesiones graves.


 **PRECAUCIÓN:** indica una situación de peligro potencial que, si no se evita, provocará lesiones leves o moderadas.


PRECAUCIÓN: utilizado sin el símbolo de alerta de seguridad indica una situación de peligro potencial que, si no se evita, puede provocar daños en la propiedad.

INSTRUCCIONES IMPORTANTES SOBRE SEGURIDAD

⚠️ ADVERTENCIA:

1. Lea estas instrucciones.
2. Conserve estas instrucciones.
3. Obedezca todas las advertencias.
4. Siga todas las instrucciones.
5. No use este aparato cerca del agua.
6. No obstruya las aberturas de ventilación. Instale de conformidad con las instrucciones del fabricante.
7. No instale cerca de fuentes de calor como radiadores, rejillas de calefacción, estufas ni otros aparatos (incluyendo amplificadores) que produzcan calor.
8. No anule el propósito de seguridad de la clavija para conexión a tierra o polarizada. Una clavija polarizada tiene dos patas, una más ancha que la otra. Una clavija para conexión a tierra tiene dos patas, más una tercera para la conexión a tierra. La pata ancha o la tercera pata se proporcionan para su seguridad. Si la clavija de la unidad no se acopla a la toma de corriente, consulte a un electricista para que reemplace la toma de corriente obsoleta.
9. Evite que caminen sobre el cable y protéjalo contra aplastamientos, particularmente en la clavija, las tomas de corriente y el punto en el que sale del aparato.
10. Utilice únicamente los aditamentos y accesorios especificados por el fabricante.
11. Desconecte este aparato durante tormentas eléctricas o cuando no vaya a usarlo por períodos prolongados.
12. Deje todo el mantenimiento en manos de personal calificado. Se requiere servicio cuando el aparato se haya dañado de cualquier modo, como por ejemplo si el cable o la clavija se dañan, si se ha derramado líquido o han caído objetos dentro del aparato, o si el aparato se ha expuesto a lluvia o humedad, no opera normalmente o se haya caído.
13. El aparato no quedará expuesto a goteos ni a salpicaduras, y no se colocarán sobre el aparato objetos llenos de líquido, tales como jarrones.
14. No utilice la unidad en condiciones de humedad o en presencia de gases o líquidos inflamables.

 El relámpago con punta de flecha dentro de un triángulo pretende señalar al usuario que en el interior del producto hay piezas que constituyen un riesgo de choque eléctrico para las personas.

 El signo de exclamación dentro de un triángulo pretende señalar al usuario que hay instrucciones importantes sobre la operación y el servicio en los documentos que vienen con la unidad.

NORMAS DE SEGURIDAD ADICIONALES PARA EL ALTAVOZ BLUETOOTH®

- NO salpicar ni sumergir en agua u otros líquidos.
- Tenga en cuenta que los cambios o modificaciones no aprobados expresamente por la parte responsable del cumplimiento podrían anular la autorización del usuario para operar el equipo.
- Este aparato digital de la Clase B cumple con la norma canadiense ICES-003.
- Este dispositivo cumple con la Sección 15 de las normas de la Comisión Federal de Comunicaciones (FCC) y las normas RSS de exención de licencia del Ministerio de Industria de Canadá. Su operación está sujeta a las siguientes dos condiciones:
 - 1) Este dispositivo no puede causar interferencia dañina y
 - 2) Este dispositivo debe aceptar cualquier interferencia que reciba, incluyendo aquella interferencia que podría producir una operación no deseada.

NOTA: Este equipo ha sido probado y se ha encontrado que cumple con los límites establecidos para dispositivos digitales Clase B, en conformidad con la Parte 15 del Reglamento de la FCC. Estos límites están diseñados para ofrecer un nivel razonable de protección contra la interferencia dañina en instalaciones residenciales. Este equipo genera, utiliza y puede emitir energía de radiofrecuencia y, si no se instala y utiliza de acuerdo a las instrucciones proporcionadas, puede producir una interferencia dañina a la comunicación radial. Sin embargo, no existen garantías de que no ocurra interferencia alguna en una instalación en particular. Si este equipo produce interferencia dañina a su recepción radial y de televisión, lo que puede ser determinado al apagar y volver a encender el equipo, se pide al usuario que corrija la interferencia implementando una o más de las siguientes medidas:

- Cambie la orientación o el lugar donde está ubicada la antena receptora.
- Aumente el espacio que separa al equipo del receptor.

- Conecte el equipo a una toma de corriente que esté en un circuito diferente al circuito al que está conectado el receptor.
- Consulte con el concesionario o con un técnico de radio y televisión con experiencia que pueda ayudarle.
- Según el reglamento del Ministerio de Industria de Canadá, este transmisor de radio puede funcionar solamente con una antena del tipo y de la máxima (o menor) ganancia aprobados para el transmisor por el Ministerio de Industria de Canadá. Para reducir la posible radiointerferencia a otros usuarios, el tipo de antena y su ganancia deberían elegirse de manera que la potencia isotrópica radiada equivalente (p.i.r.e.) no sea mayor que la necesaria para una comunicación satisfactoria.
- Para cumplir con los límites de exposición a radiofrecuencia establecidos por la FCC y el Ministerio de Industria de Canadá para la población general/exposición no controlada, la(s) antena(s) utilizada(s) para este transmisor deben ser instaladas de manera que proporcionen una distancia de separación de un mínimo de 20 cm de todas las personas y no deben ser cubiertas ni funcionar junto con otra antena o transmisor.

⚠ ADVERTENCIA: Para reducir el riesgo de fuego o choque eléctrico, no exponga este aparato a la lluvia ni a la humedad. Utilícelo solamente en ubicaciones secas. **UTILIZAR ÚNICAMENTE CON PAQUETES DE BATERÍAS DE PORTER CABLE. OTROS PUEDEN ESTALLAR Y PROVOCAR LESIONES PERSONALES Y DAÑOS. CUANDO ESTAS USANDO EL ENCHUFRE, FAVOR DE INSERTAR COMPLETAMENTE EN EL ENCHUFRE, SINO PUEDES INSERTAR COMPLETAMENTE, FAVOR DE NO USARLA.**

- ⚠ PRECAUCIÓN:** Para evitar el choque eléctrico, haga coincidir la pata ancha de la clavija con la ranura ancha de la toma de corriente e insértela completamente.
- **No desarme la radio. Llévela a un centro de mantenimiento autorizado cuando requiera mantenimiento o reparación.** El armado incorrecto puede representar un riesgo de descarga eléctrica, electrocución o incendio.
 - **Desconecte la radio del tomacorriente antes de proceder a limpiarla. Esto reducirá el riesgo de descarga eléctrica.** Si retira el paquete de baterías, no se reducirá este riesgo.
 - Esta radio está diseñada para funcionar con CA de 120 voltios, 60 Hz. También funciona con paquetes de baterías Porter-Cable. No utilice ningún otro voltaje.

La etiqueta de su herramienta puede incluir los siguientes símbolos. A continuación se indican los símbolos y sus definiciones:

V	voltios..amperios	A
Hz.....	hertz	W.....vatios
min.....	minutos	~.....corriente alterna
---.....	corriente directa	⎓.....corriente alterna o corriente directa
Ⓢ.....	Construcción de Clase I (tierra)	no.....no velocidad sin carga
Ⓜ.....	Construcción de Clase II (doble aislamiento)	Ⓧ..... Terminal para puesta a tierra
		⚠..... Símbolo de advertencia de seguridad
		NBC.....(no battery connection) sin conexión de batería

• **UTILICE EL CABLE PROLONGADOR ADECUADO.**

Asegúrese de que el cable prolongador esté en buenas condiciones. Cuando utilice un cable prolongador, asegúrese de que tenga la capacidad para conducir la corriente que su producto exige. Un cable de menor capacidad provocará una disminución en el voltaje de la línea, lo cual producirá una

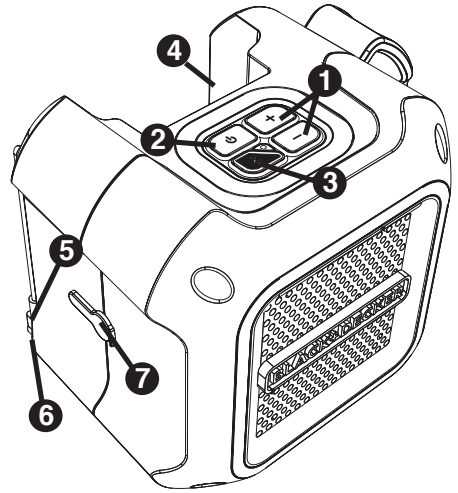
pérdida de potencia y sobrecalentamiento. La siguiente tabla muestra la medida correcta que debe utilizar según la longitud del cable y la capacidad nominal en amperios indicada en la placa de identificación. En caso de duda, utilice el calibre inmediatamente superior. Cuanto menor sea el número de calibre, más grueso será el cable.

Volts	Calibre mínimo para cables de extensión			
	Longitud total del cable en pies			
120V	0-25	26-50	51-100	101-150
	(0-7,6m)	(7,6-15,2m)	(15,2-30,4m)	(30,4-45,7m)
240V	0-50	51-100	101-200	201-300
	(0-15,2m)	(15,2-30,4m)	(30,4-60,9m)	(60,9-91,4m)
Amperaje	Más de	No más de	American Wire Gage	
0	- 6	18	16	14
6	- 10	18	16	12
10	- 12	16	16	12
12	- 16	14	12	No se recomienda

GUARDE ESTAS INSTRUCCIONES

COMPONENTES

1. Botones de volumen
2. Botón de encendido y apagado
3. Botón de modo Bluetooth/auxiliar
4. Puerto de la batería de 20 V MAX*
5. Conector auxiliar
6. Sujetador para conector auxiliar
7. Puerto de adaptador de CA (SOLO BDBTS20B)
8. Adaptador de CA (SOLO BDBTS20B; no se muestra)



ENCENDIDO Y APAGADO/AJUSTE DE VOLUMEN

1. Para utilizar un producto con cable (SOLO BDBTS20B), inserte el adaptador de CA (15) en el puerto del adaptador de CA (11), luego enchufe el adaptador en un generador o tomacorriente de CA adecuado.
2. Para utilizar un producto inalámbrico, inserte una batería Porter Cable de 20 V MAX* completamente cargada (no incluida) en el puerto de la batería (12). Asegúrese de que la batería esté completamente asentada.
3. Para encender la radio, oprima el botón de encendido y apagado (2). Presione el botón de encendido nuevamente para apagar la radio.
4. Para subir el volumen, oprima el botón de volumen superior (1). Para bajar el volumen, oprima el botón de volumen inferior.

NOTA: Si la batería está conectada a la radio y el adaptador de CA esté conectado al mismo tiempo, la radio funcionará en el adaptador y no descarga la batería. Teniendo ambos conectados simultáneamente no se carga la batería.

Bluetooth® Y FUNCIÓN AUXILIAR

Al encender el altavoz, estará automáticamente en modo Bluetooth. Para cambiar a modo auxiliar, mantenga oprimido el botón Bluetooth (3) hasta que la luz cambie a verde. Para cambiar de vuelta a modo Bluetooth, simplemente mantenga oprimido el botón Bluetooth nuevamente. La luz azul volverá a estar intermitente.

USO DE LA TECNOLOGÍA INALÁMBRICA Bluetooth® *

1. Encienda el altavoz.
2. El altavoz ya debe encontrarse en modo Bluetooth. Si no lo está, oprima el botón Bluetooth (3).
3. Busque "P3BTS" en los dispositivos de su dispositivo con capacidad Bluetooth y selecciónelo para vincularlo. La luz azul estará intermitente mientras se lleva a cabo la vinculación. Cuando la vinculación tenga éxito, la luz azul se mantendrá encendida.
4. Comience a reproducir música en su dispositivo.

NOTA: El altavoz no necesita encontrarse en el modo Bluetooth durante la vinculación, sino solo al escuchar.

*La marca denominativa y logotipos Bluetooth son marcas comerciales registradas de Bluetooth SIG, Inc. y cualquier uso de dichas marcas por parte de Porter Cable es con licencia. Todas las demás marcas comerciales y nombres comerciales pertenecen a sus respectivos dueños.

CÓMO ESCUCHAR EN MODO AUXILIAR

Para escuchar un dispositivo en modo auxiliar, mantenga oprimido el botón Bluetooth (3) hasta que la luz azul cambie a verde. Enchufe el conector auxiliar (5) en el puerto auxiliar de su dispositivo. Al finalizar, desenchufe el conector y guárdelo en el sujetador para conector auxiliar (6).

LLAMADA ENTRANTE

Si su teléfono recibe una llamada mientras se encuentra conectado a la radio, este sonará a través de los altavoces de la radio.

Samsung^{®**}

Para transferir la llamada a su teléfono, desactive la opción de auricular en su teléfono. La radio se mantendrá en silencio hasta que la llamada finalice.

Finalice la llamada normalmente con su teléfono celular. La radio reanudará la función anterior.

**Samsung[®] es una marca comercial registrada de Samsung Group.

iPhone^{®***}

Para transferir la llamada a su teléfono, seleccione "fuente de audio" en su teléfono y luego seleccione "iPhone". El altavoz se mantendrá en silencio hasta que la llamada finalice.

Finalice la llamada normalmente con su teléfono celular. La radio reanudará la función anterior.

***iPod[®] es una marca comercial registrada de Apple Inc.

DETECCIÓN DE PROBLEMAS

Problema	Causa posible	Solución posible
<ul style="list-style-type: none">• La unidad no enciende.	<ul style="list-style-type: none">• Cable desenchufado.• Fusible quemado.• El interruptor automático está activado.• Interruptor o cable dañado. interruptor en un centro de• La batería no está cargada.• La batería no está completamente conectada.• La batería no tiene suficiente energía.• La batería ha sido extraída.• El adaptador está desenchufado sin la batería en su lugar.• La alimentación hacia el tomacorriente está desconectada al utilizar el adaptador.• El dispositivo se desplazó fuera de alcance.	<ul style="list-style-type: none">• Enchufe el cargador en un tomacorriente que funcione.• Reemplace el fusible quemado. (Si repetidamente el producto hace que el fusible del circuito se quemé, deje de utilizarlo inmediatamente y haga que le realicen mantenimiento en un centro de mantenimiento Porter-Cable o en un centro de servicio autorizado.)• Reinicie el interruptor automático. (Si repetidamente el producto hace que el fusible del circuito se quemé, deje de utilizarlo inmediatamente y haga que le realicen mantenimiento en un centro de mantenimiento Porter-Cable o en un centro de servicio autorizado.)• Haga reparar el cable o el mantenimiento Porter-Cable o en un centro de mantenimiento autorizado.• Cargue la batería• Empuje la batería completamente dentro del puerto de la batería y asegúrese de que esté debidamente conectada.• Cargue la batería.• Reinstale la batería.• Enchufe el cargador en un tomacorriente o inserte debidamente la batería.• Asegúrese de que tomacorriente de pared esté recibiendo alimentación o inserte debidamente la batería.• Mueva el dispositivo dentro del alcance de la radio.
<ul style="list-style-type: none">• Bluetooth[®] desconectado.		

- Es posible que el dispositivo deba vincularse nuevamente a la radio. Consulte “Uso de la tecnología inalámbrica Bluetooth®”.
- Si dos o más dispositivos están vinculados a una radio, olvide la radio en la configuración de los demás dispositivos.

Para recibir asistencia con su producto, visite nuestro sitio web **www.blackanddecker.com** para conocer la ubicación del centro de mantenimiento más cercano o llame a la línea de ayuda de BLACK+DECKER al **1-800-544-6986**

MANTENIMIENTO

⚠️ ADVERTENCIA: Desconecte la radio del tomacorriente de CA antes de limpiarla. La suciedad y la grasa pueden eliminarse de la parte externa de la radio utilizando un paño. No utilice agua ni ninguna solución de limpieza.

⚠️ ADVERTENCIA: Nunca utilice solventes u otros químicos abrasivos para limpiar las piezas no metálicas de la radio. Estos productos químicos pueden debilitar los materiales utilizados en estas piezas. Utilice un paño humedecido sólo con agua y jabón suave. Nunca permita que penetre líquido dentro de la herramienta; nunca sumerja una parte de la herramienta en un líquido.

⚠️ PRECAUCIÓN: NUNCA rocíe ni aplique de ninguna otra forma lubricantes o solventes de limpieza dentro de la herramienta. Esto puede afectar gravemente la vida útil y el rendimiento de la herramienta.

NOTAS DE MANTENIMIENTO

El mantenimiento de este producto no puede ser realizado por el usuario. No hay piezas dentro de la radio a las que el usuario pueda dar mantenimiento. Se debe realizar el mantenimiento en un centro de mantenimiento autorizado para evitar daños a los componentes internos, sensibles a la estática.

PIEZAS DE REPUESTO

Utilice sólo piezas de repuesto idénticas. Para obtener una lista de piezas o para solicitar piezas, visite nuestro sitio Web en www.blackanddecker.com. También puede solicitar piezas al Centro de mantenimiento de fábrica BLACK+DECKER o al Centro de mantenimiento con garantía autorizado de BLACK+DECKER más cercanos. O bien, puede llamar a nuestro Centro de atención al cliente al (800) 544-6986.

MANTENIMIENTO Y REPARACIONES

El mantenimiento de este producto no puede ser realizado por el usuario. Dentro del cargador no hay piezas a las que el usuario pueda hacerles mantenimiento. El mantenimiento de la herramienta debe realizarse en un centro de mantenimiento autorizado para evitar daños a los componentes internos, sensibles a la estática. Para obtener información acerca de BLACK+DECKER, sus centros de mantenimiento o centros de mantenimiento con garantía autorizados, visite nuestro sitio web en www.blackanddecker.com o comuníquese con nuestro Centro de atención al cliente al (888) 848-5175. Todas las reparaciones realizadas en nuestros centros de mantenimiento están completamente garantizadas en relación con los materiales defectuosos y la mano de obra. No podemos otorgar garantías en relación con las reparaciones ni los intentos de reparación de otras personas.

También puede escribirnos solicitando información a BLACK+DECKER, 701 E. Joppa Road, Towson, Maryland 21286; referencia: Mantenimiento de productos. Asegúrese de incluir toda la información mencionada en la placa de la herramienta (número de modelo, tipo, número de serie, etc.).

ACCESORIOS

Los accesorios recomendados para ser utilizados con su herramienta se encuentran disponibles donde su distribuidor o centro de servicio autorizados locales. Si tiene alguna consulta acerca de estos accesorios, por favor llame al **1-800-544-6986**

⚠️ ADVERTENCIA: El uso de un accesorio que no sea recomendado para ser utilizado con esta herramienta podría ser peligroso.

GARANTÍA LIMITADA DE DOS AÑOS

Black & Decker (U.S.) Inc. garantiza que este producto está libre de defectos de material o mano de obra durante un periodo de dos (2) años desde la fecha de compra, siempre y cuando el producto se utilice en un entorno doméstico. Esta garantía limitada no cubre contra fallas debidas a mal uso, daño accidental o cuando se han realizado o intentado reparaciones por parte de cualquier otra persona ajena a BLACK+DECKER y sus centros de mantenimiento autorizados. Un producto defectuoso que cumple con las condiciones de la garantía establecidas en el presente documento será reemplazado o reparado sin costo de una dos maneras:

La primera, que únicamente dará lugar a intercambios, consiste en devolver el producto al comerciante minorista donde fue comprado (siempre y cuando la tienda sea un comerciante minorista participante). Las devoluciones deben realizarse dentro del período establecido en la política para intercambios del comerciante minorista. Es posible que se requiera el comprobante de compra. Consulte al comerciante minorista sobre su política específica de devoluciones con respecto a los límites de tiempo para devoluciones o intercambios. La segunda opción es llevar o enviar (pagado por adelantado) el producto a un centro de mantenimiento de propiedad o con autorización de BLACK+DECKER para su reparación o reemplazo a discreción de BLACK+DECKER. Es posible que se requiera un comprobante de compra. Los centros de mantenimiento de propiedad en línea en **www.blackanddecker.com**.

Esta garantía no se aplica a los accesorios. Esta garantía le otorga derechos legales específicos y es posible que tenga otros derechos que varían de un estado a otro. En caso de que tenga alguna pregunta, comuníquese con el gerente del centro de mantenimiento de BLACK+DECKER más cercano a usted. Este producto no está diseñado para uso comercial y, en consecuencia, dicho uso comercial de este producto anulará la garantía. Por medio del presente documento, se declina la responsabilidad de todas las demás garantías, explícitas o implícitas.

AMÉRICA LATINA: esta garantía no se aplica a los productos que se venden en América Latina. Para los productos que se venden en América Latina, debe consultar la información de la garantía específica del país que viene en el empaque, llamar a la compañía local o visitar el sitio Web a fin de obtener esa información.

**· GARANTÍA BLACK+DECKER · BLACK+DECKER WARRANTY
· SOLAMENTE PARA PROPOSITOS DE MEXICO**

Distributor Name · *Sello firma del distribuidor*

Date of purchase · *Fecha de compra*

Invoice No. · No. de factura

PRODUCT INFORMATION · *IDENTIFICACIÓN DEL PRODUCTO*

Cat. No. · *Catalogo ó Modelo*

Serial Number · No. de serie

Name · *Nombre*

Last Name · Apellido

Address · *Dirección*

City · *Ciudad*

State · Estado

Postal Code · *Código Postal*

Country · País

Telephone · *No. Teléfono*

2 AÑOS DE GARANTIA

Este producto cuenta con dos años de garantía a partir de la fecha de compra contra cualquier defecto de su funcionamiento, así como cualquier falla debido a materiales empleados para su fabricación ó mano de obra defectuosa.

Nuestra garantía incluye la reparación o reposición del producto y/o componentes sin cargo alguno para el cliente incluyendo la mano de obra, esta incluye los gastos de trasportación erogados para lograr cumplimiento de esta garantía en los domicilios diversos señalados.

Para hacer efectiva esta garantía deberá presentar su herramienta y esta póliza sellada por el establecimiento comercial donde se adquirió el producto.

Nos comprometemos a entregar el producto en un lapso no mayor a 30 días hábiles contados a partir de la fecha de recepción del mismo en nuestros talleres de servicio autorizados.

ESTA GARANTIA NO APLICA CUANDO:

El producto se hubiese utilizado en condiciones distintas a las normales.

El producto no hubiese sido operado de acuerdo con el instructivo de uso que se acompaña.

El producto hubiese sido alterado o reparado por personas no autorizadas por nosotros.

Importador: Black & Decker S.A. de .C.V

Bosque de Cidros Acceso Radiatas No.42

3ra.Seccion de Bosques de las lomas

C.P.05120, Mexico, D.F. Tel: (01 55) 5326 7100

SOLAMENTE PARA PROPOSITOS DE MEXICO

Grupo Realsa en herramientas, S.A. de C.V.

Súper Manzana 69 MZ.01 Lote 30
(Av. Torcasita)
Col. Puerto Juárez
Cancún, Quintana Roo
Tel. 01 998 884 72 27

Ferre Pat de Puebla, S.A. de C.V.

16 de Septiembre No. 6149
Col. El Cerrito
Puebla, Puebla
Tel. 01 222 264 12 12

Ferre Pat de Puebla, S.A. de C.V.

Ejército Mexicano No. 15
Col. Ejido 1ro. de Mayo
Boca del Río, Veracruz
Tel. 01 229 167 89 89

Servicio de Fabrica BLACK+DECKER, S.A. de C.V.

Lázaro Cardenas No. 18
Col. Obrera
Distrito Federal
Tel. 55 88 95 02

Representaciones Industriales Robles, S.A. de C.V.

Tezozomoc No. 89
Col. La Preciosa
Distrito Federal
Tel. 55 61 86 82

Gpo. Comercial de Htas. y Refacciones de Occidente, S.A. de C.V.

Av. La Paz No. 1779
Col. Americana, S. Juárez
Guadalajara, Jalisco
Tel. 01 33 38 25 69 78

Herramientas y Equipos Profesionales

Av. Colón 2915 Ote.
Col. Francisco I. Madero
Monterrey, Nvo. León
Tel. 01 81 83 54 60 06

Htas. Portátiles de Chihuahua, S.A. de C.V.

Av. Universidad No. 2903
Col. Fracc. Universidad
Chihuahua, Chihuahua
Tel. 01 614 413 64 04

Fernando González Armenta

Bolivia No. 605
Col. Felipe Carrillo Puerto
Cd. Madero, Tamaulipas
Tel. 01 833 221 34 50

Perfiles y Herramientas de Morelia

Gertrudis Bocanegra No. 898
Col. Ventura Puente
Morelia, Michoacán
Tel. 01 443 313 85 50

Enrique Robles

Av. de la Solidaridad No. 12713
Col. La Pradera
Irapuato, Guanajuato
Tel. 01 462 626 67 39

Hernández Martínez Jeanette

Prolongación Corregidora Nte. No. 1104
Col. Arboledas
Querétaro, Qro.
Tel. 01 442 245 25 80

PARA OTRAS LOCALIDADES LLAME AL 01 800 847 2309 o 01 800 847 2312.

BLACK & DECKER S.A. DE C.V.
BOSQUES DE CIDROS ACCESO RADIATAS NO. 42
COL. BOSQUES DE LAS LOMAS.
05120 MÉXICO, D.F.
TEL. (01 55) 5326 7100
01 800 847 2309/01 800 847 2312

