



BY-BM3031

On-Camera Shotgun Microphone

Instruction Manual

Thanks for choosing BOYA!

The BOYA BY-BM3031 is a Super-cardioid condenser shotgun microphone that delivers high-quality sound for DSLRs, camcorders, audio recorders and more.

It features a three-level gain switch that provides a +20 dB boost, 0 dB unity gain, or -10 dB pad to prevent distortion from audio overload. And also features a switchable high-pass filter at 80 Hz to roll off unwanted low-frequency noise and rumble.

The lightweight mic attaches easily to any camera equipped with a 3.5mm microphone jack or to a boom pole, and integrates a built-in shock mount that helps eliminate unnecessary vibrations that create excessive background noise.

This mic includes a foam windscreen and fur windscreen that helps to decrease vocal plosives and wind noise when recording dialog and powered by two pieces of AA batteries (not included) for up to 120 hours.

PACKAGE CONTENTS

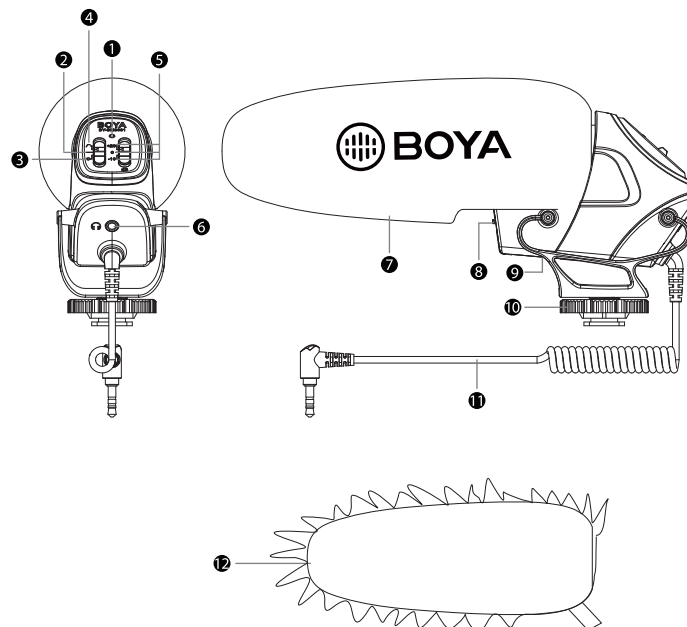
- Microphone
- Foam windscreen
- Fur windscreen
- Carrying pouch
- Quick Setup Guide

INSTRUCTURE

1. Power Indicator
2. Mic ON (FLAT)
3. Mic OFF
4. Mic ON (High Pass Filter)
5. Three position level control (-10dB, 0, +20dB)
6. 3.5mm headphone Jack
7. Foam windscreen
8. Battery Compartment
9. Shock Mount
10. Camera Shoe Mount with 1/4" Thread
11. 3.5mm TRS Audio cable

Note: Cable in illustrations is shown shorter for clarity. The actual cable is longer than the one pictured.

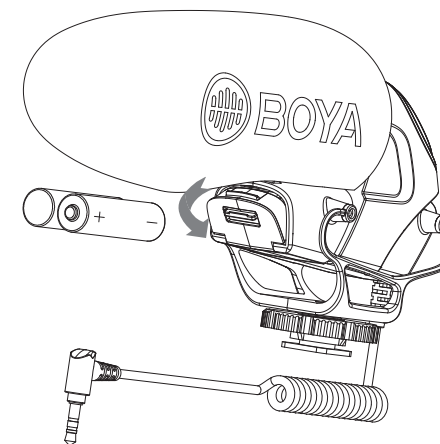
12. Fur windscreen



HOW TO USE

Installing the battery

1. Press the bottom of battery compartment lid down and lift it up.
2. Insert the AA battery. Make sure that the + and - signs match the symbols in the compartment.
3. Replace the battery compartment lid.



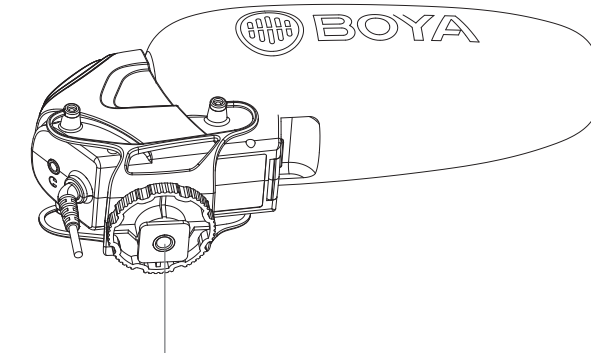
SETTING UP YOUR MICROPHONE

To attach your microphone to a camera:

1. Loosen the locking knob, then slide your microphone's shoe mount onto your camera.
2. Tighten the locking knob to secure your microphone.
3. Connect the 3.5 mm audio cable to your camera.

To attach your microphone to a tripod:

1. Tighten the microphone to the 1/4" screw on a tripod or tripod plate. See the instructions that came with your tripod for more information.
2. Connect the 3.5 mm audio cable to your camera.



1/4" mounting threads

USING YOUR MICROPHONE

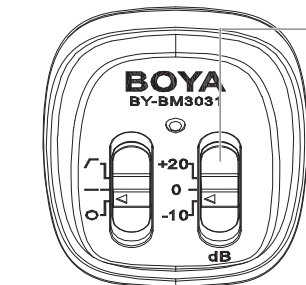
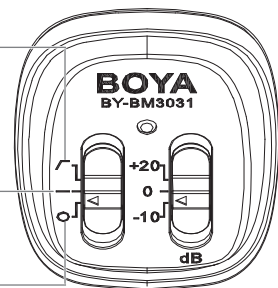
- 1 Turn on your camera.
2. Slide the power switch to ON (—, Flat), the LED indicator lights up.

To use the low-cut filter switch, slide up (↗) to turn the filter on.

To turn off low-cut filter switch, slide to (—)

To turn off the microphone, slide to (o).

Note: The low-cut filter minimizes the impact of low frequency hum, camera motor noise, and similar low frequency ambient noise.



The Output Gain Control Button control will switch the microphone output gain between 0, -10 and +20dB. Press the Output Gain Control Buttons to cycle through the three settings.

Note:
 - Use the microphone boost switch to raise the output of the microphone by 20dB without having to get closer to the subject.
 - Take care when setting the audio levels especially while wearing headphones.

3. Aim the microphone at the sound source and away from unwanted sound sources (only if used on a tripod).

Tip: If using a tripod, the microphone could be held below or above as well as straight in-front of the sound source.

4. Slide the power switch to OFF when you finished recording.

TROUBLESHOOTING

Problem	Solution
No sound was recorded	Make sure that two fresh AA batteries are installed and correctly oriented in the battery compartment. Make sure the power switch on the microphone is set to the ON position and the LED indicator is on. Make sure that 3.5mm mini plug is connected to the correct AUDIO INPUT jack on the device to which you are recording.
Microphone stops working	Verify LED is lit when power switch is in the ON position. Replace battery if not.
Sound is too quiet	Enable the microphone boost (+20dB switch), move closer to the subject, consult camera owner's manual for audio recording settings.
Sound is distorted	Make sure the microphone boost is switched off, move away from the subject, consult camera owner's manual for audio recording settings.
The microphone is stuck in the camera's shoe mount	Make sure the locking wheel is fully loosened.

MAINTAINING YOUR MICROPHONE

- Keep your microphone away from dust, moisture, or water.
- To clean the housing, wipe with a dry micro-fiber cloth to remove dust.
- Store your microphone in the included pouch to protect it from dirt and dust.

IMPORTANT SAFETY INFORMATION

- Make sure that you follow all safety notes.
- Keep these instructions for use in a safe place. If you sell the equipment or pass it on to someone else, you should also pass on these instructions for use.

Marking on the devices



Waste disposal and protection of the environment

Electric and electronic appliances, as well as batteries, must not be disposed of together with domestic waste. The user is legally obliged to return electric and electronic appliances as well as batteries to specially set up public collecting points or the sales outlet once they have reached the end of their service life. Details are regulated by national law. The symbol on the product, the instructions for use, or the packaging refers to these provisions. The recycling of waste equipment/batteries is an important contribution to the protection of our environment.



Danger of fire and short-circuit

- Do not operate the device with wet hands.
- Clean the equipment only in the way described in *Maintaining Your Microphone*
- Take care to avoid dropping the equipment. Make sure that the device is properly fastened and reliably mounted. If the device has been dropped, have it inspected by a skilled technician before you switch it on again.
- Should the equipment be damaged or defective, or if you notice a scorching smell, remove the batteries immediately. Do not operate the device with a damaged housing and do not repair the device yourself. Have the device only repaired by a skilled service person.
- Always keep your device in good condition, as specified in these instructions for use.
- Do not tamper with or alter the internal components of the microphone.

Danger of suffocation caused by small parts

- Keep the device out of the reach of children and pets.

Precautionary measure when using the batteries.

- Batteries/power packs, if inappropriately handled, can run out or explode.
- Please observe the following notes on safety when handling batteries to be used in this device:
 - Use only batteries mentioned in these operating instructions.
 - Do not discard of the batteries in a fire and do not expose them to direct heat.

- In order to avoid damage to the product, you must make sure that you remove the batteries, if you do not use the product over a long period of time, or if the batteries have been discharged.
- If battery fluid comes into contact with skin or clothes, rinse it off immediately with fresh water.

FEATURES:

- Broadcast recording quality microphone for clear, precise audio
- Super-cardioid polar pick up pattern
- Lower Noise and Higher Sensitivity
- Two step High Pass Filter (flat, 80Hz)
- Three position level control (-10dB, 0, +20dB)
- 1/4" Threaded Mount
- 3.5 Output Plug
- Durable ABS Construction

SPECIFICATION :

Acoustic Principle:	Line Gradient
Directional Pattern:	Super Cardioid
Frequency Response:	40-20,000Hz
Sensitivity :	-32dB±3dB@1KHz
Signal to Noise Ratio :	80dB
Dynamic Range :	120 dB
Output Impedance :	200 Ohms
Power Supply :	2 x AA batteries (not included)
Operating time with battery :	120H
PAD Switch:	-10dB,0dB,+20dB
High Pass Filter :	Two-step (flat, 80 Hz)
Output Connectors :	3.5 mm (1/8") stereo mini-jack
Size:	209.7 x 103.3 x 50mm (8.2" x 4" x 2")
Weight:	132g (4.7 oz)

www.boya-mic.com

SHENZHEN JIAYZ PHOTO INDUSTRIAL., LTD.

The BOYA logo is a trademark which is registered and owned by Shenzhen Jiayz Photo Industrial., Ltd.
 COPY RIGHT 2010-2020
 Email: sales@boya-mic.com
www.boya-mic.com / www.jiayz.com

jiayz™

深圳市长丰影像器材有限公司

产品/零件名称	BY-BM3031说明书	比例	1 : 1	版本	V01
工程图号	BY-BM3031说明书V01	物料描述	105g双铜纸 双面印刷 5折页		
物料编号	1F14015BY0120	尺寸/用量	尺寸：105x178mm	1PCS	
制图人/日期	吴蒙蒙/2018/10/9	审核/日期			