

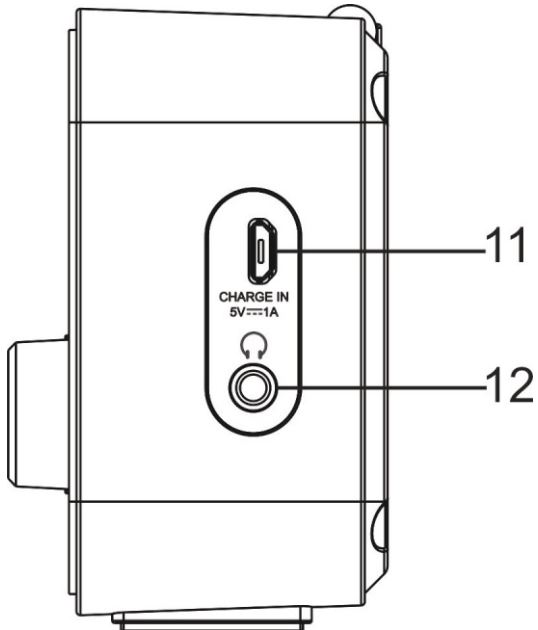
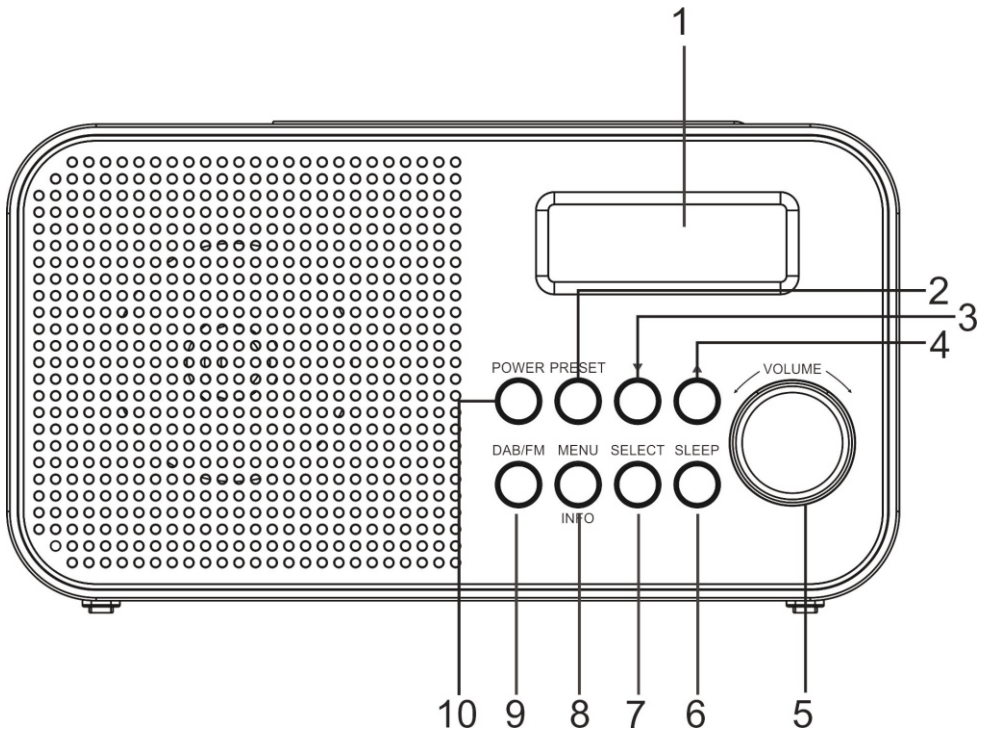
# Camry

— Premium —



## CR 1179

- |                                      |                                     |
|--------------------------------------|-------------------------------------|
| (GB) user manual - 3                 | (DE) bedienungsanweisung - 6        |
| (FR) mode d'emploi - 10              | (ES) manual de uso - 13             |
| (PT) manual de serviço - 16          | (LT) naudojimo instrukcija - 20     |
| (LV) lietošanas instrukcija - 23     | (EST) kasutusjuhend - 26            |
| (HU) felhasználói kézikönyv - 35     | (BS) upute za rad - 32              |
| (RO) Instrucțiunea de deservire - 29 | (CZ) návod k obsluze - 46           |
| (RU) инструкция обслуживания - 55    | (GR) οδηγός χρήσεως - 42            |
| (MK) упатство за корисникот - 39     | (NL) handleiding - 49               |
| (SL) navodila za uporabo - 52        | (FI) manwal ng pagtuturo - 62       |
| (PL) instrukcja obsługi - 86         | (IT) istruzioni operative - 81      |
| (HR) upute za uporabu - 59           | (SV) instruktionsbok - 65           |
| (DK) brugsanvisning - 74             | (UA) інструкція з експлуатації - 77 |
| (SR) Корисничко упутство - 71        | (SK) Používateľská príručka - 68    |



SAFETY CONDITIONS IMPORTANT INSTRUCTIONS ON SAFETY OF USE PLEASE  
READ CAREFULLY AND KEEP FOR FUTURE REFERENCE

The warranty conditions are different, if the device is used for commercial purpose.

1. Before using the product please read carefully and always comply with the following instructions. The manufacturer is not responsible for any damages due to any misuse.
2. The product is only to be used indoors. Do not use the product for any purpose that is not compatible with its application.
3. The applicable voltage is 230V, ~50Hz. For safety reasons it is not appropriate to connect multiple devices to one power outlet.
4. Please be cautious when using around children. Do not let the children to play with the product. Do not let children or people who do not know the device to use it without supervision.
5. **WARNING:** This device may be used by children over 8 years of age and persons with reduced physical, sensory or mental capabilities, or persons without experience or knowledge of the device, only under the supervision of a person responsible for their safety, or if they were instructed on the safe use of the device and are aware of the dangers associated with its operation. Children should not play with the device. Cleaning and maintenance of the device should not be carried out by children, unless they are over 8 years of age and these activities are carried out under supervision.
6. After you are finished using the product always remember to gently remove the plug from the power outlet holding the outlet with your hand. Never pull the power cable!!!
7. Never put the power cable, the plug or the whole device into the water. Never expose the product to the atmospheric conditions such as direct sun light or rain, etc.. Never use the product in humid conditions.
8. Periodically check the power cable condition. If the power cable is damaged the product should be turned to a professional service location to be replaced in order to avoid hazardous situations.
9. Never use the product with a damaged power cable or if it was dropped or damaged in any other way or if it does not work properly. Do not try to repair the defected product yourself because it can lead to electric shock. Always turn the damaged device to a professional service location in order to repair it. All the repairs can be done only by authorized service professionals. The repair that was done incorrectly can cause hazardous situations for the user.
10. Never put the product on or close to the hot or warm surfaces or the kitchen appliances like the electric oven or gas burner.
11. Never use the product close to combustibles.
12. Do not let cord hang over edge of counter or touch hot surfaces.
13. Never leave the product connected to the power source without supervision. Even when use is interrupted for a short time, turn it off from the network, unplug the power.
14. In order to provide additional protection, it is recommended to install residue current

device (RCD) in the power circuit, with residual current rating not more than 30 mA.

Contact professional electrician in this matter.

15. Avoid getting the radio wet.

16. The radio may only be wiped with a dry cloth. Do not use water or cleaning fluids.

17. Special discs for cleaning the CD player should be used regularly.

18. The radio should be kept in a dry room.

Device Description (Dab Radio):

1. LCD Display 2. Preset button 3. Previous / Scan 4. Next 5. Volume +/- Button 6. Sleep 7. Select / Snooze  
8. Menu/Info 9. DAB/FM 10. Power ON/OFF 11. Micro-USB 12. 3.5mm Headphone Jack.

First Setup:

1. Make sure the device is fully charged. To do that connect the device by the Micro USB cable to a suitable power source.
2. Press and hold the Power button (10) for 2 seconds.
3. The first time the DAB Digital Radio
4. When your DAB Digital Radio is using the power adapter, press the POWER (10) button to switch 'on' and 'standby'. Unplug the power adapter to turn off your Digital Radio completely.
5. When your DAB Digital Radio is using batteries, Press and hold the POWER (10) Button for 2 seconds or switch 'off'.s switch, it will start up DAB mode. It will automatically scan for the available radio stations.

DAB/FM button

Switching to DAB/FM mode

1. The first time the DAB Digital Radio is switched, it will start up DAB mode.
2. If the device is in DAB mode, press the DAB/FM (9) button repeatedly until FM is shown on the display.
3. Once in FM mode, your DAB Digital Radio will tune to the start of the available FM range (87.50MHz) or the last FM station listed.
4. To manually change the FM frequency, make sure that you have not selected any other sub-menus. Turn the TU+/- (to change the frequency by 0.05MHz).

Changing the DAB display information

1. If the DAB Digital Radio is in DAB mode, press MENU/INFO (8) button to select different info to show on the display, such as DLS (Dynamic Label Segment), signal strength, PTY (Program Type), ensemble, frequency, signal quality, bit rate codec, time, date.
2. If the DAB Digital Radio is in FM mode, press the MENU/INFO (8) button to select different info to show on the display, such as radio text, PTY (Program Type), PS (Program Service), stereo/mono, time, date.

DAB mode – choosing menu options

1. If the DAB Digital Radio is in DAB mode, press and hold MENU/INFO (8) button to enter the menu list to Press the Next/ Previous(3,4) button to select the option through the list of menu. Then, stop at your preferred option and Push the SELECT (7) button to confirm. The menu options are: full scan, manual tune, DRC, prune, system.
  2. Full scan – under menu list, press the Next/ Previous (3,4) button to select "Full scan" through the list of menu, Push SELECT (7) button to confirm and full scan starts automatically to Once a scan is completed, the radio returns to play the previously-selected station or first station on the station list.
- Note: if no radio station found, it shows "No DAB Station". For better reception, extend the antenna or do the full scan again in another place.
3. Manual tune – as well as the normal method of scanning, you can also manually tune to a particular channel/frequency. This can be useful for adjusting your antenna to achieve the best possible reception and scanning a particular channel to update the station list. Under the menu list, press the Next/Previous (3,4) button to select "Manual tune" through the list of menu, Push Select (7) button to confirm. Then press the Next/ Previous (3,4) button to select a particular channel/frequency and then Push SELECT (7) button to confirm the setting to The display shows a live indication of the received signal strength on the selected frequency. Adjustments to your antenna will be manifested in the received signal strength displayed.
  5. Prune – this removes all invalid stations indicated in the station list with a '?' in front of the station name. Under menu list, press the Next/ Previous(3,4) button to select "Prune" through the list of menu, Push SELECT(7) button to confirm to Then press the Next/ Previous(3,4) button to select <Yes>, and Push SELECT(7) button to confirm

6.0. Time – if there are any DAB+ radio signal, the machine will automatically update the time, there is no signal, can also be set manually.

\*Set Time/Date: set hour / set minute / set month / set date>set year > saved

\*Auto-update options: update from Any / update from DAB/update from FM / no update

\*Set 12/24 hour: 12hour/24hour

\*Set date format: DD-MM-YYYY/MM-DD-YYYY Cycle through Time menu by Push the SELECT (7) button, select a particular option, and Push the SELECT (7) button changes.

- 6.1. Backlight – this radio display has a backlight which can be adjustable. You can select the time out of the display backlight of your radio. Under the system menu, press the Next/Previous (3,4) button to select "Backlight" through the list of menu, Push the SELECT

(7) button to confirm to 'High', 'Medium' or 'Low'.

- 6.2. Language – The language used for display messages can be selected from below options: English | Francais Under the system menu, press the Next/ Previous(3,4) button to select "Language" through the list of menu, Push the SELECT(7) button to confirm. Cycle through the Language menu by press the Next/ Previous (3,4) button, select and stop at a particular language, Push the SELECT (7) button to confirm.
- 6.3. Factory Reset – This function clears all user-defined settings, replacing them with the original default values, so time/date, preferences/settings, DAB station list, and preset stations are all lost. Under the system menu, press the Next/ Previous(3,4) button to select "Factory Reset" through the list of menu, Push the SELECT(7) button to confirm to. Then, use the Next/ Previous(3,4) button to choose <Yes> and Push the SELECT(7) button to start the factory reset.
- 6.4. Software version – this is used to display the current software version.  
Under the system menu, press the Next/ Previous button to select "Software version" through the list of menu, Push the SELECT button to confirm. Then, the existing SW version will be showed.

FM mode – choosing menu options

1. If the DAB Digital Radio is in FM mode, press and holds the MENU/ INFO(8) button to enter the menu list too. Press the Next/ Previous(3,4) button to select the option through the list of menu. Then, stop at your preferred option and Push the SELECT(7) button to confirm. The menu options are scan setting, audio setting, system.
2. Scan setting – by default, FM scans stop at any available station (All stations). This may result in poor quality audio from weak stations. Options: Strong stations only / All stations Under menu list, press the Next/ Previous(3,4) button to select a particular option in "Scan setting", then Push the SELECT(7) button to confirm the change to the new setting.
3. Audio setting – by default, all stereo stations are reproduced in stereo. For weak stations, this may result in poor quality audio. The audio quality can be improved using mono. Options: Stereo allowed | Forced mono Under menu list, press the Next/ Previous(3,4) button to select a particular option in "Audio setting" then Push the SELECT(7) button to confirm the change to the new setting. It will automatically change to a new setting after 3 seconds.

PRESET button

Preset 20 DAB stations and 20 FM favorite stations

1. Store a station to the preset list – to store a station, selected your desired radio station, then press and hold the PRESET(2) button for a second until the LCD display "Preset store #:(Empty)", or "#: saved radio station".
2. Either press the Next/ Previous(3,4) button to select your desired station preset number, Push on the SELECT(7) button to confirm your selection, the display will show "Preset # Stored".

Recall a station from the Preset list

1. To recall a preset station, press the "PRESET" button once, either rotate the Next/ Previous(3,4) button to select presets station that you have stored. When the display shows your desired preset number, Push SELECT (7) button to confirm.

Note: If you choose a preset that hasn't been allocated a station, then "Empty" will be displayed.

Next/ Previous button

Choosing radio stations or options

1. If the DAB Digital Radio is in DAB mode, press the Next/ Previous(3,4) button to cycle through the radio station list when you are listening. Or press the Next/ Previous(3,4) button to cycle through the menu list for options.
2. If the DAB Digital Radio is in FM mode, press the Next/ Previous(3,4) button to manually adjust the frequency by 0.05MHz. Or you can press and hold TU+/- (3,4) button to auto-scan station. Or press the Next/ Previous(3,4) button to cycle through the menu list for options.

VOLUME +/- button

adjusting volume

Turn the Volume dial to increase or decrease the volume.

SETTING ALARMS AND TIMERS

You can set two alarms, which can tune to a radio station or sound alone.

Note: Alarms only sound when is switched on or in standby mode, and connected to a power supply.

Alarms do not sound when is switched off.

Setting an alarm

1. Press hold the Menu Button(8) for 2 seconds to view the main menu.
2. Turn and press the Next/ Previous(3,4) button to select 'System' > 'alarm'.
3. Press the Select(7) button to change the 'Alarm 1 wizard'
4. Pressing the Next/ Previous(3,4) Button to adjust the hours and minutes, press Select(7) to confirm each section.
5. Press the Select button select 'Source'.
6. Press the Next/ Previous(3,4) button to select Buzzer', 'FM' or 'DAB', then press the Select(7) Button to confirm.
7. If you've chosen 'Digital Radio' or 'FM' radio, Press the Next/ Previous(3,4) button to select 'Preset(2)'. To play the station you last listened to, turn and press the Select dial to select 'Last listened' or turn and press the Next/ Previous(3,4) button to choose a radio station from the preset list.

Note: Skip this step if you are setting a Tone alarm.

8. Press the Next/ Previous(3,4) button to select 'Daily', 'once', 'weekends' or 'weekdays'. then press the Select(7) Button to confirm.
9. Press the Next/ Previous(3,4) button select 'Volume'. Press the Select(7) Button to confirm.
10. Turn and press Select(7) to turn 'Alarm' to 'On'.
11. Turn and press Select(7) to turn 'Alarm saved'.

#### Setting the sleep timer

1. Press hold the Menu Button for 2 seconds to view the main menu.
2. Turn and press the Next/ Previous(3,4) button to select 'System' > 'Sleep'.
3. Turn and press the Next/ Previous(3,4) button to adjust the length of the sleep timer.

#### Canceling a sounding alarm

Press Standby(10) to cancel any sounding alarm or press Source to cancel and leave the radio on.

#### Snoozing a sounding alarm

To snooze a sounding alarm, press the Select/Snooze(7) Button. The display will show a countdown timer to show how long the alarm will snooze. To adjust the amount of time the alarm will be snoozed by, press the Continuous Select/Snooze(7) Button to change the snooze duration in 5-minute intervals up to 15 minutes, and then 30 minutes. To cancel a snoozing alarm press the Standby(10) button.

Frequencies Digital:	Band III 174-240 MHz, FM: 87.5-108 MHz
Receiving power supply	5V (1A) DC micro-USB (cable supplied)
Lithium-ion rechargeable battery	(2000 mAh)
Inputs	5V DC (1A) Micro-USB power socket

Device is made in class II of insulation.  
Device is compliant with EU directives:  
Low voltage directive (LVD)  
Electromagnetic compatibility (EMC)  
Device marked CE mark on rating label



To protect your environment: please separate carton boxes and plastic bags and dispose them in corresponding waste bins. Used appliance should be delivered to the dedicated collecting points due to hazardous components, which may affect the environment. Electrical appliance must be returned in order to reduce its reuse and utilization. If the device contains batteries they should be delivered to dedicated points separately.

## DEUTSCH

### ALLGEMEINE SICHERHEITSVORSCHRIFTEN LESEN SIE AUFMERKSAM WICHTIGE ANWEISUNGEN BEZÜGLICH DER SICHERHEIT DER BENUTZUNG BEWAHREN SIE DIESE FÜR DIE ZUKUNFT AUF

Bei Verwendung des Gerätes zu gewerblichen Zwecken werden die Garantiebedingungen geändert.

1. Vor dem ersten Gebrauch, die Bedienungsanleitung lesen und die dort angegebenen Hinweise beachten. Der Produzent trägt keine Verantwortung für Schäden, die aufgrund von bestimmungswidriger Nutzung oder unsachgemäßer Bedienung entstanden sind.
2. Das Gerät ist nur für den Hausgebrauch verwendet. Verwenden Sie es nicht für andere Zwecke als den bestimmungsgemäßen Gebrauch.
3. Das Gerät ausschließlich an die Steckdose 230 V - 50 Hz anschließen. Es darf nicht zu anderen, bestimmungswidrigen Zwecken benutzt werden. Wegen Vorsichtsmaßnahmen, sollten keine weiteren Geräte an den gleichen Stromkreis angeschlossen werden.
4. Falls sich Kinder in der Nähe befinden, sollte bei der Nutzung des Gerätes spezielle Vorsicht bewahrt werden. Dieses Gerät ist nicht zum Spielen für Kinder, sowie für Erwachsene, die sich mit der Bedienungsanleitung nicht vertraut gemacht haben, geeignet.
5. **WARNHINWEIS:** Dieses Gerät kann von Kindern im Alter von über 8 Jahren sowie von Personen von einer beschränkten körperlichen, sensorischen, psychischen Fähigkeit oder von Personen, die keine Erfahrung oder kein Kenntnisse von dem Gerät haben, nur dann



genutzt werden, wenn die Nutzung unter Aufsicht einer Person, welche die Verantwortung für deren Sicherheit trägt, stattfindet oder diesen Personen Ratschläge bezüglich der sicheren Benutzung des Geräts erteilt wurden und sie sich den mit seiner Benutzung verbundenen Gefahren bewusst sind. Kinder dürfen nicht mit dem Gerät spielen. Die Reinigung und die Unterhaltung des Geräts dürfen nicht von Kindern durchgeführt werden, es sei denn, dass diese Kinder im Alter von über 8 Jahren sind und diese Tätigkeiten unter Aufsicht durchgeführt werden.

6. Nach der Benutzung, den Stecker aus der Steckdose ziehen und dabei die Steckdose mit der Hand festhalten. NIEMALS am Kabel ziehen.

7. Das Kabel, die Buchse, sowie das ganze Gerät nicht in Wasser oder andere Flüssigkeiten tauchen. Das Gerät vor Regen, Sonne usw. und vor Feuchtigkeit (z.B. im Badezimmer oder Campingwagen) schützen.

8. Regelmäßig das Kabel prüfen. Falls das Kabel beschädigt ist, sollte es in einem spezialisierten Service ausgetauscht werden, um ev. Gefährdung zu vermeiden.

9. Falls das Kabel oder ein anderer Teil des Gerätes beschädigt oder das Gerät fallen gelassen wurde oder nicht ordnungsgemäß arbeitet, sollte es nicht benutzt werden. Das Gerät darf nicht durch unbefugte Personen repariert werden, da die Gefahr eines Stromstoßes besteht. Ein beschädigtes Gerät in einem spezialisierten Service zur Kontrolle oder Reparatur abgeben. Jegliche Reparaturen dürfen nur durch einen spezialisierten Service vorgenommen werden. Eine nicht korrekt ausgeführte Reparatur kann das Leben des Benutzers gefährden.

10. Das Gerät auf eine kühle, gerade Fläche, entfernt von wärmeausstrahlenden Geräten, wie: Elektroherd, Gasherd, usw. stellen.

11. Das Gerät nicht in der Nähe von leicht entzündlichen Materialien benutzen.

12. Das Kabel darf nicht außerhalb der Tischkante hängen oder heiße Flächen berühren.

13. Lassen Sie das Gerät oder den Adapter nicht unbeaufsichtigt, wenn es an das Stromnetz angeschlossen ist.

14. Es wird empfohlen, für zusätzlichen Schutz den Fehlerstromschutzschalter (RCD), dessen Bemessungsdifferenzstrom 30 mA nicht übersteigt, zu installieren. In diesem Bereich wenden Sie sich an einen Fachelektriker.

15. Das Radio darf nicht dem Einfluss von Nässe ausgesetzt werden.

16. Das Radio darf nur mit einem trockenen Tuch abgewischt werden. Benutzen Sie weder Wasser noch Reinigungsmittel.

17. Zur Reinigung des CD-Players sind regelmäßig spezielle Compact-Disks zu verwenden.

18. Das Radio ist in einem trockenen Raum aufzubewahren.

Gerätebeschreibung (Dab Radio):

1. LCD-Display 2. Voreinstellungstaste 3. Zurück / Scannen 4. Weiter 5. Lautstärke +/- Taste 6. Ruhezustand 7. Auswählen / Schlummern 8. Menü / Info 9. DAB / FM 10. Ein- / Ausschalten 11. Micro-USB 12. 3,5-mm-Kopfhöreranschluss.

Erstes Setup:

1. Stellen Sie sicher, dass das Gerät voll aufgeladen ist. Schließen Sie dazu das Gerät über das Micro-USB-Kabel an eine geeignete Stromquelle an.

2. Halten Sie die Netztaaste (10) 2 Sekunden lang gedrückt.

3. Das erste Mal das DAB Digital Radio

4. Wenn Ihr DAB-Digitalradio das Netzteil verwendet, drücken Sie die POWER-Taste (10), um das Gerät einzuschalten und in den Standby-Modus zu schalten. Ziehen Sie den Netzadapter ab, um das Digitalradio vollständig auszuschalten.

5. Wenn Ihr DAB-Digitalradio Batterien verwendet, halten Sie die POWER-Taste (10) 2 Sekunden lang gedrückt oder schalten Sie den Schalter aus, um den DAB-Modus zu starten. Es wird automatisch nach verfügbaren Radiosendern gesucht.

DAB / FM-Taste

Umschalten in den DAB / FM-Modus

1. Beim ersten Einschalten des DAB-Digitalradios wird der DAB-Modus gestartet.

2. Wenn sich das Gerät im DAB-Modus befindet, drücken Sie wiederholt die Taste DAB / FM (9), bis FM im Display angezeigt wird.

3. Im UKW-Modus stellt Ihr DAB-Digitalradio den Anfang des verfügbaren UKW-Bereichs (87,50 MHz) oder den zuletzt aufgeführten UKW-Sender ein.

4. Um die UKW-Frequenz manuell zu ändern, stellen Sie sicher, dass Sie keine anderen Untermenüs ausgewählt haben. Drehen Sie den TU +/- (, um die Frequenz um 0,05 MHz zu ändern.

Ändern der DAB-Anzeigeinformationen

1. Wenn sich das DAB-Digitalradio im DAB-Modus befindet, drücken Sie die Taste MENU / INFO (8), um verschiedene Informationen auszuwählen, die auf dem Display angezeigt werden sollen, z. B. DLS (Dynamic Label Segment), Signalstärke, PTY (Programmtyp),

Ensemble, Frequenz, Signalqualität, Bitraten-Codec, Uhrzeit, Datum.

2. Wenn sich das DAB-Digitalradio im UKW-Modus befindet, drücken Sie die Taste MENU / INFO (8), um andere Informationen auszuwählen, die auf dem Display angezeigt werden sollen, z. B. Radiotext, PTY (Programmtyp), PS (Programmdienst), Stereo / Mono, Uhrzeit, Datum.

DAB-Modus - Auswählen von Menüoptionen

1. Wenn sich das DAB-Digitalradio im DAB-Modus befindet, halten Sie die Taste MENU / INFO (8) gedrückt, um die Menüliste aufzurufen. Drücken Sie die Taste Next / Previous (3,4), um die Option in der Menüliste auszuwählen. Halten Sie dann bei Ihrer bevorzugten Option an und drücken Sie die SELECT-Taste (7) zur Bestätigung. Die Menüoptionen sind vollständiger Scan, manuelle Abstimmung, DRC, Bereinigen und System.

2. Vollständiger Scan - Drücken Sie in der Menüliste die Taste Weiter / Zurück (3,4), um „Vollständiger Scan“ in der Menüliste auszuwählen. Drücken Sie zur Bestätigung die Taste AUSWAHLEN (7), um den vollständigen Scan automatisch zu starten. Wenn der Vorgang abgeschlossen ist, kehrt das Radio zurück, um den zuvor ausgewählten oder den ersten Sender in der Senderliste abzuspielen. Hinweis: Wenn kein Radiosender gefunden wurde, wird „Kein DAB-Sender“ angezeigt. Ziehen Sie für einen besseren Empfang die Antenne heraus oder führen Sie den vollständigen Scan an einer anderen Stelle erneut durch.

3. Manuelle Sendersuche - Neben der normalen Suchlaufmethode können Sie auch manuell einen bestimmten Kanal / eine bestimmte Frequenz einstellen. Dies kann nützlich sein, um Ihre Antenne auf den bestmöglichen Empfang abzustimmen und einen bestimmten Kanal abzusuchen, um die Senderliste zu aktualisieren. Drücken Sie in der Menüliste die Taste Weiter / Zurück (3,4), um „Manuelle Abstimmung“ in der Menüliste auszuwählen, und drücken Sie die Taste Auswahl (7). Drücken Sie dann die Taste Next / Previous (3,4), um einen bestimmten Kanal / eine bestimmte Frequenz auszuwählen, und drücken Sie dann die Taste SELECT (7), um die Einstellung zu bestätigen. Das Display zeigt eine Live-Anzeige der empfangenen Signalarstärke auf der ausgewählten Frequenz an. Anpassungen an Ihrer Antenne werden in der angezeigten Empfangssignalarstärke angezeigt.

5. Beschneiden - Entfernt alle ungültigen Sender, die in der Senderliste mit einem '?' vor dem Sendernamen. Drücken Sie in der Menüliste die Taste Next / Previous (3,4), um „Prune“ in der Menüliste auszuwählen. Drücken Sie zur Bestätigung die Taste SELECT (7). Drücken Sie dann die Taste Next / Previous (3,4), um <auswählen Ja> und drücken Sie die SELECT (7) -Taste zur Bestätigung

6.0. Uhrzeit - Wenn ein DAB + -Radiosignal vorhanden ist, aktualisiert das Gerät die Uhrzeit automatisch. Es ist kein Signal vorhanden. Kann auch manuell eingestellt werden.

\* Uhrzeit / Datum einstellen: Stunde / Minute / Monat / Datum einstellen> Jahr einstellen> gespeichert

\* Auto-Update-Optionen: Update von Any / Update von DAB / Update von FM / kein Update

\* Stellen Sie 12/24 Stunden ein: 12 Stunden / 24 Stunden

\* Einstellen des Datumsformats: TT-MM-JJJJ / MM-TT-JJJJ Durchlaufen des Zeitmenüs durch Drücken der SELECT-Taste (7), Auswählen einer bestimmten Option und Ändern der SELECT-Taste (7).

6.1. Hintergrundbeleuchtung - Dieses Radio-Display verfügt über eine einstellbare Hintergrundbeleuchtung. Sie können die Zeit für die Hintergrundbeleuchtung Ihres Radios einstellen. Drücken Sie im Systemmenü die Taste „Weiter“ / „Zurück“ (3,4), um „Hintergrundbeleuchtung“ in der Menüliste auszuwählen. Drücken Sie die Taste „AUSWAHLEN“ (7), um „Hoch“, „Mittel“ oder „Niedrig“ zu bestätigen.

6.2. Sprache - Die für die Anzeige von Nachrichten verwendete Sprache kann aus den folgenden Optionen ausgewählt werden: Englisch | Französisch Drücken Sie im Systemmenü die Taste Weiter / Zurück (3,4), um „Sprache“ in der Menüliste auszuwählen. Drücken Sie zum Bestätigen die Taste AUSWAHL (7). Wechseln Sie durch das Menü Sprache, indem Sie die Taste Weiter / Zurück (3,4) drücken, eine bestimmte Sprache auswählen und anhalten. Drücken Sie zur Bestätigung die Taste SELECT (7).

6.3. Auf Werkseinstellungen zurücksetzen - Mit dieser Funktion werden alle benutzerdefinierten Einstellungen gelöscht und durch die ursprünglichen Standardwerte ersetzt, sodass Zeit / Datum, Voreinstellungen / Einstellungen, DAB-Senderliste und voreingestellte Sender verloren gehen. Drücken Sie im Systemmenü die Taste Next / Previous (3,4), um „Factory Reset“ in der Menüliste auszuwählen. Drücken Sie zum Bestätigen die Taste SELECT (7). Wählen Sie dann mit der Taste Weiter / Zurück (3,4) <Ja> und drücken Sie die Taste AUSWAHL (7), um das Zurücksetzen auf die Werkseinstellungen zu starten.

6.4. Softwareversion - Hier wird die aktuelle Softwareversion angezeigt.

Drücken Sie im Systemmenü die Taste „Weiter“ / „Zurück“, um „Softwareversion“ in der Menüliste auszuwählen. Drücken Sie zur Bestätigung die Taste „AUSWAHLEN“. Dann wird die vorhandene SW-Version angezeigt.

FM-Modus - Auswählen von Menüoptionen

1. Wenn sich das DAB-Digitalradio im UKW-Modus befindet, drücken und halten Sie die Taste MENU / INFO (8), um auch die Menüliste aufzurufen. Drücken Sie die Taste Weiter / Zurück (3,4), um die Option in der Menüliste auszuwählen. Halten Sie dann bei Ihrer bevorzugten Option an und drücken Sie die SELECT-Taste (7) zur Bestätigung. Die Menüoptionen sind Scaneinstellung, Audioeinstellung und System.

2. Scan-Einstellung - Standardmäßig wird der UKW-Suchlauf bei jedem verfügbaren Sender (Alle Sender) angehalten. Dies kann zu schlechter Audioqualität bei schwachen Sendern führen. Optionen: Nur starke Sender / Alle Sender Drücken Sie in der Menüliste die Taste „Weiter“ / „Zurück“ (3,4), um eine bestimmte Option in „Scaneinstellung“ auszuwählen, und drücken Sie dann die Taste „AUSWAHLEN“ (7), um die Änderung der neuen Einstellung zu bestätigen

3. Audioeinstellung - Standardmäßig werden alle Stereostationen in Stereo wiedergegeben. Bei schwachen Sendern kann dies zu schlechter Audioqualität führen. Die Audioqualität kann mit Mono verbessert werden. Optionen: Stereo erlaubt | Forced Mono Drücken Sie in der Menüliste die Taste Next / Previous (3,4), um eine bestimmte Option in „Audio setting“ auszuwählen, und drücken Sie dann die Taste SELECT (7), um die Änderung der neuen Einstellung zu bestätigen. Nach 3 Sekunden wechselt es automatisch zu einer neuen Einstellung. PRESET-Taste  
Speichern Sie 20 DAB-Sender und 20 UKW-Lieblingssender

1. Speichern Sie einen Sender in der Festsenderliste - um einen Sender zu speichern, wählen Sie den gewünschten Radiosender aus und



halten Sie die PRESET (2) -Taste eine Sekunde lang gedrückt, bis auf dem LCD-Display „Festsender Nr. : (leer)“ oder „#: gespeicherter Radiosender“.

2. Drücken Sie entweder die Taste Next / Previous (3,4), um die gewünschte Senderspeichernummer auszuwählen. Drücken Sie die Taste SELECT (7), um Ihre Auswahl zu bestätigen. Auf dem Display wird „Preset # Stored“ angezeigt. Rufen Sie einen Sender aus der Voreinstellungsliste auf

1. Um einen voreingestellten Sender abzurufen, drücken Sie einmal die Taste „PRESET“, oder drehen Sie die Taste Next / Previous (3,4), um den gespeicherten voreingestellten Sender auszuwählen. Wenn das Display Ihre gewünschte Voreinstellungsnummer anzeigt, drücken Sie zur Bestätigung die SELECT-Taste (7).

Hinweis: Wenn Sie ein Preset auswählen, dem kein Sender zugewiesen wurde, wird „Empty“ angezeigt.

Nächste / Vorherige Taste

Auswählen von Radiosendern oder Optionen

1. Wenn sich das DAB-Digitalradio im DAB-Modus befindet, drücken Sie die Taste Weiter / Zurück (3,4), um während des Hörens durch die Liste der Radiosender zu blättern. Oder drücken Sie die Taste Weiter / Zurück (3,4), um durch die Menüliste mit den Optionen zu blättern.

2. Wenn sich das DAB-Digitalradio im UKW-Modus befindet, drücken Sie die Taste Weiter / Zurück (3,4), um die Frequenz manuell um 0,05 MHz einzustellen. Oder Sie können die Taste TU +/- (3,4) gedrückt halten, um den Sender automatisch zu suchen. Oder drücken Sie die Taste Weiter / Zurück (3,4), um durch die Menüliste mit den Optionen zu blättern.

VOLUME +/- Taste

Lautstärke einstellen

Drehen Sie den Lautstärkeregler, um die Lautstärke zu erhöhen oder zu verringern.

EINSTELLEN VON ALARMEN UND TIMERN

Sie können zwei Alarme einstellen, mit denen Sie einen Radiosender einstellen oder einen Signalton hören können.

Hinweis: Die Alarme ertönen nur, wenn das Gerät eingeschaltet ist oder sich im Standby-Modus befindet und eine Stromversorgung angeschlossen ist.

Alarm ertönt nicht, wenn ausgeschaltet.

Alarm einstellen

1. Halten Sie die Menütaste (8) 2 Sekunden lang gedrückt, um das Hauptmenü anzuzeigen.

2. Drehen Sie die Next / Previous (3,4) -Taste und drücken Sie sie, um "System"> "Alarm" auszuwählen.

3. Drücken Sie die Auswahlstaste (7), um den Assistenten für Alarm 1 zu ändern.

4. Drücken Sie die Taste Next / Previous (3,4), um die Stunden und Minuten einzustellen, und drücken Sie Select (7), um jeden Abschnitt zu bestätigen.

5. Drücken Sie die Auswahlstaste und wählen Sie 'Quelle'.

6. Drücken Sie die Taste Weiter / Zurück (3,4), um Summer '1', FM 'oder' DAB 'auszuwählen, und drücken Sie dann zum Bestätigen die Taste Auswahl (7).

7. Wenn Sie "Digital Radio" oder "FM" ausgewählt haben, drücken Sie die Taste "Next / Previous" (3,4), um "Preset" (2) auszuwählen. Um den Sender wiederzugeben, den Sie zuletzt gehört haben, drehen Sie das Auswahrad und drücken Sie es, um „Last listened“ (Zuletzt gehört) auszuwählen, oder drehen Sie das Auswahrad und drücken Sie die Taste Next / Previous (3,4), um einen Radiosender aus der Liste der gespeicherten Sender auszuwählen.

Hinweis: Überspringen Sie diesen Schritt, wenn Sie einen Tonalarm einstellen.

8. Drücken Sie die Taste Weiter / Zurück (3,4), um "Täglich", "Einmal", "Wochenende" oder "Wochentage" auszuwählen. Drücken Sie dann zur Bestätigung die Auswahlstaste (7).

9. Drücken Sie die Next / Previous (3,4) Taste und wählen Sie 'Volume'. Drücken Sie zur Bestätigung die Auswahlstaste (7).

10. Drehen Sie und drücken Sie Auswahl (7), um 'Alarm' auf 'Ein' zu schalten.

11. Drehen Sie und drücken Sie Auswahl (7), um 'Alarm gespeichert' zu aktivieren.

Einstellen des Sleep-Timers

1. Halten Sie die Menütaste 2 Sekunden lang gedrückt, um das Hauptmenü anzuzeigen.

2. Drehen Sie die Next / Previous (3,4) -Taste und drücken Sie sie, um 'System'> 'Sleep' auszuwählen.

3. Drehen Sie die Taste Next / Previous (3,4) und drücken Sie sie, um die Länge des Sleep-Timers anzupassen.

Einen Alarm abbrechen

Drücken Sie Standby (10), um einen Alarm auszuschalten, oder drücken Sie Source, um den Alarm auszuschalten und das Radio einzuschalten.

Einen Alarm auflösen

Um einen Alarmton zu deaktivieren, drücken Sie die Taste Auswahl / Deaktivieren (7). Auf dem Display wird ein Countdown-Timer angezeigt, der angibt, wie lange der Alarm anhält. Drücken Sie zum Einstellen der Zeitspanne, in der der Alarm unterbrochen wird, die Taste für kontinuierliche Auswahl / Schlummerfunktion (7), um die Schlummerdauer in 5-Minuten-Intervallen von bis zu 15 Minuten und anschließend 30 Minuten zu ändern. Um einen Schlummeralarm abzubrechen, drücken Sie die Standby-Taste (10).

Frequenzen Digital: Band III 174-240 MHz, FM: 87,5-108 MHz

Empfangsstromversorgung 5V (1A) DC Micro-USB (Kabel mitgeliefert)

Lithium-Ionen-Akku (2000 mAh)

Eingänge 5 V DC (1A) Micro-USB-Steckdose

Das Gerät wurde in der zweiten Isolationsklasse angefertigt,

wodurch es keine Erdung erfordert. Das Gerät ist mit den

Voraussetzungen folgender Richtlinien übereinstimmend.

Elektrische Niederspannungsgeräte (LVD)

Elektromagnetische Kompatibilität (EMC)

Das Produkt mit CE auf dem Leistungsschild bezeichnet.



Den Pappkarton im Altpapier entsorgen. Polyäthylenbeutel (PE) in dem Behälter für Kunststoff entsorgen. Das abgenutzte Gerät zum Recycling zu einer offiziellen Sammelstelle bringen, da es gefährliche Substanzen enthält, die die Umwelt gefährden können. Das Gerät sollte in einer Form abgegeben werden, die eine weitere Nutzung unmöglich macht. Wenn es Batterien enthält, sollten diese rausgenommen und separat an einer Sammelstelle abgegeben werden. Das Gerät darf nicht in den Hausmüll rausgeworfen werden!!

## CONSIGNES DE SECURITE.

## INSTRUCTIONS IMPORTANTES CONCERNANT LA SECURITE D'UTILISATION.

## LISEZ-LES ATTENTIVEMENT ET CONSERVEZ-LES POUR L'AVENIR"

En cas d'utilisation dans des fins commerciaux, les conditions de garantie changent."

1. Lisez ce mode d'emploi avant la première utilisation et suivez les conseils d'utilisation. Le fabricant n'est pas responsable des dégâts occasionnés par toute utilisation pour laquelle l'appareil n'est pas destiné ou en cas d'usage non conforme aux règles d'utilisation.
2. L'appareil est destiné à un usage domestique. Ne pas l'utiliser à d'autres fins que celles pour lesquelles il a été prévu.
3. L'appareil se branche uniquement à une prise 230 V ~ 50 Hz. Afin d'augmenter la sécurité de l'utilisation, il ne faut pas brancher plusieurs appareils électriques sur le même circuit électrique.
4. Lors de l'utilisation de l'appareil, il faut être particulièrement prudent s'il y a des enfants à proximité. Ne pas laisser les enfants jouer avec l'appareil. N'autoriser l'utilisation de l'appareil ni aux enfants ni aux personnes ne connaissant pas ce produit.
5. AVERTISSEMENT: Cet appareil peut être utilisé par les enfants de plus de 8 ans et par des personnes dont les capacités physiques, sensorielles ou mentales sont réduites ou encore des personnes n'ayant pas d'expérience ou de connaissance de cet appareil, seulement si cela s'effectue sous la surveillance d'une personne responsable de la sécurité, ou que ceux-ci ont reçu des instructions concernant une utilisation sûre de l'appareil et qu'ils sont conscients des risques inhérents à son utilisation. Les enfants ne doivent pas jouer avec l'appareil. Le nettoyage et l'entretien de l'appareil ne doivent pas être effectués par les enfants sauf s'ils ont plus de 8 ans et que ces manipulations sont surveillées.
6. Après chaque utilisation, débrancher la fiche d'alimentation de la prise de courant, en maintenant la prise avec la main. Ne pas tirer sur le cordon d'alimentation.
7. Ne pas tremper le cordon, la fiche ou l'appareil entier dans l'eau ou dans tout autre liquide. Ne pas exposer l'appareil à des conditions atmosphériques (pluie, soleil etc.). Ne pas l'utiliser non plus dans des conditions d'humidité élevée (salle de bain, mobile-homes humides).
8. Vérifier périodiquement l'état du cordon d'alimentation. Si le cordon d'alimentation est endommagé, il devra être changé par un service de réparation spécialisé afin d'éviter le danger.
9. Ne pas utiliser l'appareil si le cordon d'alimentation est endommagé, si l'appareil est tombé ou qu'il a été endommagé de quelque autre manière ou au cas où il ne fonctionne pas correctement. Ne pas réparer l'appareil soi-même car cela présente un risque d'électrocution. Un appareil endommagé doit être remis chez un professionnel pour vérification ou réparation. Toute réparation doit être effectuée par un service de réparation agréé. Une réparation mal effectuée peut constituer un danger non négligeable pour l'utilisateur.
10. L'appareil doit être posé sur une surface fraîche, stable et lisse, loin des appareils électroménagers dégageant de la chaleur (cuisinière électrique, brûleur à gaz etc.).
11. Ne pas utiliser l'appareil à proximité de matériaux inflammables.
12. Le cordon d'alimentation ne peut pas dépasser les bords de la table ou toucher des surfaces très chaudes.
13. Il est interdit de laisser l'appareil ou l'alimenteur branché à la prise de courant sans surveillance.
14. Afin d'assurer une protection supplémentaire, il est conseillé d'installer dans le réseau électrique un appareil à courant différentiel nominal ne dépassant pas 30 mA. Pour cela il faut contacter un électricien spécialisé.
15. Ne pas exposer l'appareil à l'eau.

16. On ne peut nettoyer l'appareil qu'à l'aide d'un torchon sec. Ne pas utiliser d'eau ni de produits nettoyants.

17. Utiliser régulièrement des disques conçus spécialement pour nettoyer le lecteur CD.

18. Entreposer l'appareil dans un local protégé de l'humidité.

Description de l'appareil (radio Dab):

1. Ecran LCD
2. Bouton de pré-réglage
3. Précédent / Numériser
4. Suivant
5. Bouton Volume +/-
6. Veille
7. Sélectionner / Répéter
8. Menu / Info
9. DAB / FM
10. MARCHÉ / ARRÊT
11. Micro-USB
12. Prise casque 3,5 mm.

Première configuration:

1. Assurez-vous que l'appareil est complètement chargé. Pour ce faire, connectez l'appareil par le câble micro USB à une source d'alimentation appropriée.

2. Appuyez sur le bouton d'alimentation (10) et maintenez-le enfoncé pendant 2 secondes.

3. La première fois que la radio numérique DAB

4. Lorsque votre radio numérique DAB utilise l'adaptateur secteur, appuyez sur le bouton POWER (10) pour allumer et mettre en veille.

Débranchez l'adaptateur secteur pour éteindre complètement votre radio numérique.

5. Lorsque votre radio numérique DAB utilise des piles, appuyez sur le bouton POWER (10) et maintenez-le enfoncé pendant 2 secondes ou éteignez-le. Il démarrera le mode DAB. Il recherchera automatiquement les stations de radio disponibles.

Touche DAB / FM

Passage en mode DAB / FM

1. La première fois que la radio numérique DAB est commutée, elle démarre le mode DAB.

2. Si l'appareil est en mode DAB, appuyez plusieurs fois sur le bouton DAB / FM (9) jusqu'à ce que FM s'affiche à l'écran.

3. Une fois en mode FM, votre radio numérique DAB syntonisera le début de la plage FM disponible (87,50 MHz) ou la dernière station FM répertoriée.

4. Pour modifier manuellement la fréquence FM, assurez-vous que vous n'avez sélectionné aucun autre sous-menu. Tournez le TU +/- (pour changer la fréquence de 0,05 MHz).

Modification des informations d'affichage DAB

1. Si la radio numérique DAB est en mode DAB, appuyez sur le bouton MENU / INFO (8) pour sélectionner différentes informations à afficher à l'écran, telles que DLS (segment d'étiquette dynamique), la force du signal, PTY (type de programme), l'ensemble, fréquence, qualité du signal, codec de débit binaire, heure, date.

2. Si la radio numérique DAB est en mode FM, appuyez sur le bouton MENU / INFO (8) pour sélectionner différentes informations à afficher, telles que le texte radio, PTY (Type de programme), PS (Service de programme), stéréo / mono, heure, date.

Mode DAB - choix des options de menu

1. Si la radio numérique DAB est en mode DAB, appuyez sur le bouton MENU / INFO (8) et maintenez-le enfoncé pour accéder à la liste des menus. Appuyez sur le bouton Suivant / Précédent (3,4) pour sélectionner l'option dans la liste des menus. Ensuite, arrêtez-vous à votre option préférée et appuyez sur le bouton SELECT (7) pour confirmer. Les options du menu sont scan complet, réglage manuel, DRC, pruned, système.

2. Analyse complète - sous la liste des menus, appuyez sur le bouton Suivant / Précédent (3,4) pour sélectionner «Analyse complète» dans la liste des menus, appuyez sur le bouton SELECT (7) pour confirmer et l'analyse complète démarre automatiquement à Une fois l'analyse terminée terminée, la radio revient à écouter la station ou la première station précédemment sélectionnée dans la liste des stations. Remarque: si aucune station de radio n'a été trouvée, elle indique «No DAB Station». Pour une meilleure réception, déployez l'antenne ou refaites le balayage complet dans un autre endroit.

3. Réglage manuel - en plus de la méthode normale de balayage, vous pouvez également régler manuellement un canal / fréquence particulier. Cela peut être utile pour régler votre antenne afin d'obtenir la meilleure réception possible et balayer un canal particulier pour mettre à jour la liste des stations. Dans la liste des menus, appuyez sur le bouton Suivant / Précédent (3,4) pour sélectionner «Réglage manuel» dans la liste des menus, appuyez sur le bouton Sélectionner (7) pour confirmer. Appuyez ensuite sur le bouton Suivant / Précédent (3,4) pour sélectionner un canal / fréquence particulier, puis appuyez sur le bouton SELECT (7) pour confirmer le réglage sur L'écran affiche une indication en direct de la force du signal reçu sur la fréquence sélectionnée. Les réglages de votre antenne se manifesteront dans la puissance du signal reçu affichée.

5. Prune - cela supprime toutes les stations invalides indiquées dans la liste des stations avec un "?" devant le nom de la station. Dans la liste des menus, appuyez sur le bouton Suivant / Précédent (3,4) pour sélectionner «Tailler» dans la liste des menus, Appuyez sur le bouton SELECT (7) pour confirmer. Appuyez ensuite sur le bouton Suivant / Précédent (3,4) pour sélectionner <Oui>, et appuyez sur le bouton SELECT (7) pour confirmer

6.0. Heure - s'il y a un signal radio DAB +, la machine mettra automatiquement à jour l'heure, il n'y a pas de signal, peut également être réglée manuellement.

\* Régler l'heure / la date: régler l'heure / régler les minutes / régler le mois / régler la date> régler l'année> enregistré

\* Options de mise à jour automatique: mise à jour depuis Any / mise à jour depuis DAB / mise à jour depuis FM

/ Pas de mise à jour

\* Set 12/24 heures: 12 heures / 24 heures

\* Réglez le format de la date: JJ-MM-AAAA / MM-JJ-AAAA Parcourez le menu Heure en appuyant sur le bouton SELECT (7), sélectionnez une option particulière et appuyez sur le bouton SELECT (7) pour changer.

6.1. Rétroéclairage - cet écran radio a un rétroéclairage qui peut être réglable. Vous pouvez sélectionner la tonalité du rétroéclairage de l'écran de votre radio. Dans le menu système, appuyez sur le bouton Suivant / Précédent (3,4) pour sélectionner «Rétroéclairage» dans la liste des menus. Appuyez sur le bouton SELECT (7) pour confirmer sur «Haut», «Moyen» ou «Bas».

6.2. Langue - La langue utilisée pour afficher les messages peut être sélectionnée parmi les options ci-dessous: Anglais | Dans le menu système, appuyez sur le bouton Suivant / Précédent (3,4) pour sélectionner «Langue» dans la liste des menus, Appuyez sur le bouton

SELECT (7) pour confirmer. Parcourez le menu Langue en appuyant sur le bouton Suivant / Précédent (3,4), sélectionnez et arrêtez-vous dans une langue particulière, Appuyez sur le bouton SELECT (7) pour confirmer.

6.3. Réinitialisation d'usine - Cette fonction efface tous les paramètres définis par l'utilisateur, les remplaçant par les valeurs par défaut d'origine, de sorte que l'heure / la date, les préférences / paramètres, la liste des stations DAB et les stations préréglées sont tous perdus. Dans le menu système, appuyez sur le bouton Suivant / Précédent (3,4) pour sélectionner «Factory Reset» dans la liste des menus, appuyez sur le bouton SELECT (7) pour confirmer. Ensuite, utilisez le bouton Suivant / Précédent (3,4) pour choisir <Oui> et appuyez sur le bouton SELECT (7) pour démarrer la réinitialisation d'usine.

6.4. Version du logiciel - elle est utilisée pour afficher la version actuelle du logiciel.

Dans le menu système, appuyez sur le bouton Suivant / Précédent pour sélectionner «Version du logiciel» dans la liste des menus, Appuyez sur le bouton SELECT pour confirmer. Ensuite, la version SW existante sera affichée.

Mode FM - choix des options de menu

1. Si la radio numérique DAB est en mode FM, maintenez la touche MENU / INFO (8) enfoncée pour accéder également à la liste des menus. Appuyez sur le bouton Suivant / Précédent (3,4) pour sélectionner l'option dans la liste des menus. Ensuite, arrêtez-vous à votre option préférée et appuyez sur le bouton SELECT (7) pour confirmer. Les options de menu sont les paramètres de numérisation, les paramètres audio et le système.

2. Paramètres de balayage - par défaut, les balayages FM s'arrêtent à n'importe quelle station disponible (toutes les stations). Cela peut entraîner un son de mauvaise qualité à partir de stations faibles.

Options: Stations puissantes uniquement / Toutes les stations Dans la liste du menu, appuyez sur le bouton Suivant / Précédent (3,4) pour sélectionner une option particulière dans «Paramètres de numérisation», puis appuyez sur le bouton SELECT (7) pour confirmer la modification du nouveau paramètre .

3. Réglage audio - par défaut, toutes les stations stéréo sont reproduites en stéréo. Pour les stations faibles, cela peut entraîner une qualité audio médiocre. La qualité audio peut être améliorée en utilisant le mono. Options: Stéréo autorisé | Mono forcé Dans la liste du menu, appuyez sur le bouton Suivant / Précédent (3,4) pour sélectionner une option particulière dans «Réglage audio» puis appuyez sur le bouton SELECT (7) pour confirmer la modification du nouveau réglage. Il passera automatiquement à un nouveau paramètre après 3 secondes.

Touche PRESET

Présélectionnez 20 stations DAB et 20 stations FM préférées

1. Mémorisez une station dans la liste des présélections - pour mémoriser une station, sélectionnez la station de radio souhaitée, puis appuyez et maintenez enfoncée la touche PRESET (2) pendant une seconde jusqu'à ce que l'affichage à cristaux liquides «Preset store # : (Empty)» ou « #: station radio enregistrée ».

2. Appuyez sur le bouton Suivant / Précédent (3,4) pour sélectionner le numéro de préréglage de station souhaité. Appuyez sur le bouton SELECT (7) pour confirmer votre sélection, l'écran affichera «Preset # Stored».

Rappeler une station de la liste des préréglages

1. Pour rappeler une station préréglée, appuyez une fois sur le bouton «PRESET», ou tournez le bouton Suivant / Précédent (3,4) pour sélectionner la station préréglée que vous avez enregistrée. Lorsque l'écran affiche le numéro de préréglage souhaité, appuyez sur le bouton SELECT (7) pour confirmer.

Remarque: Si vous choisissez un préréglage auquel aucune station n'a été affectée, «Vide» s'affiche.

Bouton Suivant / Précédent

Choix des stations de radio ou des options

1. Si la radio numérique DAB est en mode DAB, appuyez sur le bouton Suivant / Précédent (3,4) pour parcourir la liste des stations de radio lorsque vous écoutez. Ou appuyez sur le bouton Suivant / Précédent (3,4) pour parcourir la liste des menus d'options.

2. Si la radio numérique DAB est en mode FM, appuyez sur le bouton Suivant / Précédent (3,4) pour régler manuellement la fréquence de 0,05 MHz. Ou vous pouvez appuyer sur le bouton TU +/- (3,4) et le maintenir enfoncé pour rechercher automatiquement la station. Ou appuyez sur le bouton Suivant / Précédent (3,4) pour parcourir la liste des menus d'options.

Touche VOLUME +/-

réglage du volume

Tournez la molette de volume pour augmenter ou diminuer le volume.

RÉGLAGE DES ALARMES ET DES MINUTERIES

Vous pouvez définir deux alarmes, qui peuvent syntoniser une station de radio ou sonner.

Remarque: les alarmes ne retentissent que lorsqu'elles sont allumées ou en mode veille et connectées à une alimentation.

Les alarmes ne sonnent pas quand il est éteint.

Réglage d'une alarme

1. Appuyez sur le bouton Menu (8) pendant 2 secondes pour afficher le menu principal.

2. Tournez et appuyez sur le bouton Suivant / Précédent (3,4) pour sélectionner «Système»> «Alarme».

3. Appuyez sur le bouton Sélectionner (7) pour modifier l'«Assistant d'alarme 1»

4. Appuyez sur le bouton Suivant / Précédent (3,4) pour régler les heures et les minutes, appuyez sur Sélectionner (7) pour confirmer chaque section.

5. Appuyez sur le bouton Sélectionner, sélectionnez «Source».

6. Appuyez sur le bouton Suivant / Précédent (3,4) pour sélectionner Buzzer ' , FM 'ou' DAB ' , puis appuyez sur le bouton Sélectionner (7) pour confirmer.

7. Si vous avez choisi la radio «Radio numérique» ou «FM», appuyez sur le bouton Suivant / Précédent (3,4) pour sélectionner «Présélection» (2). Pour écouter la dernière station écoutée, tournez et appuyez sur la molette de sélection pour sélectionner 'Dernière écoute' ou tournez et appuyez sur le bouton Suivant / Précédent (3,4) pour choisir une station de radio dans la liste des présélections.

Remarque: Ignorez cette étape si vous définissez une alarme de tonalité.

8. Appuyez sur le bouton Suivant / Précédent (3,4) pour sélectionner «Quotidien», «une fois», «week-ends» ou «jours de semaine». puis appuyez sur le bouton Sélectionner (7) pour confirmer.

9. Appuyez sur le bouton Suivant / Précédent (3,4), sélectionnez «Volume». Appuyez sur le bouton Select (7) pour confirmer.

10. Tournez et appuyez sur Select (7) pour mettre «Alarm» sur «On».

11. Tournez et appuyez sur Sélectionner (7) pour activer «Alarme enregistrée».

Réglage de la minuterie de mise en veille

1. Appuyez sur le bouton Menu pendant 2 secondes pour afficher le menu principal.

2. Tournez et appuyez sur le bouton Suivant / Précédent (3,4) pour sélectionner «Système»> «Veille».

3. Tournez et appuyez sur le bouton Suivant / Précédent (3,4) pour régler la durée de la minuterie de mise en veille.

Annulation d'une alarme sonore

Appuyez sur Veille (10) pour annuler une alarme sonore ou appuyez sur Source pour annuler et laisser la radio allumée.

Répéter une alarme sonore

Pour répéter une alarme sonore, appuyez sur le bouton Select / Snooze (7). L'écran affichera un compte à rebours pour indiquer la durée de l'alarme. Pour régler la durée de répétition de l'alarme, appuyez sur le bouton Sélection continue / Répétition (7) pour modifier la durée de la répétition par intervalles de 5 minutes jusqu'à 15 minutes, puis 30 minutes. Pour annuler une alarme de répétition, appuyez sur le bouton Veille (10).

Fréquences Numérique: Bande III 174-240 MHz, FM: 87,5-108 MHz

Alimentation de réception 5V (1A) micro-USB DC (câble fourni)

Batterie rechargeable au lithium-ion (2000 mAh)

Entrées 5V DC (1A) Prise d'alimentation micro-USB

L'appareil de IIe classe d'isolation électrique  
ne demande pas de prise à la terre.

L'appareil est conforme aux exigences des directives:

Appareil électrique basse tension (LVD)

Compatibilité électromagnétique (EMC)



Respect de l'environnement. Nous vous prions de bien vouloir trier les emballages en carton ainsi que les sachets plastiques (en polyéthylène). L'appareil usagé ne doit pas être jeté à la poubelle mais remis au point de collecte prévu à cet effet car il contient des éléments pouvant être nocifs pour l'environnement. L'appareil électrique doit être remis de manière à limiter au maximum une éventuelle utilisation ultérieure. Si l'appareil contient des piles, il faut les retirer et les remettre à un autre point de collecte. Ne pas jeter l'appareil dans une poubelle de déchets ménagers !!!

## ESPAÑOL

### CONDICIONES GENERALES DE SEGURIDAD

#### INSTRUCCIONES IMPORTANTES DE SEGURIDAD PARA EL USUARIO

**POR FAVOR LEA ATENTAMENTE Y GUÁRDENLAS PARA CONSULTAR EN EL FUTURO**

Si usa el aparato con fines comerciales, las condiciones de la garantía cambiarán.

1. Antes de usar el equipo, lee las instrucciones del manual de uso y sigue las indicaciones que figuran en él. El fabricante no es responsable de los daños causados por el uso indebido del equipo o su manejo inadecuado.
2. El equipo sirve única y exclusivamente para el uso doméstico. No lo uses para otros fines que los indicados.
3. El dispositivo debe estar conectado únicamente a la toma de 230 V ~ 50 Hz. Para aumentar la seguridad del uso, no se recomienda conectar varios equipos electrónicos a un mismo circuito.
4. Hay que actuar con especial precaución durante el uso del equipo, si los niños están a su alcance. No dejar que los niños jueguen con el equipo ni que los niños o personas no familiarizadas usen el equipo.
5. **ADVERTENCIA:** Este dispositivo puede ser utilizado por niños mayores de 8 años y personas con capacidades físicas, sensoriales o mentales limitadas, sin experiencia y conocimiento, si lo hacen bajo la supervisión de una persona responsable de su seguridad y que tenga información sobre el uso seguro del dispositivo y sea consciente de los peligros asociados con su uso. Los niños no deben jugar con el dispositivo. La limpieza y el mantenimiento no deben ser realizados por los niños, a menos que sean mayores de 8 años y lo hagan bajo supervisión.
6. Siempre, después de cada uso, saca la clavija de la toma de corriente sujetando la toma con la mano. **NO tires del cable de alimentación.**
7. No sumerjas el cable, la clavija ni el equipo entero en el agua ni otro líquido. No lo expongas a los efectos de las condiciones atmosféricas (lluvia, sol, etc.) ni tampoco los uses en condiciones de alta humedad (cuartos de baño, casas de camping).
8. Controla periódicamente el estado del cable de alimentación. Si el cable de alimentación está dañado, debería ser reemplazado por un taller especializado para evitar el peligro.
9. No use el equipo con el cable de alimentación dañado o si el equipo se ha caído o dañado de cualquier otra forma o no funciona correctamente. No repares el equipo sin ayuda, porque hay riesgo de parálisis. El equipo dañado debe ser llevado a un taller de reparaciones adecuado para comprobar su funcionamiento o reparar los daños. Todas las reparaciones se pueden realizar únicamente en los talleres de reparaciones autorizados. La reparación realizada incorrectamente puede causar un grave peligro para el usuario.



10. Coloca el equipo en una superficie fría, estable y plana, lejos de los equipos de cocina que se calientan, como cocina eléctrica, cocina de gas etc.

11. No uses el equipo cerca de los materiales inflamables.

12. El cable de alimentación no puede estar colgando del borde de la mesa o tocar las superficies calientes.

13. No deje sin supervisión el aparato encendido ni el cargador conectado a la red de alimentación.

14. Para asegurar más protección, se recomienda instalar en el circuito eléctrico un Diferencial (RCD) con la corriente diferencial no superior a 30 mA. En este caso hay que recurrir al especialista eléctrico.

15. No permita que la radio se moje.

16. La radio sólo se puede limpiar con un paño seco. No utilice agua ni detergentes para limpiarlo.

17. Debe usar regularmente unos discos especiales para limpiar el reproductor de CD.

18. La radio debe ser guardada en un lugar seco.

Descripción del dispositivo (Dab Radio):

1. Pantalla LCD 2. Botón de preajuste 3. Anterior / Escanear 4. Siguiente 5. Botón de volumen +/- 6. Suspender 7. Seleccionar / Posponer 8. Menú / Información 9. DAB / FM 10. Encendido / apagado 11. Micro-USB 12. Conector para auriculares de 3.5 mm.

Primera configuración:

1. Asegúrese de que el dispositivo esté completamente cargado. Para ello, conecte el dispositivo mediante el cable Micro USB a una fuente de alimentación adecuada.

2. Mantenga presionado el botón de Encendido (10) durante 2 segundos.

3. La primera vez que la radio digital DAB

4. Cuando su radio digital DAB esté utilizando el adaptador de corriente, presione el botón de ENCENDIDO (10) para encender y poner en espera. Desenchufe el adaptador de corriente para apagar su radio digital por completo.

5. Cuando su radio digital DAB esté usando baterías, presione y mantenga presionado el botón de ENCENDIDO (10) durante 2 segundos o apague el interruptor, se iniciará el modo DAB. Buscará automáticamente las estaciones de radio disponibles.

Botón DAB / FM

Cambio al modo DAB / FM

1. La primera vez que se cambia la radio digital DAB, se iniciará el modo DAB.

2. Si el dispositivo está en modo DAB, presione el botón DAB / FM (9) varias veces hasta que aparezca FM en la pantalla.

3. Una vez en modo FM, su radio digital DAB sintonizará el inicio del rango de FM disponible (87.50MHz) o la última estación de FM en la lista.

4. Para cambiar manualmente la frecuencia de FM, asegúrese de no haber seleccionado ningún otro submenú. Gire la TU +/- (para cambiar la frecuencia en 0.05MHz).

Cambiar la información de visualización DAB

1. Si la radio digital DAB está en modo DAB, presione el botón MENÚ / INFORMACIÓN (8) para seleccionar información diferente para mostrar en la pantalla, como DLS (segmento de etiqueta dinámica), intensidad de la señal, PTY (tipo de programa), conjunto, frecuencia, calidad de señal, código de velocidad de bits, hora, fecha.

2. Si la radio digital DAB está en modo FM, presione el botón MENÚ / INFORMACIÓN (8) para seleccionar información diferente para mostrar en la pantalla, como texto de radio, PTY (tipo de programa), PS (servicio de programa), estéreo / mono, hora, fecha.

Modo DAB: elegir opciones de menú

1. Si la radio digital DAB está en modo DAB, presione y mantenga presionado el botón MENÚ / INFORMACIÓN (8) para ingresar a la lista del menú. Presione el botón Siguiente / Anterior (3,4) para seleccionar la opción a través de la lista del menú. Luego, deténgase en su opción preferida y presione el botón SELECCIONAR (7) para confirmar. Las opciones del menú son exploración completa, sintonización manual, DRC, poda, sistema.

2. Exploración completa: en la lista del menú, presione el botón Siguiente / Anterior (3,4) para seleccionar "Exploración completa" a través de la lista del menú, presione el botón SELECCIONAR (7) para confirmar y la exploración completa se inicia automáticamente. completada, la radio vuelve a reproducir la estación o la primera estación previamente seleccionada en la lista de estaciones.

Nota: si no se encuentra una estación de radio, muestra "No hay estación DAB". Para una mejor recepción, extienda la antena o realice el escaneo completo nuevamente en otro lugar.

3. Sintonización manual: además del método normal de exploración, también puede sintonizar manualmente un canal / frecuencia en particular. Esto puede ser útil para ajustar su antena para lograr la mejor recepción posible y escanear un canal en particular para actualizar la lista de estaciones. Debajo de la lista del menú, presione el botón Siguiente / Anterior (3,4) para seleccionar "Sintonización manual" en la lista del menú, presione el botón Seleccionar (7) para confirmar. Luego presione el botón Siguiente / Anterior (3,4) para seleccionar un canal / frecuencia en particular y luego presione el botón SELECCIONAR (7) para confirmar la configuración. La pantalla muestra una indicación en vivo de la intensidad de la señal recibida en la frecuencia seleccionada. Los ajustes a su antena se manifestarán en la intensidad de la señal recibida que se muestra.

5. Prune - cela supprime toutes les stations invalides indiquées dans la liste des stations avec un "?" devant le nom de la station. Dans la liste des menus, appuyez sur le bouton Suivant / Précédent (3,4) pour sélectionner « Taille » dans la liste des menus. Appuyez sur le bouton SELECT (7) pour confirmer. Appuyez ensuite sur le bouton Suivant / Précédent (3,4) pour sélectionner < Oui >, et appuyez sur le bouton



SELECT (7) pour confirmer

6.0. Heure - s'il y a un signal radio DAB +, la machine mettra automatiquement à jour l'heure, il n'y a pas de signal, peut également être réglée manuellement.

\* Régler l'heure / la date: régler l'heure / régler les minutes / régler le mois / régler la date> régler l'année> enregistré

\* Options de mise à jour automatique: mise à jour depuis Any / mise à jour depuis DAB / mise à jour depuis FM

/ Pas de mise à jour

\* Set 12/24 heures: 12 heures / 24 heures

\* Réglez le format de la date: JJ-MM-AAAA / MM-JJ-AAAA Parcourez le menu Heure en appuyant sur le bouton SELECT (7), sélectionnez une option particulière et appuyez sur le bouton SELECT (7) pour changer.

6.1. Rétroéclairage - cet écran radio a un rétroéclairage qui peut être réglable. Vous pouvez sélectionner la temporisation du rétroéclairage de l'écran de votre radio. Dans le menu système, appuyez sur le bouton Suivant / Précédent (3,4) pour sélectionner «Rétroéclairage» dans la liste des menus, Appuyez sur le bouton SELECT (7) pour confirmer sur «Haut», «Moyen» ou «Bas».

6.2. Langue - La langue utilisée pour afficher les messages peut être sélectionnée parmi les options ci-dessous: Anglais | Dans le menu système, appuyez sur le bouton Suivant / Précédent (3,4) pour sélectionner «Langue» dans la liste des menus, Appuyez sur le bouton SELECT (7) pour confirmer. Parcourez le menu Langue en appuyant sur le bouton Suivant / Précédent (3,4), sélectionnez et arrêtez-vous dans une langue particulière, Appuyez sur le bouton SELECT (7) pour confirmer.

6.3. Réinitialisation d'usine - Cette fonction efface tous les paramètres définis par l'utilisateur, les remplaçant par les valeurs par défaut d'origine, de sorte que l'heure / la date, les préférences / paramètres, la liste des stations DAB et les stations préréglées sont tous perdus. Dans le menu système, appuyez sur le bouton Suivant / Précédent (3,4) pour sélectionner «Factory Reset» dans la liste des menus, appuyez sur le bouton SELECT (7) pour confirmer. Ensuite, utilisez le bouton Suivant / Précédent (3,4) pour choisir <Oui> et appuyez sur le bouton SELECT (7) pour démarrer la réinitialisation d'usine.

6.4. Version du logiciel - elle est utilisée pour afficher la version actuelle du logiciel.

Dans le menu système, appuyez sur le bouton Suivant / Précédent pour sélectionner «Version du logiciel» dans la liste des menus, Appuyez sur le bouton SELECT pour confirmer. Ensuite, la version SW existante sera affichée.

Mode FM - choix des options de menu

1. Si la radio numérique DAB est en mode FM, maintenez la touche MENU / INFO (8) enfoncée pour accéder également à la liste des menus. Appuyez sur le bouton Suivant / Précédent (3,4) pour sélectionner l'option dans la liste des menus. Ensuite, arrêtez-vous à votre option préférée et appuyez sur le bouton SELECT (7) pour confirmer. Les options de menu sont les paramètres de numérisation, les paramètres audio et le système.

2. Paramètres de balayage - par défaut, les balayages FM s'arrêtent à n'importe quelle station disponible (toutes les stations). Cela peut entraîner un son de mauvaise qualité à partir de stations faibles.

Options: Stations puissantes uniquement / Toutes les stations Dans la liste du menu, appuyez sur le bouton Suivant / Précédent (3,4) pour sélectionner une option particulière dans «Paramètres de numérisation», puis appuyez sur le bouton SELECT (7) pour confirmer la modification du nouveau paramètre.

3. Réglage audio - par défaut, toutes les stations stéréo sont reproduites en stéréo. Pour les stations faibles, cela peut entraîner une qualité audio médiocre. La qualité audio peut être améliorée en utilisant le mono. Options: Stéréo autorisé | Mono forcé Dans la liste du menu, appuyez sur le bouton Suivant / Précédent (3,4) pour sélectionner une option particulière dans «Réglage audio» puis appuyez sur le bouton SELECT (7) pour confirmer la modification du nouveau réglage. Il passera automatiquement à un nouveau paramètre après 3 secondes.

Touche PRESET

Présélectionnez 20 stations DAB et 20 stations FM préférées

1. Mémorisez une station dans la liste des présélections - pour mémoriser une station, sélectionnez la station de radio souhaitée, puis appuyez et maintenez enfoncée la touche PRESET (2) pendant une seconde jusqu'à ce que l'affichage à cristaux liquides «Preset store # : (Empty)» ou «# : station radio enregistrée ».

2. Appuyez sur le bouton Suivant / Précédent (3,4) pour sélectionner le numéro de préréglage de station souhaité. Appuyez sur le bouton SELECT (7) pour confirmer votre sélection, l'écran affichera «Preset # Stored».

Rappeler une station de la liste des préréglages

1. Pour rappeler une station préréglée, appuyez une fois sur le bouton «PRESET», ou tournez le bouton Suivant / Précédent (3,4) pour sélectionner la station préréglée que vous avez enregistrée. Lorsque l'écran affiche le numéro de préréglage souhaité, appuyez sur le bouton SELECT (7) pour confirmer.

Remarque: Si vous choisissez un préréglage auquel aucune station n'a été affectée, «Vide» s'affiche.

Bouton Suivant / Précédent

Choix des stations de radio ou des options

1. Si la radio numérique DAB est en mode DAB, appuyez sur le bouton Suivant / Précédent (3,4) pour parcourir la liste des stations de radio lorsque vous écoutez. Ou appuyez sur le bouton Suivant / Précédent (3,4) pour parcourir la liste des menus d'options.

2. Si la radio numérique DAB est en mode FM, appuyez sur le bouton Suivant / Précédent (3,4) pour régler manuellement la fréquence de 0,05 Mhz. Ou vous pouvez appuyer sur le bouton TU +/- (3,4) et le maintenir enfoncé pour rechercher automatiquement la station. Ou appuyez sur le bouton Suivant / Précédent (3,4) pour parcourir la liste des menus d'options.

Touche VOLUME +/-

réglage du volume

Tournez la molette de volume pour augmenter ou diminuer le volume.

RÉGLAGE DES ALARMES ET DES MINUTERIES

Vous pouvez définir deux alarmes, qui peuvent syntoniser une station de radio ou sonner.

Remarque: les alarmes ne retentissent que lorsqu'elles sont allumées ou en mode veille et connectées à une alimentation.

Les alarmes ne sonnent pas quand il est éteint.

Réglage d'une alarme

1. Appuyez sur le bouton Menu (8) pendant 2 secondes pour afficher le menu principal.

2. Tournez et appuyez sur le bouton Suivant / Précédent (3,4) pour sélectionner «Système»> «alarme».

3. Appuyez sur le bouton Sélectionner (7) pour modifier l'«Assistant d'alarme 1»
4. Appuyez sur le bouton Suivant / Précédent (3,4) pour régler les heures et les minutes, appuyez sur Sélectionner (7) pour confirmer chaque section.
5. Appuyez sur le bouton Sélectionner, sélectionnez «Source».
6. Appuyez sur le bouton Suivant / Précédent (3,4) pour sélectionner Buzzer ' , FM 'ou' DAB ' , puis appuyez sur le bouton Sélectionner (7) pour confirmer.
7. Si vous avez choisi la radio «Radio numérique» ou «FM», appuyez sur le bouton Suivant / Précédent (3,4) pour sélectionner «Présélection» (2). Pour écouter la dernière station écoutée, tournez et appuyez sur la molette de sélection pour sélectionner 'Dernière écoute' ou tournez et appuyez sur le bouton Suivant / Précédent (3,4) pour choisir une station de radio dans la liste des présélections.
- Remarque: Ignorez cette étape si vous définissez une alarme de tonalité.
8. Appuyez sur le bouton Suivant / Précédent (3,4) pour sélectionner «Quotidien», «une fois», «week-ends» ou «jours de semaine». puis appuyez sur le bouton Sélectionner (7) pour confirmer.
9. Appuyez sur le bouton Suivant / Précédent (3,4), sélectionnez «Volume». Appuyez sur le bouton Select (7) pour confirmer.
10. Tournez et appuyez sur Select (7) pour mettre «Alarm» sur «On».
11. Tournez et appuyez sur Sélectionner (7) pour activer «Alarme enregistrée».

#### Réglage de la minuterie de mise en veille

1. Appuyez sur le bouton Menu pendant 2 secondes pour afficher le menu principal.
2. Tournez et appuyez sur le bouton Suivant / Précédent (3,4) pour sélectionner «Système» > «Veille».
3. Tournez et appuyez sur le bouton Suivant / Précédent (3,4) pour régler la durée de la minuterie de mise en veille.

#### Annulation d'une alarme sonore

Appuyez sur Veille (10) pour annuler une alarme sonore ou appuyez sur Source pour annuler et laisser la radio allumée.

#### Répéter une alarme sonore

Pour répéter une alarme sonore, appuyez sur le bouton Select / Snooze (7). L'écran affichera un compte à rebours pour indiquer la durée de l'alarme. Pour régler la durée de répétition de l'alarme, appuyez sur le bouton Sélection continue / Répétition (7) pour modifier la durée de la répétition par intervalles de 5 minutes jusqu'à 15 minutes, puis 30 minutes. Pour annuler une alarme de répétition, appuyez sur le bouton Veille (10).

Fréquences Numérique: Bande III 174-240 MHz, FM: 87,5-108 MHz

Alimentation de réception 5V (1A) micro-USB DC (câble fourni)

Batterie rechargeable au lithium-ion (2000 mAh)

Entrées 5V DC (1A) Prise d'alimentation micro-USB

Este aparato está fabricado con aislamiento de la clase II y no requiere puesta a tierra. El aparato cumple requisitos de las directivas:

Equipo eléctrico de baja tensión (LVD)

Compatibilidad electromagnética (EMC)

Posee la marca CE en la placa nominal



Preocupación por el medio ambiente. Por favor, lleva las cajas de cartón a un sitio de reciclaje. Las bolsas de polietileno se deben tirar al cubo de la basura amarillo (para envases). El equipo gastado debe ser entregado en el punto de almacenamiento adecuado, porque las piezas que constituyen el equipo pueden suponer un peligro para el medio ambiente. Debes entregar el equipo. Hay que devolver el equipo eléctrico con el fin de evitar su reutilización. Si en el equipo se encuentran pilas, hay que sacarlas y entregar por separado, en un punto de almacenamiento adecuado. No tires el equipo al contenedor para residuos urbanos!!

## PORTUGUÊS

### CONDIÇÕES GERAIS DE SEGURANÇAS INSTRUÇÕES IMPORTANTES RELATIVAS À SEGURANÇA DE UTILIZAÇÃO DEVEM SER LIDAS COM ATENÇÃO E GUARDADAS PARA A POSTERIOR UTILIZAÇÃO

Em caso da sua utilização para os fins comerciais, as condições de garantia são sujeitas às alterações.

1. Antes de começar a utilização do dispositivo deve-se ler o manual de serviço e as instruções nele incluídas. O fabricante não é responsável pelos danos causados pela utilização não conforme a sua aplicação ou pelo manejo inadequado do mesmo.
2. O dispositivo serve somente para uso doméstico. Não utilizar para outros fins, não conformes a sua aplicação.
3. O dispositivo deve-se ligar exclusivamente à tomada de 230 V ~ 50 Hz. Para aumentar a segurança de utilização, a um circuito de corrente não se devem ligar vários dispositivos elétricos ao mesmo tempo.
4. Devem-se tomar precauções especiais durante a utilização do dispositivo quando há crianças nas proximidades. Não se deve permitir brincar às crianças com o dispositivo. Não se deve permitir utilizar o dispositivo às crianças e pessoas não familiarizadas com o dispositivo.
5. ADVERTÊNCIA: O presente dispositivo pode ser utilizado pelas crianças com idade

superior a 8 anos e pelas pessoas com capacidade física ou psíquica limitadas ou pelas pessoas que não foram instruídas com as regras de utilização, desde que tal utilização se realize sob vigilância de pessoa responsável pela segurança ou desde que estas pessoas tenham sido instruídas sobre as regras de utilização do aparelho e advertidas sobre o perigo relacionado com tal utilização. As crianças não devem brincar com o presente aparelho. A limpeza e conservação do aparelho não devem ser realizadas por crianças, a não ser que cumpram 8 anos de idade e desde que efetuadas sob vigilância de adultos.

6. Sempre depois de finalizar o uso, tirar o pino de tomada da tomada de alimentação agarrando com a mão a tomada de alimentação. NÃO tirar para si o cabo de alimentação.

7. Não submergir o cabo, pino de tomada nem todo o dispositivo em água ou outro líquido. Não expôr o dispositivo à ação das condições atmosféricas (chuva, sol, etc.) nem utilizar em condições de umidade aumentada (banheiros, casas de camping úmidas).

8. Verificar periodicamente o estado de cabo de alimentação. Se o cabo de alimentação está deteriorado, então deve ser substituído por uma oficina de reparos especializada para evitar o perigo.

9. Não utilizar o dispositivo com o cabo de alimentação deteriorado ou se foi deixado cair ou foi deteriorado de qualquer outra maneira ou funciona de maneira incorreta. Não o dispositivo por conta própria porque existe perigo de choque eléctrico.

O dispositivo deteriorado deve-se levar ao ponto de serviço técnico adequado para levar a cabo a verificação ou reparação. Todo tipo de reparações podem ser levadas a cabo somente pelos pontos de serviço técnico autorizados. A reparação realizada de maneira incorreta pode ser causa de grave perigo para o usuário."

10. O dispositivo deve-se colocar numa superfície fria, estável, plana, longe de aparelhos de cozinha que se esquentam como: cozinha eléctrica, queimador a gas, etc.

11. Não utilizar o dispositivo perto de materiais inflamáveis.

12. O cabo de alimentação não pode pender da borda da mesa ou tocar superfícies quentes.

13. Não deixar sem supervisão o dispositivo ligado à tomada.

14. Para garantir a protecção adicional, recomenda-se instalar no circuito eléctrico um disjuntor diferencial (RCD) destinado à corrente nominal inferior a 30 mA. Neste âmbito é recomendável perguntar um electricista.

15. Não permitir que o rádio fique molhado.

16. Pode-se limpar o rádio apenas com um tecido seco. Não utilizar água ou outros líquidos para a limpeza.

17. Deve-se utilizar regularmente os discos especiais destinados à limpeza do leitor de CD.

18. O rádio deve ser armazenado num lugar seco.

Descrição do dispositivo (Dab Radio):

1. Visor LCD 2. Botão Predefinição 3. Anterior / Digitalizar 4. Próximo 5. Botão Volume +/- 6. Suspende 7. Seleção / Soneca 8. Menu / Informações 9. DAB / FM 10. LIGADO / DESLIGADO 11. Micro-USB 12. Entrada para fone de ouvido de 3,5 mm.

Primeira configuração:

1. Verifique se o dispositivo está totalmente carregado. Para isso, conecte o dispositivo pelo cabo Micro USB a uma fonte de energia adequada.

2. Pressione e segure o botão Liga / Desliga (10) por 2 segundos.

3. A primeira vez que o DAB Digital Radio

4. Quando o seu rádio digital DAB estiver usando o adaptador de energia, pressione o botão POWER (10) para ligar 'e' standby '.

Desconecte o adaptador de energia para desligar completamente o seu rádio digital.

5. Quando o seu rádio digital DAB estiver usando baterias, pressione e mantenha pressionado o botão POWER (10) por 2 segundos ou desligue o interruptor 's', ele iniciará o modo DAB. Ele procurará automaticamente as estações de rádio disponíveis.

Botão DAB / FM

Mudando para o modo DAB / FM

1. Na primeira vez em que o rádio digital DAB for ligado, ele iniciará o modo DAB.

2. Se o dispositivo estiver no modo DAB, pressione o botão DAB / FM (9) repetidamente até que FM seja exibido no visor.

3. Uma vez no modo FM, o seu rádio digital DAB sintoniza o início da faixa de FM disponível (87.50MHz) ou a última estação de FM listada.

4. Para alterar manualmente a frequência FM, verifique se você não selecionou nenhum outro submenu. Gire o TU +/- (para alterar a frequência em 0,05 MHz).

Alterando as informações da tela DAB

1. Se o rádio digital DAB estiver no modo DAB, pressione o botão MENU / INFO (8) para selecionar informações diferentes a serem exibidas no visor, como DLS (segmento de etiqueta dinâmica), intensidade do sinal, PTY (tipo de programa), conjunto, frequência, qualidade do sinal, codec de taxa de bits, hora e data.
2. Se o Rádio Digital DAB estiver no modo FM, pressione o botão MENU / INFO (8) para selecionar informações diferentes a serem exibidas no visor, como texto de rádio, PTY (Tipo de Programa), PS (Serviço de Programa), estéreo / mono, hora, data.

#### Modo DAB - escolhendo opções de menu

1. Se o Rádio Digital DAB estiver no modo DAB, pressione e mantenha pressionado o botão MENU / INFO (8) para acessar a lista de menus. Pressione o botão Próximo / Anterior (3,4) para selecionar a opção na lista de menus. Depois, pare na sua opção preferida e pressione o botão SELECIONAR (7) para confirmar. As opções do menu são varredura completa, sintonia manual, DRC, remoção, sistema.

2. Varredura completa - na lista de menus, pressione o botão Avançar / Anterior (3,4) para selecionar "Varredura completa" na lista de menus. Pressione o botão SELECIONAR (7) para confirmar e a varredura completa será iniciada automaticamente. Quando concluído, o rádio retorna para reproduzir a estação selecionada anteriormente ou a primeira estação na lista de estações.

Nota: se nenhuma estação de rádio for encontrada, ela mostra "No DAB Station". Para uma melhor recepção, estenda a antena ou faça a varredura completa novamente em outro local.

3. Sintonização manual - além do método normal de varredura, você também pode sintonizar manualmente um canal / frequência específico. Isso pode ser útil para ajustar sua antena para obter a melhor recepção possível e procurar um canal específico para atualizar a lista de estações. Na lista de menus, pressione o botão Próximo / Anterior (3,4) para selecionar "Sintonia manual" na lista de menus, pressione o botão Selecionar (7) para confirmar. Em seguida, pressione o botão Próximo / Anterior (3,4) para selecionar um canal / frequência específico e, em seguida, pressione o botão SELECT (7) para confirmar a configuração. O visor mostra uma indicação ao vivo da força do sinal recebido na frequência selecionada. Os ajustes na sua antena serão manifestos na intensidade do sinal recebido exibido.

5. Eliminar - remove todas as estações inválidas indicadas na lista de estações com um '?' em frente ao nome da estação. Na lista de menus, pressione o botão Avançar / Anterior (3,4) para selecionar "Remover" na lista de menus. Pressione o botão SELECIONAR (7) para confirmar. Em seguida, pressione o botão Avançar / Anterior (3,4) para selecionar < Sim > e pressione o botão SELECIONAR (7) para confirmar

6.0 Hora - se houver algum sinal de rádio DAB +, a máquina atualizará automaticamente a hora, não há sinal, também pode ser definido manualmente.

\* Definir hora / data: definir hora / definir minutos / definir mês / definir data > definir ano > salvo

\* Opções de atualização automática: atualização de Qualquer / atualização de DAB / atualização de FM / sem atualização

\* Definir 12/24 horas: 12 horas / 24 horas

\* Defina o formato da data: DD-MM-AAAA / MM-DD-AAAA Percorra o menu Hora pressionando o botão SELECIONAR (7), selecione uma opção específica e pressione o botão SELECIONAR (7).

6.1 Luz de fundo - esta tela de rádio tem uma luz de fundo que pode ser ajustável. Você pode selecionar o tempo limite da luz de fundo do seu rádio. No menu do sistema, pressione o botão Próximo / Anterior (3,4) para selecionar "Luz de fundo" na lista de menus. Pressione o botão SELECIONAR (7) para confirmar "Alto", "Médio" ou "Baixo".

6.2 Idioma - o idioma usado para exibir mensagens pode ser selecionado nas opções abaixo: English | Francês No menu do sistema, pressione o botão Próximo / Anterior (3,4) para selecionar "Idioma" na lista de menus. Pressione o botão SELECIONAR (7) para confirmar. Percorra o menu Idioma pressionando o botão Próximo / Anterior (3,4), selecione e pare em um idioma específico. Pressione o botão SELECIONAR (7) para confirmar.

6.3 Redefinição de fábrica - Esta função limpa todas as configurações definidas pelo usuário, substituindo-as pelos valores padrão originais, para que hora / data, preferências / configurações, lista de estações DAB e estações predefinidas sejam perdidas. No menu do sistema, pressione o botão Avançar / Anterior (3,4) para selecionar "Redefinição de fábrica" na lista de menus. Pressione o botão SELECIONAR (7) para confirmar. Em seguida, use o botão Próximo / Anterior (3,4) para escolher < Sim > e pressione o botão SELECIONAR (7) para iniciar a redefinição de fábrica.

6.4 Versão do software - é usada para exibir a versão atual do software.

No menu do sistema, pressione o botão Avançar / Anterior para selecionar "Versão do software" na lista de menus. Pressione o botão SELECIONAR para confirmar. Em seguida, a versão SW existente será exibida.

#### Modo FM - escolhendo opções de menu

1. Se o Rádio Digital DAB estiver no modo FM, pressione e mantenha pressionado o botão MENU / INFO (8) para entrar na lista de menus também. Pressione o botão Próximo / Anterior (3,4) para selecionar a opção na lista de menus. Depois, pare na sua opção preferida e pressione o botão SELECIONAR (7) para confirmar. As opções do menu são configuração de digitalização, configuração de áudio, sistema.

2. Configuração de varredura - por padrão, as varreduras de FM param em qualquer estação disponível (Todas as estações). Isso pode resultar em áudio de baixa qualidade de estações fracas.

Opções: Apenas estações fortes / Todas as estações Na lista de menus, pressione o botão Avançar / Anterior (3,4) para selecionar uma opção específica em "Configuração da digitalização" e, em seguida, pressione o botão SELECIONAR (7) para confirmar a alteração na nova configuração.

3. Configuração de áudio - por padrão, todas as estações estéreo são reproduzidas em estéreo. Para estações fracas, isso pode resultar em áudio de baixa qualidade. A qualidade do áudio pode ser melhorada usando mono. Opções: Stereo permitido | Mono forçado Na lista de menus, pressione o botão Avançar / Anterior (3,4) para selecionar uma opção específica em "Configuração de áudio" e, em seguida, pressione o botão SELECIONAR (7) para confirmar a alteração na nova configuração. Ele mudará automaticamente para uma nova configuração após 3 segundos.

Botão PRESET

Predefinir 20 estações DAB e 20 estações favoritas de FM

1. Armazene uma estação na lista predefinida - para armazenar uma estação, selecione a estação de rádio desejada e pressione e segure o botão PRESET (2) por um segundo até que o visor LCD "Preset store #: (Empty)" ou "#: estação de rádio salva".

2. Pressione o botão Avançar / Anterior (3,4) para selecionar o número programado da estação desejada. Pressione o botão SELECT (7) para confirmar sua seleção, o visor exibirá "Preset # Stored".

Recupere uma estação da lista Predefinição

1. Para recuperar uma estação programada, pressione o botão "PRESET" uma vez, gire o botão Avançar / Anterior (3,4) para selecionar a estação programada que você armazenou. Quando o visor mostrar o número predefinido desejado, pressione o botão SELECT (7) para confirmar.

Nota: Se você escolher uma predefinição que não tenha sido atribuída a uma estação, será exibido "Vazio".

Botão Próximo / Anterior

Escolhendo estações de rádio ou opções

1. Se o Rádio Digital DAB estiver no modo DAB, pressione o botão Próximo / Anterior (3,4) para percorrer a lista de estações de rádio enquanto estiver ouvindo. Ou pressione o botão Próximo / Anterior (3,4) para percorrer a lista de menus para obter opções.

2. Se o Rádio Digital DAB estiver no modo FM, pressione o botão Próximo / Anterior (3,4) para ajustar manualmente a frequência em 0,05MHz. Ou você pode pressionar e segurar o botão TU +/- (3,4) para verificar a estação automaticamente. Ou pressione o botão Próximo / Anterior (3,4) para percorrer a lista de menus para obter opções.

Botão VOLUME +/-

ajustando o volume

Gire o botão de volume para aumentar ou diminuir o volume.

## CONFIGURAÇÃO DE ALARMES E TEMPORIZADORES

Você pode definir dois alarmes, que podem sintonizar uma estação de rádio ou emitir um som.

Nota: Os alarmes soam quando estão ligados ou no modo de espera e conectados a uma fonte de alimentação.

Os alarmes não soam quando está desligado.

Definir um alarme

1. Pressione e segure o botão Menu (8) por 2 segundos para visualizar o menu principal.

2. Gire e pressione o botão Próximo / Anterior (3,4) para selecionar 'Sistema' > 'alarme'.

3. Pressione o botão Selecionar (7) para alterar o 'Assistente de alarme 1'

4. Pressione o botão Próximo / Anterior (3,4) para ajustar as horas e os minutos, pressione Selecionar (7) para confirmar cada seção.

5. Pressione o botão Selecionar, selecione 'Origem'.

6. Pressione o botão Próximo / Anterior (3,4) para selecionar 'Campainha 1', 'FM' ou 'DAB' e, em seguida, pressione o botão Selecionar (7) para confirmar.

7. Se você escolheu o rádio 'Digital Radio' ou 'FM', pressione o botão Próximo / Anterior (3,4) para selecionar 'Preset' (2). Para reproduzir a estação que você ouviu pela última vez, gire e pressione o botão Seletor para selecionar 'Última escuta' ou gire e pressione o botão Avançar / Anterior (3,4) para escolher uma estação de rádio da lista predefinida.

Nota: Pule esta etapa se estiver configurando um alarme de tom.

8. Pressione o botão Avançar / Anterior (3,4) para selecionar 'Diariamente', 'Uma vez', 'Fins de semana' ou 'Dias da semana'. depois pressione o botão Selecionar (7) para confirmar.

9. Pressione o botão Próximo / Anterior (3,4) e selecione 'Volume'. Pressione o botão Selecionar (7) para confirmar.

10. Gire e pressione Selecionar (7) para ativar 'Alarme' em 'Ligado'.

11. Gire e pressione Selecion. (7) para ativar 'Alarme salvo'.

Definir o temporizador

1. Pressione e segure o botão Menu por 2 segundos para visualizar o menu principal.

2. Gire e pressione o botão Próximo / Anterior (3,4) para selecionar 'Sistema' > 'Suspende'.

3. Gire e pressione o botão Próximo / Anterior (3,4) para ajustar a duração do temporizador.

Cancelar um alarme sonoro

Pressione Standby (10) para cancelar qualquer alarme sonoro ou pressione Source para cancelar e deixar o rádio ligado.

Adiando um alarme sonoro

Para adiar um alarme sonoro, pressione o botão Selecionar / Adiar (7). O visor exibirá um cronômetro de contagem regressiva para mostrar quanto tempo o alarme será interrompido. Para ajustar a quantidade de tempo em que o alarme será adiado, pressione o botão Seleção contínua / Soneca (7) para alterar a duração da soneca em intervalos de 5 minutos até 15 minutos e, em seguida, 30 minutos.

Para cancelar um alarme de soneca, pressione o botão Standby (10).

Frequências Digital: Banda III 174-240 MHz, FM: 87,5-108 MHz

Fonte de alimentação receptora micro-USB DC de 5V (1A)

(cabo fornecido)

Bateria recarregável de íons de lítio (2000 mAh)

Entradas Tomada micro-USB de 5V DC (1A)

Dispositivo fabricado com classe de isolamento II e não precisa de ligação à terra. Dispositivo está conforme com os requisitos das diretivas:

Dispositivo elétrico de baixa voltagem (LVD)

Compatibilidade eletromagnética (EMC)

Produto com símbolo CE na placa de características.



Proteção do meio ambiente. Rogamos, os embalagens de cartão destinem-se para papéis velhos. Os sacos de polietileno (PE) devem-se colocar em contenedores para material plástico. O dispositivo usado deve-se levar a um ponto de armazenamento adequado porque os componentes perigosos que ficam dentro do dispositivo podem ser perigosos para o meio ambiente. O dispositivo elétrico deve-se entregar de modo que se reduza a sua nova utilização e uso. Se no dispositivo há pilhas, devem-se tirar e levar a um ponto de armazenamento em separado. Não colocar o dispositivo em contenedores para resíduos municipais!!

## BENDROSIOS SAUGOS SĄLYGOS SVARBIAS SAUGAUS NAUDOJIMO INSTRUKCIJAS BŪTINA ATIDŽIAI PERSKAITYTI IR IŠSAUGOTI ATEIČIAI

Jeigu prietaisas naudojama komerciniais tikslais, taikomos kitokios garantijos sąlygos.

1. Prieš pradėdant naudoti prietaisą būtina perskaityti naudojimo instrukciją ir vadovautis joje pateikiamais nurodymais. Gamintojas neatsako už žalą, padarytą naudojant prietaisą ne pagal jo paskirti ar netinkamai jį naudojant.
2. Prietaisas skirtas naudoti tik namų ūkyje. Nenaudoti kitiems tikslams, neatitinkantiems jo paskirties.
3. Prietaisą galima jungti tik į 230 V ~ 50 Hz. Naudojimo saugai padidinti į vieną srovės grandinę vienu metu nejungti kelių elektros prietaisų.
4. Būtina imtis ypatingo atsargumo naudojantis prietaisu, kai šalia yra vaikų. Neleisti vaikams žaisti su prietaisu. Neleisti vaikams ar prietaiso neišmanantiems asmenims juo naudotis.
5. SPĖJIMAS: Šis prietaisas gali būti naudojamas vyresnių nei 8 metų amžiaus vaikų ir ribotų fizinių, jutiminių ar psichinių gebėjimų ar asmenų, neturinčių patirties ar nemokančių naudotis, jeigu juos prižiūri už jų saugą atsakingas asmuo ar jiems buvo paaiškinta, kaip saugiai naudoti prietaisą ir jie suvokia su jo naudojimu susijusius pavojus. Neleisti vaikams žaisti su prietaisu. Neleisti prietaisą valyti ir prižiūrėti vaikams, nebent jie yra vyresni nei 8 metų amžiaus ir juos prižiūri.
6. Prieš valant ar baigus naudoti kištuką ištraukti iš tinklo lizdo prilaikant lizdą ranka. NETRAUKTI už maitinimo laido.
7. Nenardinti laido, kištuko ar viso prietaiso į vandenį ar kitokį skystį. Nepalikti prietaiso, kad jį veiktų aplinkos veiksniai (lietus, saulė ir pan.), taip pat nenaudoti padidėjusios drėgmės sąlygomis (vonios kambariuose, drėgnuose kempingo nameliuose).
8. Periodiškai patikrinti maitinimo laido būklę. Pažeistas laidas turėtų būti pakeistas specializuotos taisyklos, kad būtų išvengta galimo pavojaus.
9. Nenaudoti prietaiso, jeigu pažeistas maitinimo laidas ar prietaisas buvo numestas, kitaip sugadintas arba netinkamai veikia. Netaisyti prietaiso savarankiškai, nes gresia smūgis. Sugadintą prietaisą atiduoti atitinkamam servisui, kad patikrintų ar pataisytų. Bet kokius taisymus gali atlikti tik įgaliotieji servisi. Netinkamai atliktas taisymas gali kelti rimtą pavojų naudotojui.
10. Prietaisą statyti ant vėsaus, stabilaus, lygaus paviršiaus, toliau nuo kaistančių virtuvės prietaisų: elektrinės viryklės, dujų degiklių ir pan.
11. Nenaudoti prietaiso šalia degių medžiagų.
12. Maitinimo laidas negali kabėti už stalo briaunos ar liestis su karštais paviršiais.
13. Nepalikti į lizdą įjungto prietaiso be priežiūros.
14. Papildomai apsaugai užtikrinti rekomenduojama elektros tinkle įrengti srovės diferencinį prietaisą (RCD), kurio vardinė diferencinė srovė neviršija 30 mA. Šiuo atveju būtina kreiptis į kvalifikuotą elektriką.
15. Saugoti, kad radijas nesudrėktų.
17. Radiją galima valyti tik sausu skudurėliu. Nenaudoti vandens ir valiklių.
17. Būtina reguliariai naudoti specialias plokšteles CD grotuvui valyti.
18. Radiją laikyti sausoje patalpoje.



[renginio aprašymas („Dab Radio“):

1. Skystųjų kristalų ekranas
2. Išankstinio nustatymo mygtukas
3. Ankstesnis / Nuskaitymas
4. Kitas
5. Garsumo mygtukas +/-
6. Miego režimas
7. Pasirinkite / Snausti
8. Meniu / informacija
9. DAB / FM
10. Įjungimas / išjungimas
11. „Micro-USB“
12. 3,5 mm ausinių lizdas.

Pirmasis nustatymas:

1. Įsitikinkite, kad prietaisas visiškai įkrautas. Prijunkite prietaisą „Micro USB“ kabeliu prie tinkamo maitinimo šaltinio.
2. 2 sekundes palaikykite paspaudę maitinimo mygtuką (10).
3. Pirmą kartą DAB skaitmeninis radijas
4. Kai jūsų DAB skaitmeninis radijas naudoja maitinimo adapterį, paspauskite POWER (10) mygtuką, kad įjungtumėte „įjungimą“ ir „budėjimo režimą“. Norėdami visiškai išjungti savo skaitmeninį radiją, atjunkite maitinimo adapterį.
5. Kai jūsų DAB skaitmeninis radijas naudoja baterijas, 2 sekundes palaikykite paspaudę mygtuką POWER (10) arba perjunkite jungiklį „išjungti“, jis įjungs DAB režimą. Jis automatiškai nuskaitys galimas radijo stotis.

DAB / FM mygtukas

Perjungimas į DAB / FM režimą

1. Pirmą kartą įjungus DAB skaitmeninį radiją, jis įjungs DAB režimą.
2. Jei prietaisas veikia DAB režimu, keletą kartų paspauskite mygtuką DAB / FM (9), kol ekrane pasirodys FM.
3. Kai įjungsite FM režimą, jūsų DAB skaitmeninis radijas įsijungs prie galimo FM diapazono (87,50MHz) arba paskutinės išvardytos FM stoties pradžios.
4. Norėdami rankiniu būdu pakeisti FM dažnį, įsitikinkite, kad nepasirinkote jokių kitų antrinių meniu. Pasukite TU +/- (jei norite pakeisti dažnį 0,05MHz).

DAB rodymo informacijos keitimas

1. Jei DAB skaitmeninis radijas veikia DAB režimu, paspauskite mygtuką MENU / INFO (8), norėdami pasirinkti kitą informaciją, rodomą ekrane, pvz., DLS (dinaminio etiketės segmentas), signalo stiprumą, PTY (programos tipą), ansamblių, dažnis, signalo kokybė, spartos kodekas, laikas, data.
2. Jei DAB skaitmeninis radijas veikia FM režimu, paspauskite mygtuką MENU / INFO (8), norėdami pasirinkti kitą ekrane rodomą informaciją, tokią kaip radijo tekstas, PTY (programos tipas), PS (programos tarnyba), stereo / mono, laikas, data.

DAB režimas - meniu parinkčių pasirinkimas

1. Jei DAB skaitmeninis radijas veikia DAB režimu, paspauskite ir palaikykite mygtuką MENU / INFO (8), kad patektumėte į meniu sąrašą. Paspauskite mygtuką Kitas / Ankstesnis (3,4), norėdami pasirinkti parinktį iš meniu sąrašo. Tada sustokite prie pasirinktos parinkties ir paspauskite mygtuką SELECT (7), kad patvirtintumėte. Meniu parinkties yra visas nuskaitymas, rankinis derinimas, DRC, genėjimas, sistema.
2. Visas nuskaitymas - meniu sąrašas paspauskite mygtuką Kitas / Ankstesnis (3,4), kad meniu sąrašas pasirinktumėte „Visas nuskaitymas“, paspauskite mygtuką SELECT (7), kad patvirtintumėte, ir visas nuskaitymas prasideda automatiškai, kai nuskaitymas yra atliktas. baigtas, radijas grįžta groti anksčiau pasirinktos stoties arba pirmosios stoties sąrašas.  
Pastaba: jei radijo stoties nerasta, rodoma „No DAB Station“. Norėdami geriau priimti, pratęskite anteną arba atlikite visą nuskaitymą kitoje vietoje.
3. Rankinis melodija - kaip ir įprastą nuskaitymo būdą, taip pat rankiniu būdu galite nustatyti tam tikrą kanalą / dažnį. Tai gali būti naudinga pritaikant anteną, kad būtų galima kuo geriau priimti ir nuskaityti tam tikrą kanalą, kad būtų atnaujintas stočių sąrašas. Meniu sąrašas paspauskite mygtuką Kitas / Ankstesnis (3,4), kad meniu sąrašas pasirinktumėte „Rankinis derinimas“. Norėdami patvirtinti, paspauskite mygtuką „Pasirinkti“ (7). Tada paspauskite mygtuką Kitas / Ankstesnis (3,4), kad pasirinktumėte tam tikrą kanalą / dažnį, tada paspauskite mygtuką SELECT (7), kad patvirtintumėte parametrus. Ekrane rodomas tiesioginis gauto signalo stiprumo nurodymas pasirinktu dažniu. Antenos koregavimas pasireiškis rodomu signalo stiprumu.

5. Slyva - pašalinamos visos netinkamos stotys, nurodytos stočių sąrašas „?“ priešais stoties pavadinimą. Meniu sąrašas paspauskite mygtuką Kitas / Ankstesnis (3,4), kad meniu sąrašas pasirinktumėte „Prune“, o paspauskite mygtuką SELECT (7), kad patvirtintumėte, tada paspauskite mygtuką Next / Previous (3,4), kad pasirinktumėte < Taip> ir paspauskite mygtuką SELECT (7), kad patvirtintumėte

6.0. Laikas - jei yra koks nors DAB + radijo signalas, mašina automatiškai atnaujins laiką, signalo nėra, taip pat galima nustatyti rankiniu būdu.

\* Nustatykite laiką / datą: nustatykite valandą / nustatykite minutę / nustatykite mėnesį / nustatyti datą> nustatykite metus> išsaugokite

\* Automatinio atnaujinimo parinktys: atnaujinti iš bet kurio / atnaujinti iš DAB / atnaujinti iš FM

/ nėra atnaujinimo

\* Nustatykite 12/24 valandą: 12 arba 24 valandas

\* Nustatykite datos formatą: DD-MM-YYYY / MM-DD-YYYY Pereikite per meniu meniu spausdami mygtuką SELECT (7), pasirinkite tam tikrą parinktį ir paspauskite mygtuką SELECT (7).

6.1. Foninis apšvietimas - šis radijo ekranas turi reguliuojamą foninį apšvietimą. Laiką galite pasirinkti iš radijo ekrano apšvietimo. Sistemos meniu paspauskite mygtuką Kitas / Ankstesnis (3,4), kad meniu sąrašas pasirinktumėte „Apšvietimas“. Paspauskite mygtuką SELECT (7), kad patvirtintumėte į „High“, „Medium“ arba „Low“.

6.2. Kalba - kalbą, naudojamą rodomiems pranešimams, galima pasirinkti iš toliau pateiktų parinkčių: English | „Francais“ Sistemos meniu paspauskite mygtuką Kitas / Ankstesnis (3,4), kad meniu sąrašas pasirinktumėte „Kalba“. Norėdami patvirtinti, paspauskite mygtuką SELECT (7). Norėdami pereiti prie kalbos meniu, paspauskite mygtuką Kitas / Ankstesnis (3,4), pasirinkite ir sustabdykite tam

tikrą kalbą. Norėdami patvirtinti, paspauskite mygtuką SELECT (7).

6.3. Gamyklinis atstatymas - ši funkcija išvalo visus vartotojo nustatytus parametrus, pakeisdama juos pradinėmis numatytosiomis reikšmėmis, taigi, laikas / data, nuostatos / nustatymai, DAB stočių sąrašas ir iš anksto nustatytos stotys yra prarandami. Sistemos meniu paspauskite mygtuką Kitas / Ankstesnis (3,4), kad meniu sąrašė pasirinktumėte „Gamintojo atstatymas“. Paspauskite mygtuką SELECT (7), kad patvirtintumėte. Tada naudokite mygtuką Kitas / Ankstesnis (3,4), kad pasirinktumėte <Tap>, ir paspauskite mygtuką SELECT (7), norėdami pradėti gamyklinius nustatymus.

6.4. Programinės įrangos versija - naudojama dabartinei programinės įrangos versijai parodyti.

Sistemos meniu paspauskite mygtuką Kitas / Ankstesnis, norėdami pasirinkti „Programinės įrangos versija“ meniu sąrašė. Paspauskite mygtuką SELECT, kad patvirtintumėte. Tada bus rodoma esama SW versija.

FM režimas - meniu parinkčių pasirinkimas

1. Jei DAB skaitmeninis radijas veikia FM režimu, paspauskite ir palaikykite mygtuką MENU / INFO (8), kad patektumėte ir į meniu sąrašą. Paspauskite mygtuką Kitas / Ankstesnis (3,4), norėdami pasirinkti parinktį meniu sąrašė. Tada sustokite prie pasirinktos parinkties ir paspauskite mygtuką SELECT (7), kad patvirtintumėte. Meniu parinkty yra nuskaitymo nustatymas, garso nustatymas, sistema.

2. Skenavimo nustatymas - pagal numatytuosius nustatymus FM skenavimas sustabdomas bet kurioje galimoje stotyje (Visos stotys). Tai gali sukelti prastos kokybės garsą iš silpnų stočių.

Parinkty: Tik stiprios stotys / Visos stotys Meniu sąrašė paspauskite mygtuką Kitas / Ankstesnis (3,4), norėdami pasirinkti tam tikrą parinktį „Nuskaitymo nustatymai“, tada paspauskite mygtuką SELECT (7), kad patvirtintumėte pakeitimą nauju parametru. .

3. Garso nustatymas - pagal nutylėjimą visos stereo stotys atkuriamos stereofoniniu būdu. Silpnoms stotims tai gali sukelti prastos kokybės garsą. Garso kokybę galima pagerinti naudojant monofoninį. Parinkty: leidžiama naudoti stereofoninį garsą Priverstinis monofoninis meniu meniu paspauskite mygtuką Kitas / Ankstesnis (3,4), norėdami pasirinkti tam tikrą parinktį „Garso nustatymai“, tada paspauskite mygtuką SELECT (7), kad patvirtintumėte pakeitimą nauju parametru. Po 3 sekundžių jis automatiškai pasikeis į naują nustatymą.

PRESET mygtukas

Iš anksto nustatykite 20 DAB ir 20 FM mėgstamų stočių

1. Įrašykite stotį į iš anksto nustatytą sąrašą - norėdami išsaugoti stotį, pažymėkite norimą radijo stotį, tada sekundę paspauskite ir laikykite nuspaudę mygtuką PRESET (2), kol LCD ekrane pasirodys „Preset store #: (Empty)“ arba „#: išsaugota radijo stotis“.

2. Norėdami pasirinkti norimą radijo stoties numerį, paspauskite mygtuką Kitas / Ankstesnis (3,4). Paspauskite mygtuką SELECT (7), kad patvirtintumėte pasirinkimą, ekrane pasirodys „Preset # Stored“.

Prisiminkite stotį iš „Preset“ sąrašo

1. Norėdami atšaukti iš anksto nustatytą stotį, vieną kartą paspauskite mygtuką „PRESET“, arba pasukite mygtuką Kitas / Ankstesnis (3,4), norėdami pasirinkti išsaugotą iš anksto nustatytą stotį. Kai ekrane rodomas norimas iš anksto nustatytas numeris, paspauskite mygtuką SELECT (7), kad patvirtintumėte.

Pastaba: Jei pasirinksite iš anksto nustatytą stotį, kuriai nebuvo paskirta stotis, pasirodys pranešimas „Tuščia“.

Kitas / ankstesnis mygtukas

Radijo stočių ar parinkčių pasirinkimas

1. Jei DAB skaitmeninis radijas veikia DAB režimu, paspauskite mygtuką Kitas / Ankstesnis (3,4), jei norite klausytis radijo stočių sąrašo. Arba paspauskite mygtuką Kitas / Ankstesnis (3,4), kad pasirinktumėte meniu sąrašą.

2. Jei DAB skaitmeninis radijas veikia FM režimu, paspauskite mygtuką Kitas / Ankstesnis (3,4), kad rankiniu būdu sureguliuotumėte dažnį 0,05MHz. Arba galite paspausti ir palaikyti mygtuką TU +/- (3,4), norėdami automatiškai nuskaityti stotį. Arba paspauskite mygtuką Kitas / Ankstesnis (3,4), kad pasirinktumėte meniu sąrašą.

VOLUME +/- mygtukas  
reguliuodamas garsumą

Pasukite garsumo ratuką, kad padidintumėte arba sumažintumėte garsumą.

ISPĖJIMŲ IR LAIKMENIŲ NUSTATYMAS

Galite nustatyti du aliarmus, kurie gali būti suderinti su radijo stotimi arba garsu.

Pastaba: aliarmai skamba tik tada, kai jie yra įjungti arba laukimo režime ir prijungti prie maitinimo šaltinio.

Įspėjimai nesigirdi, kai išjungta.

Signalo nustatymas

1. Norėdami pamatyti pagrindinį meniu, 2 sekundes palaikykite nuspaudę meniu mygtuką (8).

2. Pasukite ir paspauskite mygtuką Kitas / Ankstesnis (3,4), kad pasirinktumėte „Sistema“> „Aliarmas“.

3. Paspauskite mygtuką Pasirinkti (7), kad pakeistumėte „1 pavojaus signalo vedlį“.

4. Paspausdami mygtuką Kitas / Ankstesnis (3,4), norėdami sureguliuoti valandas ir minutes, paspauskite Pasirinkti (7), kad patvirtintumėte kiekvieną skyrių.

5. Paspauskite mygtuką Pasirinkti, pasirinkite „Šaltinis“.

6. Paspauskite mygtuką Kitas / Ankstesnis (3,4), kad pasirinktumėte „Buzzer“, „FM“ arba „DAB“, tada paspauskite mygtuką „Pasirinkti“ (7), kad patvirtintumėte.

7. Jei pasirinkote „Digital Radio“ arba „FM“ radiją, paspauskite Next / Previous (3,4) mygtuką, kad pasirinktumėte „Preset“ (2). Norėdami atkurti radijo stotį, kurią paskutinį kartą klausėtės, pasukite ir paspauskite rinkimo ratuką, kad pasirinktumėte „Paskutinį kartą klausėte“, arba pasukite ir paspauskite mygtuką Kitas / Ankstesnis (3,4), norėdami pasirinkti radijo stotį iš anksto nustatytų sąrašo.

Pastaba: praleiskite šį veiksmą, jei nustatote Signalą signalas.

8. Paspauskiet mygtukā **Kitas / Ankstesnis (3,4)**, kad pasirinktumēte „kasdien“. „Vienā kartā“, „savaitgalii“ arba „savaitės dienos“. tada paspauskiet mygtukā **Pasirinkti (7)**, kad patvirtintumēte.
9. Paspauskiet mygtukā **Kitas / Ankstesnis (3,4)** ir pasirinkite „Garsumas“. Norėdami patvirtinti, paspauskiet mygtukā **Pasirinkti (7)**.
10. Pasukite ir paspauskiet „Select“ (7), kad „Alarm“ būtų įjungtas į „On“.
11. Pasukite ir paspauskiet „Select“ (7), kad įjungtumēte „Signalizacija išsaugota“.

#### Miego laikmačio nustatymas

1. Norėdami pamatyti pagrindinį meniu, 2 sekundes palaikykite nuspaudę meniu mygtuką.
2. Pasukite ir paspauskiet mygtuką **Kitas / Ankstesnis (3,4)**, kad pasirinktumēte „Sistema“> „Miego režimas“.
3. Pasukite ir paspauskiet mygtuką **Kitas / Ankstesnis (3,4)**, kad sureguliuotumēte miego laikmačio ilgį.

#### Skambančio signalo atšaukimas

Paspauskiet budėjimo režimą (10), norėdami atšaukti bet kokį skambėjimo signalą, arba paspauskiet „Source“, jei norite atšaukti ir palikti radiją įjungta.

#### Snausti skamba signalizacija

Norėdami atidėti skambėjimą, paspauskiet mygtuką **Pasirinkti / Snausti (7)**. Ekrane pasirodys atgalinis laikmatis, kuris parodys, kiek laiko žadintuvas snaudžia. Norėdami pakoreguoti laiką, per kurį žadintuvas bus atidėtas, paspauskiet mygtuką **Nuolatinis pasirinkimas / Snaudas (7)**, kad atidėjimo trukmė būtų keičiama 5 minučių intervalais iki 15 minučių, o po to 30 minučių. Norėdami atšaukti snaudžiantį žadintuvą, paspauskiet budėjimo režimo mygtuką (10).

Skaitmeniniai dažniai: III juosta 174–240 MHz, FM: 87,5–108 MHz

Priimantis maitinimą 5V (1A) DC mikro-USB (pridedamas kabelis)

Ličio jonų akumuliatorius (2000 mAh)

Įėjimui 5 V DC (1A) „Micro-USB“ maitinimo lizdas

Prietaisas yra II izoliacijos klasės ir nereikia jo žeminti. Prietaisas atitinka šių direktyvų reikalavimus:

Elektrinis žemos įtampos prietaisas (LVD)

Elektromagnetinis suderinamumas (EMC)

Prietaisas turi CE ženklą vardinėje lentelėje.



Rūpinantis aplinka. Kartono pakuotes atiduoti į makulatūrą. Polietileno (PE) maišelius mesti į plastikui skirtą konteinerį. Susidėvėjusį prietaisą atiduoti į atitinkamą atliekų surinkimo vietą, kur prietaisai esančios pavojingos medžiagos gali kelti grėsmę aplinkai. Elektrinį prietaisą atiduoti toki, kad nebūtų galima jo pakartotinai naudoti ir panaudoti. Jeigu prietaisai yra baterijos, būtina jas išimti ir atskirai atiduoti į atliekų surinkimo vietą. Nemesti prietaiso į buitinių atliekų konteinerį!

## LATVIEŠU

### VISPARIGI DROSIBAS NOTEIKUMI SVARIGI DROSAS IZMANTOSANAS NORADIJUMI. LŪZDU, UZMANĪGI IZLASIET UN SAGLABĀJIET

Ja ierīce tiek izmantota komerciāliem nolūkiem, garantijas nosacījumi mainās.

1. Pirms ierīces lietošanas, uzmanīgi izlasīt lietošanas instrukciju un rīkoties saskaņā ar tās norādījumiem. Ražotājs nenes atbildību par bojājumiem, kas radušies ierīces nepareizas vai citādi neatbilstošas lietošanas rezultātā.

2. Ierīce paredzēta lietošanai tikai mājās apstākļos. Neizmantojiet ierīci mērķiem, kas neatbilst instrukcijā norādītajiem.

3. Ierīci pieslēgt tikai 230 V ~ 50 Hz tīkla spriegumam. Ar mērķi palielināt lietošanas drošību, nepieslēgt elektropadeves tīklam vienlaicīgi vairākas elektriskās ierīces.

4. Ievērot īpašu piesardzību ierīces lietošanas laikā, ja tuvumā atrodas mazi bērni. Neļaut bērniem rotaļāties ar ierīci. Neatļaut ierīci lietot bērniem vai ar tās lietošanu neiepazīstinātām personām.

5. BRĪDINĀJUMS: Šo ierīci nedrīkst izmantot bērni, kuri nav sasnieguši 8 gadu vecumu, personas ar ierobežotām fiziskām vai garīgām spējām vai personas, kurām nav pieredzes vai zināšanas darbā ar ierīci, ja vien ierīces izmantošana nenotiek atbildīgās personas uzraudzībā vai sekojot atbildīgās personas norādījumiem par drošu aprīkojuma ekspluatāciju, apzinoties draudus saistībā ar ierīces izmantošanu. Bērniem nevajadzētu rotaļāties ar ierīci. Ierīces tīrīšanu un uzglabāšanu nedrīkst veikt bērni, kuri nav sasnieguši vismaz 8 gadu vecumu. Šīs darbības jāveic pieaugušo personu uzraudzībā.

6. Vienmēr atvienojiet strāvas vadu no elektropadeves tīkla pēc ierīces lietošanas beigām, kontaktligzdu pieturot ar roku. NERAUJIET aiz strāvas vada.

7. Neiegremdējiet strāvas vadu, kontaktdakšu kā arī pašu ierīci ūdenī vai arī jebkāda cita veida šķidrumā. Nepakļaujiet ierīci laika apstākļu iedarbībai (lietus, saule, utml.), kā arī

nelietojiet ierīci pārmērīga mitruma apstākļos (vannasistabas, mitri kempinga namiņi).

8. Periodiski pārbaudiet strāvas vada stāvokli. Ja strāvas vads ir bojāts, tas ir jānomaina pret jaunu kvalificētā remontdarbu darbnīcā, lai izvairītos no nevēlamām sekām.

9. Nelietojiet ierīci ar bojātu strāvas vadu, ierīci, kas sabojāta noņemot vai klādu citu apstākļu rezultātā kā arī ierīci, kas nepareizi darbojas. Nemēģiniet labot ierīci pašrocīgi, šāda darbība draud ar strāvas triecienu. Bojātu ierīci nododiet attiecīgajā servisa punktā, lai pārbaudītu vai remontētu ierīci. Visa veida remonta darbus drīkst veikt tikai pilnvarota persona autorizētos servisa centros. Nepareizi remonta darbi var izraisīt nopietnus draudus lietotāja veselībai.

10. Ierīci novietot uz vēsas, stabilas, līdzenas virsmas, prom no silstošām virtuves ierīcēm, tādām kā, piemēram: elektriskā plīts, gāzes deglis, utml.

11. Nelietojiet ierīci viegli uzliesmojošu materiālu tuvumā.

12. Strāvas vads nedrīkst nokarāties pāri galda malai vai būt saskarsmē ar karstām virsmām.

13. Neatstājiet ierīci pievienotu elektropadeves tīklam bez uzraudzības.

14. Papildu aizsardzībai, vannas istabas elektrības piegādes ķēdē ieteicams uzstādīt paliekošās strāvas iekārtu (RCD) ar nominālo strāvu, kas nepārsniedz 30 mA. Šajā sakarā, lūdzu, sazinieties ar kvalificētu elektriķi.

15. Nepieļaut radio iegremdēšanu ūdenī.

16. Radio drīkst slaucīt tikai ar sausu drāniņu. Neizmantojiet ūdeni un tīrīšanas līdzekļus.

17. Regulāri jālieto speciālus diskus, kas paredzēti CD atskaņotāja tīrīšanai.

18. Radio jāuzglabā sausā telpā.

Ierīces apraksts (Dab Radio):

1. LCD displejs 2. Iepriekš iestatīta poga 3. Iepriekšējais / Skenēt 4. Nākamais 5. Skaluma +/- poga 6. Miega režīms 7. Atlasīt / atlikt 8. Izvēlne / informācija 9. DAB / FM 10. Ieslēgšana / izslēgšana 11. Micro-USB 12. 3,5 mm austiņu ligzda.

Pirmā iestatīšana:

1. Pārlicinieties, vai ierīce ir pilnībā uzlādēta. Lai to izdarītu, pievienojiet ierīci ar mikro USB kabeli pie piemērota barošanas avota.

2. Nospiediet un 2 sekundes turiet ieslēgšanas / izslēgšanas pogu (10).

3. Pirmoreiz DAB digitālais radio

4. Kad DAB Digital Radio izmanto strāvas adapteri, nospiediet pogu POWER (10), lai ieslēgtu 'ieslēgšanu' un 'gaidīšanas režīmu'.

Atvienojiet strāvas adapteri, lai pilnībā izslēgtu digitālo radio.

5. Kad jūs DAB digitālais radio izmanto baterijas, 2 sekundes turiet nospiešu pogu POWER (10) vai izslēdziet slēdzi "off", tas iesāks DAB režīmu. Tas automātiski meklēs pieejamās radiostacijas.

DAB / FM poga

Pārslēgšanās uz DAB / FM režīmu

1. Pirmoreiz ieslēdzot DAB digitālo radio, tas sāks DAB režīmu.

2. Ja ierīce ir DAB režīmā, atkārtoti nospiediet DAB / FM (9) pogu, līdz displejā tiek parādīts FM.

3. Kad būsiet FM režīmā, jūs DAB digitālais radio tiks iestatīts uz pieejamo FM diapazona sākumu (87,50MHz) vai pēdējo sarakstā esošo FM staciju.

4. Lai manuāli mainītu FM frekvenci, pārlicinieties, vai neesat izvēlējis citas apakšizvēlnes. Pagrieziet TU +/- (lai mainītu frekvenci par 0,05MHz).

DAB displeja informācijas mainīšana

1. Ja DAB digitālais radio atrodas DAB režīmā, nospiediet pogu MENU / INFO (8), lai izvēlētos atšķirīgu displejā redzamo informāciju, piemēram, DLS (dinamiskā etiķetes segments), signāla stiprums, PTY (programmas tips), ansambļis, frekvence, signāla kvalitāte, bitu pārraides ātruma kodekss, laiks, datums.

2. Ja DAB digitālais radio ir FM režīmā, nospiediet pogu MENU / INFO (8), lai izvēlētos atšķirīgu displejā redzamo informāciju, piemēram, radio tekstu, PTY (programmas tips), PS (programmas pakalpojums), stereo / mono, laiks, datums.

DAB režīms - izvēlnes opciju izvēle

1. Ja DAB digitālais radio atrodas DAB režīmā, nospiediet un turiet pogu MENU / INFO (8), lai atvērtu izvēlni sarakstu. Nospiediet pogu Nākamais / Iepriekšējais (3,4), lai izvēlnē sarakstā atlasītu opciju. Pēc tam apstājieties pie vēlamās opcijas un nospiediet apstiprināšanas pogu SELECT (7). Izvēlnes opcijas ir pilna skenēšana, manuāla iestatīšana, DRC, zāvēta plūme, sistēma.

2. Pilna skenēšana - izvēlnē sarakstā nospiediet pogu Nākamais / Iepriekšējais (3,4), lai izvēlnē sarakstā atlasītu "Pilna skenēšana", nospiediet pogu SELECT (7), lai apstiprinātu, un pilna skenēšana sākas automātiski līdz Kad skenēšana ir pabeigta. pabeigts, radio atgriežas, lai atskaņotu iepriekš izvēlēto staciju vai pirmo staciju sarakstā.

Piezīme: ja nav atrasta neviena radiostacija, tiek parādīts "No DAB Station". Labākai uztveršanai pagariniet antenu vai veiciet pilnu skenēšanu citā vietā.

3. Manuāli noskaņošana - kā arī parasto skenēšanas metodi, jūs varat arī manuāli noskaņoties uz noteiktu kanālu / frekvenci. Tas var būt noderīgi, pielāgojot antenu, lai panāktu vislabāko iespējamo uztveršanu un skenētu noteiktu kanālu, lai atjauninātu staciju sarakstu. Izvēlnu sarakstā nospiediet pogu Nākamais / Iepriekšējais (3,4), lai izvēlnes sarakstā atlasītu "Manuāli noskaņošana", lai apstiprinātu, nospiediet pogu Select (7). Pēc tam nospiediet pogu Nākamais / Iepriekšējais (3,4), lai izvēlētos konkrētu kanālu / frekvenci, un pēc tam nospiediet pogu SELECT (7), lai apstiprinātu iestatījumu uz Displeja parāda saņemtā signāla stipruma tiešās norādes izvēlētajā frekvencē. Antenas pielāgojumi izpaužas parādītajā signāla stiprumā.

5. Plūme - tā noņem visas nederīgās stacijas, kas norādītas staciju sarakstā ar "?" stacijas nosaukuma priekšā. Izvēlnu sarakstā nospiediet pogu Nākamais / Iepriekšējais (3,4), lai izvēlnes sarakstā atlasītu "Prune", nospiediet pogu SELECT (7), lai apstiprinātu līdz. Tad nospiediet pogu Next / Previous (3,4), lai izvēlētos < Jā> un nospiediet pogu SELECT (7), lai apstiprinātu

6.0. Laiks - ja ir kāds DAB + radiosignāls, mašīna automātiski atjaunina laiku, signāla nav, var iestatīt arī manuāli.

\* Iestatīt laiku / datumu: iestatīt stundu / iestatīt minūti / iestatīt mēnesi / iestatīt datumu> iestatīt gadu> saglabāt  
\* Automātiskās atjaunināšanas opcijas: atjaunināšana no jebkura / atjaunināšana no DAB / atjaunināšana no FM / nav atjauninājumu  
\* Iestatiet 12/24 stundu: 12 stundas / 24 stundas  
\* Iestatiet datuma formātu: DD-MM-GGGG / MM-DD-GGGG Pārvietojieties izvēlnē Laiks, nospiežot pogu SELECT (7), atlasiet konkrēto opciju un mainiet pogu SELECT (7).

6.1. Fona apgaismojums - šim radio displejam ir fona apgaismojums, kuru var regulēt. Laiku varat atlasīt, kamēr radio nav redzams displeja apgaismojumā. Sistēmas izvēlnē nospiediet pogu Nākamais / Iepriekšējais (3,4), lai izvēlnes sarakstā atlasītu "Fona apgaismojums". Nospiediet pogu SELECT (7), lai apstiprinātu uz "Augsts", "Vidējs" vai "Zems".

6.2. Valoda - valodu, ko izmanto displeja ziņojumiem, var izvēlēties no zemāk esošajām opcijām: English | Français Sistēmas izvēlnē nospiediet pogu Nākamais / Iepriekšējais (3,4), lai izvēlnes sarakstā izvēlētos "Language". Nospiediet pogu SELECT (7), lai apstiprinātu. Pārvietojieties pa izvēlni Valoda, nospiežot pogu Nākamais / Iepriekšējais (3,4), atlasiet un apstājieties pie noteiktas valodas. Nospiediet pogu SELECT (7), lai apstiprinātu.

6.3. Rūpnīcas atiestatīšana - šī funkcija notīra visus lietotāja definētos iestatījumus, aizstājot tos ar sākotnējām noklusējuma vērtībām, tāpēc tiek zaudēti visi laika un datuma parametri, preferences / iestatījumi, DAB staciju saraksts un iepriekš iestatītās stacijas. Sistēmas izvēlnē nospiediet pogu Nākamais / Iepriekšējais (3,4), lai izvēlnes sarakstā atlasītu "Rūpnīcas iestatījumu atiestatīšana". Nospiediet pogu SELECT (7), lai apstiprinātu. Pēc tam izmantojiet pogu Nākamais / Iepriekšējais (3,4), lai izvēlētos <Jā>, un nospiediet pogu SELECT (7), lai sāktu rūpnīcas iestatījumu atiestatīšanu.

6.4. Programmatūras versija - to izmanto, lai parādītu pašreizējo programmatūras versiju.

Sistēmas izvēlnē nospiediet pogu Nākamais / Iepriekšējais, lai izvēlnes sarakstā atlasītu "Programmatūras versija". Nospiediet pogu SELECT, lai apstiprinātu. Pēc tam tiks parādīta esošā SW versija.

FM režīms - izvēlnes opciju izvēle

1. Ja DAB digitālais radio ir FM režīmā, nospiediet un turiet pogu MENU / INFO (8), lai atvērtu arī izvēlni sarakstu. Nospiediet pogu Nākamais / Iepriekšējais (3,4), lai izvēlnes sarakstā atlasītu opciju. Pēc tam apstājieties pie vēlamās opcijas un nospiediet apstiprināšanas pogu SELECT (7). Izvēlnes opcijas ir skenēšanas iestatījums, audio iestatījums, sistēma.

2. Skenēšanas iestatījums - pēc noklusējuma FM skenēšana tiek apturēta jebkurā pieejamā stacijā (Visas stacijas). Tas var izraisīt sliktas kvalitātes audio no vājam stacijām.

Opcijas: Tikai spēcīgas stacijas / Visas stacijas Izvēlnu sarakstā nospiediet pogu Nākamais / Iepriekšējais (3,4), lai "Skenēšanas iestatījumā" izvēlētos konkrētu opciju, pēc tam nospiediet pogu SELECT (7), lai apstiprinātu izmaiņas jaunajā iestatījumā.

3. Audio iestatījums - pēc noklusējuma visas stereo stacijas tiek reproducētas stereo. Vājajām stacijām tas var izraisīt sliktas kvalitātes audio. Skanās kvalitāti var uzlabot, izmantojot mono. Iespējas: Stereo atļauts | Piespiedu monoizvēlne Izvēlnu sarakstā nospiediet pogu Nākamais / Iepriekšējais (3,4), lai "Audio iestatīšana" izvēlētos konkrētu opciju, pēc tam nospiediet pogu SELECT (7), lai apstiprinātu izmaiņas jaunajā iestatījumā. Pēc 3 sekundēm tas automātiski mainīsies uz jaunu iestatījumu.

Poga PRESET

Iepriekš iestatīt 20 DAB stacijas un 20 FM iecienītās stacijas

1. Saglabājiet staciju iepriekš iestatīto sarakstā - lai saglabātu staciju, atlasiet vēlamo radiostaciju, pēc tam sekundi nospiediet un turiet taustiņu PRESET (2), līdz LCD displejā parādās "Preset store #: (Empty)" vai "#: saglabāta radiostacija".

2. Vai nu nospiediet pogu Nākamais / Iepriekšējais (3,4), lai izvēlētos vēlamo stacijas sākotnējo numuru. Nospiediet pogu SELECT (7), lai apstiprinātu izvēli, displejā parādīsies "Preset # Stored".

Atsauciat staciju no Preset saraksta

1. Lai atsauktu iepriekš iestatītu staciju, vienreiz nospiediet pogu "PRESET", vai nu pagrieziet pogu Nākamais / Iepriekšējais (3,4), lai izvēlētos iepriekš saglabāto staciju. Kad displejā tiek parādīts vēlamais iestatīto numuru skaits, nospiediet pogu SELECT (7), lai apstiprinātu.

Piezīme: Ja izvēlaties iestatījumu, kuram nav piešķirta stacija, parādīsies "Empty".

Nākamā / Iepriekšējā poga

Radiostaciju vai opciju izvēle

1. Ja DAB digitālais radio atrodas DAB režīmā, nospiediet pogu Nākamais / Iepriekšējais (3,4), lai klausoties varētu pārvietoties pa radio staciju sarakstu. Vai arī nospiediet pogu Nākamais / Iepriekšējais (3,4), lai apskatītu opciju izvēlnu sarakstu.

2. Ja DAB digitālais radio ir FM režīmā, nospiediet pogu Nākamais / Iepriekšējais (3,4), lai manuāli pielāgotu frekvenci par 0,05MHz. Vai arī jūs varat nospiegt un turēt pogu TU +/- (3,4), lai automātiski noskenētu staciju. Vai arī nospiediet pogu Nākamais / Iepriekšējais (3,4), lai skatītu opciju izvēlnu sarakstu.

VOLUME +/- poga

skājuma pielāgošana

Lai palielinātu vai samazinātu skājumu, pagrieziet skājuma pārslēgu.

## BRĪDINĀJUMU UN taimeru iestatīšana

Jūs varat iestatīt divus trauksmes signālus, kas var noskaņoties uz radio staciju vai skaņu.

Piezīme. Trauksmes signāla skaņas tikai tad, kad tie ir ieslēgti vai gaidīšanas režīmā un ir pievienoti strāvas padevei.

Trauksmes neizskan, kad izslēgts.

### Modinātāja iestatīšana

1. Lai apskatītu galveno izvēlni, 2 sekundes turiet nospiestu izvēlnes pogu (8).
2. Pagrieziet un nospiediet pogu Nākamais / Iepriekšējais (3,4), lai izvēlētos 'Sistēma' > 'Trauksme'.
3. Nospiediet pogu Atlasīt (7), lai mainītu 'Alarm 1 vednis'.
4. Nospiežot pogu Next / Previous (3,4), lai pielāgotu stundas un minūtes, nospiediet Select (7), lai apstiprinātu katru sadaļu.
5. Nospiediet pogu Atlasīt, atlasiet "Source".
6. Nospiediet pogu Nākamais / Iepriekšējais (3,4), lai izvēlētos Buzzer, 'FM' vai 'DAB', pēc tam nospiediet pogu Select (7), lai apstiprinātu.
7. Ja esat izvēlējies 'Digital Radio' vai 'FM' radio, nospiediet pogu Next / Previous (3,4), lai izvēlētos 'Preset' (2). Lai atskaņotu staciju, kuru pēdējo reizi klausījāties, pagrieziet un nospiediet izvēles ripu, lai izvēlētos 'Pēdējais klausītāis', vai pagrieziet un nospiediet pogu Nākamais / Iepriekšējais (3,4), lai radiostaciju izvēlētos no sākotnējo iestatījumu saraksta.
- Piezīme: izslaidiet šo darbību, ja iestatāt Signāla signālu.
8. Nospiediet pogu Nākamais / Iepriekšējais (3,4), lai izvēlētos "katru dienu". "Vienreiz". "Nedēļas nogalēs" vai "darba dienās". pēc tam nospiediet pogu Atlasīt (7), lai apstiprinātu.
9. Nospiediet pogu Nākamais / Iepriekšējais (3,4), atlasiet "Skaļums". Nospiediet pogu Atlasīt (7), lai apstiprinātu.
10. Pagrieziet un nospiediet Select (7), lai "Alarm" uz "On".
11. Pagrieziet un nospiediet izvēlēties (7), lai pagrieztu 'Signāls saglabāts'.

### Miega taimera iestatīšana

1. Lai apskatītu galveno izvēlni, 2 sekundes turiet nospiestu izvēlnes pogu.
  2. Pagrieziet un nospiediet pogu Nākamais / Iepriekšējais (3,4), lai izvēlētos 'Sistēma' > 'Miega režīms'.
  3. Pagrieziet un nospiediet pogu Nākamais / Iepriekšējais (3,4), lai pielāgotu miega taimera ilgumu.
- Skaņas signāla atcelšana  
Nospiediet Standby (10), lai atceltu jebkuru skaņas signālu, vai nospiediet Source, lai atceltu un atstātu radio ieslēgtu.
- Atskan skaņas signāls  
Lai atliktu skaņas signālu, nospiediet pogu Select / Snooze (7). Displejā parādīsies atpakaļskaitīšanas taimeris, lai parādītu, cik ilgi modinātājs atliks. Lai pielāgotu signāla atlikšanas laiku, nospiediet pogu Nēpārtraukta izvēle / Atlikšana (7), lai mainītu atlikšanas ilgumu ar 5 minūšu intervālu līdz 15 minūtēm un pēc tam 30 minūtēm. Lai atceltu modinātāja signālu, nospiediet gaidstāves pogu (10).

Digitālās frekvences: III josla 174–240 MHz, FM: 87,5–108 MHz

Saņemošs barošanas avots 5 V (1A) DC micro-USB (kabelis piegādāts)

Litija jonu akumulators (2000 mAh)

Ieejas 5 V DC (1A) Micro-USB strāvas kontaktligzda

Ierīce ir izstrādāta II izolācijas klasē un atbilst nepieciešamajām direktīvām:

zema sprieguma direktīva (LVD),  
elektromagnētiskā saderība (EMC),  
izstrādājums ir atzīmēts ar CE marķējumu.



Apkārtējās vides aizsardzība. Kartona iepakojumu, lūdzu, nododiet otreizējai pārstrādei. Polietilēna maisījumus (PE) izmest plastmasas izstrādājumiem paredzētajos konteineros. Lietotās elektropreces nododiet attiecīgajos pieņemšanas punktos. Ierīcē satur bīstamas sastāvdaļas, kas var izraisīt draudus apkārtējai videi. Elektroierīce jānodod tā, lai ierobežotu tās atkārtotu izmantošanu. Ja ierīcē atrodas baterijas, izņemiet tās un nododiet pienāmiņas punktu atsevišķi. Produktu neizmest sadzīves atkritumu konteinerā!

## EESTI

### ÜLDISED OHUTUSJUHISED. LUGEGE SEADME KASUTUSOHUTUST PUUDUTAVAD JUHISED TÄHELEPANELIKULT LÄBI JA HOIDKE ALLES

Kui seadet kasutatakse äärmiselt eesmärgil, muutuvad garantiitingimused.

1. Enne seadme kasutamist loe kasutusjuhend hoolikalt läbi ja järgi kõiki seal leiduvaid juhiseid. Tootja ei vastuta nende kahjustuste eest, mis tekivad seadme mitteotstarbekohase kasutamise ja ebaõige käsitsemise tagajärjel.

2. Seade on ettenähtud ainult koduseks kasutamiseks. Ära kasuta seadet mitteotstarbekohastel eesmärkidel.

3. Seade tuleb lülitada ainult 230V ~50Hz toitepesa. Selleks, et seadme kasutusohutus oleks suurem, ära lülita üheaegselt ühte vooluringi mitut elektriseadet.

4. Seadme kasutamise ajal ole eriti ettevaatlik ja tähelepanelik siis, kui läheduses viibivad lapsed. Ära luba lastel mängida seadmega, samuti ära luba lastel ega isikutel, kes ei tunne seda seadet, et nad kasutaksid seda.

5. ETTEVAATUST: 8-aastased ja vanemad lapsed, füüsilise-, sensoorse- või vaimse puudega inimesed, samuti inimesed, kelle pole piisavalt koemusi ega teadmisi seadme kasutamiseks, võivad seadet kasutada vaid nende ohutuse eest vastutava isiku järelevalve all või juhul, kui neile on antud piisavad juhtnöörid seadme ohutuks kasutamiseks ja nad on teadlikud



ohtudest, mis võivad seadme kasutamisega kaasneda. Ärge lubage lastel seadmega mängida. Ärge lubage lastel seadet puhastada ega hooldada, välja arvatud juhul, kui laps on 8-aastane või vanem ja tegutseb järelevalve all.

6. Pärast seadme kasutamist võta alati pistik pistikupesast välja, hoides sealjuures pistikupesast kinni. ARA tõmba kunagi toitejuhtmest.

7. Ara pane kaabli, pistikut ega seadet vette või mingisse muuse vedelikku. Kaitse seadet ilmastikutingimuste (vihm, päike, jne) eest ning ära kasuta kõrgendatud niiskuse tingimustes (vannitoad, niisked kämpingumajad).

8. Kontrolli aeg-ajalt toitejuhtme seisundit. Juhul kui toitejuhe on vigastatud, siis peab ta väljavahetama selleks volitatud remonditöökojas, et vältida hädaohtlikku olukorda.

9. Ara kasuta vigastatud toitejuhtmega seadet, või kui seade kukkus maha või on mingil muul viisil vigastatud või töötab ebaõigelt. Ara paranda seadet ise, sest sa võid saada elektrilöögi.

Vigastatud seade anna selleks volitatud remonditöökohta, et ta seal ära parandataks. Kõiki parandustöid võivad teostada ainult selleks volitatud remonditöökojad. Valesti teostatud seadme parandus võib tekitada tõsise oholukorra seadme kasutajale.

10. Pärast kasutamist aseta seade jahedale, kindlale ja siledale pinnale ja vaata, et lähedal poleks soojusallikaid nagu: elektripliit, gaasipliit, jms.

11. Ara kasuta seadet kergestisüttivate materjalide läheduses.

12. Toitejuhe ei või rippuda üle laua ääre või puutuda vastu kuuma pealispinda.

13. Ärge jätke sisselülitatud seadet ega laadijat pistikupesasse järelvalveta.

14. Ohutuse tagamiseks on lisameetmena soovitatav paigaldada elektrijuhtmestikule, kust vannituba toite saab, vahelduvvoolukaitse (RDC), mille nominaalne voolutugevus ei ületa 30 mA. Selles küsimuses pöörduge kvalifitseeritud elektriku poole.

15. Vältige raadio märjaksaamist.

16. Seadet võib puhastada vaid kuiva lapiga. Ärge kasutage vett ega puhastusvedelikke.

17. Kasutage regulaarselt spetsiaalseid plaate CD-mängija puhastamiseks.

18. Hoidke raadiot kuivas ruumis.

Seadme kirjeldus (Dab Radio):

1. Vedelkristallekraan 2. Eelhäälestamise nupp 3. Eelmine / Skaneerimine 4. Järgmine 5. Helitugevuse +/- nupp 6. Unerežiim 7. Valige / Snooze
8. Menüü / teave 9. DAB / FM 10. Toide sisse / välja 11. Micro-USB 12. 3,5 mm kõrvklappide pesa.

Esimene seadistamine:

1. Veenduge, et seade oleks täielikult laetud. Selleks ühendage seade mikro-USB-kaabli abil sobiva toiteallikaga.
2. Vajutage ja hoidke toitenuppu (10) 2 sekundit all.
3. Esimene kord, kui DAB-digitaalraadio
4. Kui DAB Digital Radio kasutab toiteadapterit, vajutage sisse ja ooterežiimi sisselülitamiseks POWER (10) nuppu. Digitaalraadio täielikuks väljalülitamiseks eemaldage toiteadapter.
5. Kui teie DAB digitaalraadio kasutab patareisid, hoidke nuppu POWER (10) 2 sekundit all või lülitage lüliti 'välja' sisse, käivitub see DAB-režiim. See otsib automaatselt saadaolevaid raadiojaamu.

DAB / FM nupp

Lülitumine DAB / FM režiimile

1. Kui DAB-digitaalraadio esmakordselt sisse lülitatakse, käivitub see DAB-režiim.
2. Kui seade on DAB-režiimis, vajutage korduvalt nuppu DAB / FM (9), kuni ekraanile kuvatakse FM.
3. Kui olete FM-režiimis, häälestab DAB digitaalraadio olemasoleva FM-leviala (87,50MHz) või viimase loetletud FM-jaama algust.
4. FM-sageduse käitsi muutmiseks veenduge, et te pole ühtegi teist alammenuüd valinud. Pöörake TU +/- (sageduse muutmiseks 0,05MHz).

DAB-kuva teabe muutmine

1. Kui DAB digitaalraadio on DAB-režiimis, vajutage nuppu MENU / INFO (8), et valida ekraanil kuvatav muu teave, näiteks DLS (dünaamilise sildi segment), signaali tugevus, PTY (programmi tüüp), ansambel, sagedus, signaali kvaliteet, bitikiiruse koodek, kellaaeg, kuupäev.
2. Kui DAB digitaalraadio on FM-režiimis, vajutage nuppu MENU / INFO (8), et valida ekraanil kuvatav muu teave, näiteks raadio tekst, PTY (programmi tüüp), PS (programmiteenus), stereo / mono, kellaaeg, kuupäev.

DAB-režiim - menüüvalikute valimine

1. Kui DAB digitaalraadio on DAB-režiimis, vajutage ja hoidke nuppu MENU / INFO (8) menüüloendis sisenemiseks. Menüüloendist suvandi valimiseks vajutage nuppu Edasi / Eelmine (3,4). Seejärel peatuge eelistatud valiku juures ja kinnitamiseks vajutage nuppu SELECT (7). Menüüvalikud on täielik skannimine, käitsi häälestamine, DRC, pügamine, süsteem.

2. Täisskannimine - vajutage menüüloendis nuppu Järgmine / Eelmine (3,4), et valida menüüloendi kaudu "Täisskannimine", kinnitamiseks vajutage nuppu SELECT (7) ja täielik skannimine algab automaatselt väärtusele Kui skannimine on tehtud Kui raadioosaatja on valmis, naaseb raadio eelvalitud jaama või esimese jaama loendisse.

Märkus. Kui ühtegi raadiojaama ei leitud, kuvatakse teade „No DAB Station”. Parema vastuvõtu tagamiseks pikendage antenni või tehke täielik skannimine teises kohas uuesti.

3. Kätsi häälestamine - nagu ka tavalise skannimismeetodi korral, saate ka konkreetsele kanalile / sagedusele kätsi häälestada. See võib olla kasulik antenni kohandamisel, et saavutada võimalikult hea vastuvõtt ja skaneerida konkreetset kanalit jaamade loendi värskendamiseks. Vajutage menüüloendis nuppu Edasi / Eelmine (3,4), et valida menüüloendist kätsi häälestamine, kinnitamiseks vajutage nuppu (7). Seejärel vajutage konkreetse kanalil / sageduse valimiseks nuppu Edasi / Eelmine (3,4) ja seejärel vajutage nuppu SELECT (7), et kinnitada seade ekraanile. Ekraanil kuvatakse valitud sageduse vastuvõetud signaali tugevus reaajas. Teie antenni kohandused avalduvad kuvatava signaali tugevusena.

5. Ploom - see eemaldab kõik jaamade loendis märgitud kehtetud jaamad tähega? jaama nime ees. Vajutage menüüloendis nuppu Eelmine / Eelmine (3,4), et valida menüüloendist „Prune”, kinnitamiseks vajutage nuppu SELECT (7). Seejärel vajutage nuppu Järgmine / Eelmine (3,4), et valida < Jah> ja kinnitamiseks vajutage nuppu SELECT (7)

6,0. Aeg - kui on mõni DAB + raadiosignaali, värskendab masin aega automaatselt, signaali pole, saab seadistada ka kätsi.

\* Seadke kellaaeg / kuupäev: määrake tund / seadke minut / määrake kuu / määratud kuupäev> seatud aasta> salvestatud

\* Automaatvärskenduse valikud: värskendamine suvaliselt / värskendus DAB-ist / värskendus Fmilt / värskendust pole

\* Määrä 12/24 tund: 12 tundi / 24 tundi

\* Kuupäeva vormingu seadmine: PP-KK-AAAA / KK-PP-AAAAA Menüü Aja kaudu liikumiseks vajutage nuppu SELECT (7), valige konkreetne suvand ja vajutage nuppu SELECT (7).

6.1. Taustvalgus - sellel raadioekraanil on reguleeritav taustvalgus. Aega saate valida raadio taustvalgustuse ajal. Süsteemi menüüs vajutage nuppu Eelmine / Eelmine (3,4), et valida menüüloendist „Taustvalgus”. Vajutage nuppu SELECT (7), et kinnitada „Kõrge”, „Keskmine” või „Madal”.

6.2. Keel - kuvateadetes kasutatavat keelt saab valida järgmistest valikutest: inglise keel | Français Vajutage süsteemimenüü all nuppu Järgmine / Eelmine (3,4), et menüüloendist valida keel, vajutage kinnitamiseks nuppu SELECT (7). Liikuge läbi keelemenüü, vajutades nuppu Järgmine / Eelmine (3,4), valige ja peatuge kindla keele juures, kinnitamiseks vajutage nuppu SELECT (7).

6.3. Tehase lähtestamine - see funktsioon kustutab kõik kasutaja määratud sätteid, asendades need algsete vaikeväärtustega, nii et aeg / kuupäev, eelistused / sätteid, DAB jaamade loend ja eelseadatud jaamad lähevad kaduma. Süsteemi menüüs vajutage nuppu Eelmine / Eelmine (3,4), et valida menüüloendist „Tehase lähtestamine”, kinnitamiseks vajutage nuppu SELECT (7). Seejärel kasutage nuppu Järgmine / Eelmine (3,4), et valida <Jah> ja vajutage tehase lähtestamise alustamiseks nuppu SELECT (7).

6.4. Tarkvara versioon - seda kasutatakse praeguse tarkvara versiooni kuvamiseks.

Süsteemi menüü all vajutage nuppu Next / Previous, et valida menüüloendist “Software version”. Vajutage kinnitamiseks nuppu SELECT. Seejärel kuvatakse olemasolev SW-versioon.

FM-režiim - menüüvalikute valimine

1. Kui DAB digitaalaradio on FM-režiimis, vajutage ja hoidke nuppu MENU / INFO (8) ka menüüloendisse sisenemiseks. Vajutage nuppu Next / Previous (3,4), et valida menüüloendist suvand. Seejärel peatuge eelistatud valiku juures ja kinnitamiseks vajutage nuppu SELECT (7). Menüüvalikud on skannimisseaded, helisätteid, süsteem.

2. Skaneerimise säte - vaikimisi peatub FM-skaneerimine suvalises jaamas (Kõik jaamad). See võib nõrkade jaamade halva kvaliteediga heli põhjustada.

Valikud: Ainult tugevad jaamad / Kõik jaamad Vajutage menüüloendis nuppu „Eelmine / Eelmine” (3,4), et valida „Skaneerimise sätetes” konkreetne suvand, seejärel vajutage uue sätte muutmise kinnitamiseks nuppu SELECT (7).

3. Heliseade - vaikimisi reprodutseeritakse kõik stereo jaamad stereo kujul. Nõrkade jaamade puhul võib see põhjustada halva kvaliteediga heli. Helikvaliteeti saab mono abil parandada. Valikud: stereo on lubatud Sunniviisiline mono Vajutage menüüloendis nuppu Eelmine / Eelmine (3,4), et valida heli sätetes konkreetne suvand, seejärel vajutage uue sätte muutmise kinnitamiseks nuppu SELECT (7). 3 sekundi pärast muutub see automaatselt uueks sätteks.

Nupp PRESET

Eelhäälestage 20 DAB-jaama ja 20 FM-jaama

1. Salvestage jaam eelseadete loendisse - jaama salvestamiseks valige valitud raadiojaam, seejärel vajutage ja hoidke sekundit nuppu PRESET (2), kuni LCD-ekraanil kuvatakse “Preset store #: (Empty)” või #: salvestatud raadiojaam”.

2. Vajutage nuppu Eelmine / Eelmine (3,4) soovitud jaama eelseade numbril valimiseks. Vajutage valiku kinnitamiseks nuppu SELECT (7), ekraanil kuvatakse “Preset # Stored”.

Taastage jaam eelseadete loendist

1. Eelhäälestatud jaama tagasikutsumiseks vajutage üks kord nuppu „PRESET” või keerake nuppu Eelmine / Eelmine (3,4), et valida salvestatud jaamad. Kui ekraanil kuvatakse soovitud eelseadistatud number, vajutage kinnitamiseks nuppu SELECT (7).

Märkus. Kui valite eelseade, millele pole jaama määratud, kuvatakse teade „Tühi”.

Järgmine / eelmine nupp

Raadiojaamade või valikute valimine

1. Kui DAB digitaalaradio on DAB-režiimis, vajutage kuulatava raadiojaamade loendi sirvimiseks nuppu Edasi / Eelmine (3,4). Või vajutage menüüloendist valikute vaatamiseks nuppu Edasi / Eelmine (3,4).

2. Kui DAB digitaalaradio on FM-režiimis, vajutage sageduse kätsi reguleerimiseks 0,05MHz nuppu Järgmine / Eelmine (3,4) nuppu. Või võite jaama automaatselt skannimiseks vajutada ja hoida nuppu TU +/- (3,4). Või vajutage menüüloendist valikute vaatamiseks nuppu Edasi / Eelmine (3,4).

Nupp VOLUME +/-

helitugevuse reguleerimine

Helitugevuse suurendamiseks või vähendamiseks pöörake helitugevuse valimisnuppu.

## HÄLYTUSTE JA AJASTIKUTE SEADISTAMINE

Saate seada kaks äratust, mis võivad häälestuda raadiojaamale või helisignaali.

Märkus. Alarmid kostuvad ainult siis, kui need on sisse lülitatud või ooterežiimis ja ühendatud toiteallikaga.

Välja lülitatud alarmid ei kostu.

Aratuse seadmine

1. Peamenüü kuvamiseks hoidke 2 sekundit all nuppu Menüünupp (8).
2. Pöörake ja vajutage nuppu Next / Previous (3,4), et valida 'System' > 'alarm'.
3. Vajutage nuppu Vali (7), et muuta 'Alarmi 1' viisard
4. Vajutades nuppu Järgmine / Eelmine (3,4), et reguleerida tundide ja minutite arvu, vajutage iga jaotise kinnitamiseks nuppu Vali (7).
5. Vajutage nuppu Vali, valige 'Source'.
6. Vajutage nuppu Next / Previous (3,4), et valida Buzzer ' ', FM 'või' DAB ' , seejärel vajutage kinnitamiseks nuppu Select (7).
7. Kui olete valinud raadio 'Digital Radio' või 'FM', vajutage nuppu Next / Previous (3,4), et valida 'Preset' (2). Viimati kuulatud jaama mängimiseks keerake ja vajutage valimisnuppu, et valida 'Viimati kuulatud', või keerake ja vajutage nuppu Eelmine / Eelmine (3,4), et valida raadiojaam eelseadete loendist.
- Märkus. Kui seadistate helisignaali, jätke see samm vahele.
8. Vajutage nuppu Eelmine / Eelmine (3,4), et valida "Iga päev". "Üks kord". "Nädalavahetused" või "Nädalapäevad". seejärel vajutage kinnitamiseks nuppu Vali (7).
9. Vajutage nuppu Next / Previous (3,4) ja valige 'Volume'. Kinnitamiseks vajutage nuppu Vali (7).
10. Pöörake ja vajutage Vali (7), et muuta Alarm olekuks Sees.
11. Pöörake ja vajutage Vali (7), et lülitada välja Alarmi salvestatud.

Unetaimeri seadistamine

1. Peamenüü kuvamiseks hoidke 2 sekundit all nuppu Menüü.
2. Pöörake ja vajutage nuppu Next / Previous (3,4), et valida 'System' > 'Sleep'.
3. Unetaimeri pikkuse reguleerimiseks keerake ja vajutage nuppu Edasi / Eelmine (3,4).

Heliseva äratuse tühistamine

Kõigi helisignaalide tühistamiseks vajutage ooterežiimi (10) või tühistamiseks ja raadio sisselülitamiseks vajutage Source.

Heliseva äratuse edasilükkamine

Heliseva äratuse edasilükkamiseks vajutage nuppu Vali / Kordus (7). Ekraanil kuvatakse taimer, mis näitab, kui kaua äratust edasi lükatakse. Äratuse edasilükkamise aja reguleerimiseks vajutage nuppu Pidev valimine / Kordus (7), et muuta edasilükkamise kestust 5-minutistele intervallidega kuni 15 minutini ja seejärel 30 minutini. Signaali edasilükkamise tühistamiseks vajutage ooterežiimi (10) nuppu.

Digitaalsed sagedused: riba III 174–240 MHz, FM: 87,5–108 MHz  
Vastuvõetav toiteallikas 5 V (1A) DC mikro-USB (kaabel komplektis)  
Liitium-ioon laetav aku (2000 mAh)  
Sisenditeks 5 V DC (1A) Micro-USB pistikupesa

Seade on valmistatud II ohutusklassis ja ei vaja maandamist.

Seade on vastavuses direktiivide nõudmistega:

Madalpinge elektriseade (LVD)

Elektromagneetiline ühilduvus (EMC)

Toode on märgistatud andmeplaadil CE märgiga



Hoolitse keskkonnakaitse eest. Kartongist pakendid vii makulatuuri. Kilekotid (PE) viska kasutatud plastiku jaoks ettenähtud mahutitesse. Kasutatud seadmed vii selleks ettenähtud kogumispunktidesse, sest seadmes leiduvad ohtlikud elemendid võivad olla kahjulikud keskkonnale. Elektriseadmed tuleb anda nii ära, et seadet ei saaks enam uuesti kasutada. Kui seadmes on patareid, tuleb need välja võtta ja anda eraldi kogumispunkti. Seadet ei tohi visata olmejäätmete konteineritesse!

## ROMÂNĂ

### INSTRUCȚIUNI IMPORTANTE CU PRIVIRE LA SIGURANȚA DE UTILIZARE CITIȚI CU ATENȚIE ȘI PĂSTRAȚI PENTRU VIITOR

1. Înainte de a începe utilizarea dispozitivului citiți manualul de instrucțiuni și urmați instrucțiunile conținute de acesta. Producătorul nu este responsabil pentru daunele cauzate de utilizarea dispozitivului care nu este în conformitate cu destinația sau deservirea incorectă a acestuia.
2. Dispozitivul este destinat numai pentru uz casnic. Nu folosiți acest dispozitiv în alte scopuri decât cele pentru care este destinat. Dispozitivul este destinat numai pentru uz casnic. Nu folosiți acest dispozitiv în alte scopuri decât cele pentru care este destinat.
3. "Dispozitivul trebuie conectat numai la o priză cu legătură la pământ 230 V ~ 50 Hz. În vederea mării siguranței beneficiarului la un singur circuit, nu trebui conectate în același timp mai multe aparate electrice."
4. Trebuie să fiți foarte precauți în cazul folosirii dispozitivului în cazul în care în apropierea acestuia se află copii. Nu permiteți copiilor să se joace cu dispozitivul și nu permiteți folosirea acestuia de către copii și persoanele care nu cunosc dispozitivul.
5. AVERTIZARE: Acest dispozitiv poate fi utilizat de copii care au vârsta de peste 8 ani și mai mari, de către persoane cu capacități fizice, senzoriale și mentale limitate și de către

persoane fără experiență și care nu cunosc dispozitivul, atunci când acestea sunt supravegheate sau au fost instruite cu privire la utilizarea dispozitivului în siguranță și cunosc pericolele care reies din utilizarea acestui dispozitiv. Copii nu ar trebui să se joace cu echipamentul. Curățarea și conservarea dispozitivului nu trebuie realizată de copii, în afara cazului în care aceștia au depășit vârsta de 8 ani și aceste activități sunt realizate sub supravegherea unei persoane adulte.

6. Întotdeauna după ce dispozitivul nu mai este folosit scoateți ștecherul din priza de alimentare cu curent electric și țineți priza cu mâna. NU trageți de cablul de alimentare.

7. Nu scufundați cablul, ștecherul și nici întregul dispozitiv în apă sau alt lichid. Nu expuneți echipamentul la acțiunile condițiilor atmosferice (ploaie, raze solare, etc.) și nici nu îl folosiți în condiții de umiditate ridicată (baie, bungalouri cu umezeală).

8. Periodic trebuie să verificați starea cablului de alimentare. În cazul în care cablul de alimentare este deteriorat, acesta trebuie înlocuit cu unul nou de către un atelier de specialitate în scopul de a evita orice pericol.

9. Nu folosiți dispozitivul care are defect cablul de alimentare sau în cazul în care acesta a fost scăpat din mână sau este defect în orice alt mod sau în cazul în care nu funcționează corect. Nu reparați singuri dispozitivul deoarece acest lucru poate conduce la electrocutare. Dispozitivul defect trebuie să îl transmiteți către un service pentru ca acesta să fie verificat și în caz de nevoie reparat. Toate reparațiile pot fi efectuate numai de către punctele de service care posedă autorizație. Reparația care nu este realizată incorect poate cauza pericol grav pentru beneficiar.

10. Dispozitivul trebuie amplasat pe o suprafață stabilă, netedă, departe de dispozitivele de încălzire care redau căldură, așa cum ar fi: aragazul electric și cel pe gaz etc.

11. Nu folosiți dispozitivul în apropierea materialelor combustibile.

12. Cablul de alimentare nu poate să atârne peste marginea mesei sau să atingă suprafețele fierbinți.

13. Nu se permite lăsarea dispozitivului pornit și nici a alimentatorului în priză fără supraveghere.

14. Pentru a asigura o protecție suplimentară, se recomandă instalarea pe circuitul electric a unui dispozitiv cu curent diferențial (RCD) cu curent alternativ diferențial care nu va depăși 30 mA. În acest sens trebuie să vă adresați unui electrician specialist.

15. Nu lăsați radioul să fie udat.

16. Radioul poate fi șters numai cu o cârpă uscată. Nu folosiți apă și nici alte lichide pentru curățare.

17. Regular trebuie să folosiți discurile speciale pentru curățarea aparatului de redare CD.

18. Radioul trebuie păstrat în încăperi uscate.

Descrierea dispozitivului (Dab Radio):

1. Ecran LCD 2. Buton presetat 3. Anterior / Scanare 4. Următorul 5. Volumul +/- Butonul 6. Repaus 8. Meniu / Informații 9. DAB / FM 10. Pornit / Oprit 11. Micro-USB 12. Jack pentru căști de 3.5mm.

Prima configurare:

1. Asigurați-vă că dispozitivul este complet încărcat. Pentru a face acest lucru, conectați dispozitivul prin cablul Micro USB la o sursă de alimentare adecvată.

2. Apăsați și mențineți apăsat butonul de pornire (10) timp de 2 secunde.

3. Prima dată radio digital DAB

4. Când DAB Digital Radio utilizează adaptorul de alimentare, apăsați butonul POWER (10) pentru a porni „pornit” și „standby”. Deconectați adaptorul de alimentare pentru a opri complet radioul digital.

5. Când DAB Digital Radio utilizează baterii, Apăsați și mențineți apăsat butonul POWER (10) timp de 2 secunde sau opriți comutatorul „off”, acesta va porni modul DAB. Acesta va scana automat posturile de radio disponibile.

Buton DAB / FM

Trecerea la modul DAB / FM

1. Prima dată când comutarea DAB Digital Radio va porni modul DAB.

2. Dacă dispozitivul se află în modul DAB, apăsați în mod repetat butonul DAB / FM (9) până când este afișat FM pe ecran.

3. Odată aflat în modul FM, radioul digital DAB va acorda începutul intervalului FM disponibil (87.50MHz) sau ultimul post FM listat.

4. Pentru a schimba manual frecvența FM, asigurați-vă că nu ați selectat niciun alt submeniu. Rotiți TU +/- (pentru a schimba frecvența cu 0,05MHz).

## Modificarea informațiilor afișate DAB

1. Dacă DAB Digital Radio se află în modul DAB, apăsați butonul MENU / INFO (8) pentru a selecta diferite informații pe afișaj, cum ar fi DLS (Dynamic Label Segment), puterea semnalului, PTY (Program Program), ansamblu, frecvența, calitatea semnalului, codicul ratei de biți, ora, data.
2. Dacă DAB Digital Radio este în modul FM, apăsați butonul MENU / INFO (8) pentru a selecta diferite informații care vor fi afișate pe ecran, cum ar fi text radio, PTY (Program Type), PS (Service Program), stereo / mono, ora, data.

## Modul DAB - alegerea opțiunilor meniului

1. Dacă DAB Digital Radio este în modul DAB, apăsați și mențineți apăsat butonul MENU / INFO (8) pentru a intra în lista de meniuri pentru a Apăsa butonul Următorul / Anterior (3,4) pentru a selecta opțiunea din lista de meniu. Apoi, opriți-vă la opțiunea preferată și apăsați butonul SELECT (7) pentru a confirma. Opțiunile meniului sunt scanare completă, reglare manuală, DRC, prune, sistem.

2. Scanare completă - sub lista de meniuri, apăsați butonul Următor / Anterior (3,4) pentru a selecta „Scanare completă” prin lista de meniuri, Apăsați butonul SELECT (7) pentru a confirma și scanarea completă începe automat după ce o scanare este finalizat, radioul revine la redarea postului selectat anterior sau a primei stații din lista posturilor.

Notă: dacă nu a fost găsită o stație de radio, apare „Fără stație DAB”. Pentru o mai bună recepție, extindeți antena sau faceți din nou scanarea completă în alt loc.

3. Reglare manuală - precum și metoda normală de scanare, puteți, de asemenea, să reglați manual un anumit canal / frecvență. Acest lucru poate fi util pentru reglarea antenei dvs. pentru a obține cea mai bună recepție posibilă și pentru a scana un anumit canal pentru a actualiza lista posturilor. Sub lista de meniuri, apăsați butonul Următorul / Anterior (3,4) pentru a selecta „Reglare manuală” prin lista de meniu, butonul Apăsați Selectare (7) pentru confirmare. Apoi apăsați butonul Următor / Anterior (3,4) pentru a selecta un anumit canal / frecvență și apoi Apăsați butonul SELECT (7) pentru a confirma setarea pe Ecranul arată o indicație în direct a puterii semnalului primit pe frecvența selectată. Ajustările la antena dvs. se vor manifesta în puterea semnalului primit.

5. Prune - aceasta elimină toate stațiile nevalide indicate în lista de posturi cu un „?” în fața numelui stației. Sub lista de meniuri, apăsați butonul Următor / Anterior (3,4) pentru a selecta „Prune” prin lista de meniu, Apăsați butonul SELECT (7) pentru a confirma apoi Apoi apăsați butonul Următor / Anterior (3,4) pentru a selecta < Da> și apăsați butonul SELECT (7) pentru a confirma

- 6.0. Ora - dacă există semnal radio DAB +, aparatul va actualiza automat ora, nu există semnal, poate fi setat și manual.

\* Setati data / data: setati ora / setează minutul / setează luna / data setată> anul stabilit> salvat

\* Opțiuni de actualizare automată: actualizare de la Orice / actualizare de la DAB / actualizare de la FM / fără actualizare

\* Set 12/24 ore: 12 ore / 24 ore

\* Setati formatul datei: DD-MM-AAAA / MM-DD-AAAA Apăsați meniul Time by Apăsați butonul SELECT (7), selectați o anumită opțiune și apăsați butonul SELECT (7).

- 6.1. Iluminare de fundal - acest ecran radio are un fundal care poate fi reglabil. Puteți selecta timpul de închidere a iluminării de fundal a afișajului radio. În meniul sistemului, apăsați butonul Următorul / Anterior (3,4) pentru a selecta „Lumina de fundal” prin lista de meniu, Apăsați butonul SELECT (7) pentru a confirma „Inalt”, „Mediu” sau „Scăzut”.

- 6.2. Limba - Limba folosită pentru afișarea mesajelor poate fi selectată din opțiunile de mai jos: engleză | Français În meniul sistemului, apăsați butonul Următorul / Anterior (3,4) pentru a selecta „Limba” în lista de meniu, Apăsați butonul SELECT (7) pentru a confirma. Parcurgeți meniul Limbă apăsând butonul Următorul / Anterior (3,4), selectați și opriți-vă la o anumită limbă, Apăsați butonul SELECT (7) pentru a confirma.

- 6.3. Resetare din fabrică - Această funcție șterge toate setările definite de utilizator, înlocuindu-le cu valorile implicite inițiale, astfel încât ora / data, preferințele / setările, lista stațiilor DAB și stațiile prestabilite se pierd. În meniul sistemului, apăsați butonul Următorul / Anterior (3,4) pentru a selecta „Resetare din fabrică” prin lista de meniuri, Apăsați butonul SELECT (7) pentru a confirma. Apoi, utilizați butonul Următor / Anterior (3,4) pentru a alege <Da> și Apăsați butonul SELECT (7) pentru a porni resetarea din fabrică.

- 6.4. Versiunea software - aceasta este utilizată pentru a afișa versiunea actuală de software.

În meniul sistemului, apăsați butonul Următorul / Anterior pentru a selecta „Versiunea software” din lista de meniu, Apăsați butonul SELECT pentru a confirma. Apoi, va fi afișată versiunea SW existentă.

## Mod FM - alegerea opțiunilor meniului

1. Dacă DAB Digital Radio este în modul FM, apăsați și mențineți apăsat butonul MENU / INFO (8) pentru a intra și în lista de meniuri. Apăsați butonul Următor / Anterior (3,4) pentru a selecta opțiunea din lista de meniu. Apoi, opriți-vă la opțiunea preferată și apăsați butonul SELECT (7) pentru a confirma. Opțiunile meniului sunt setarea scanării, setarea audio, sistemul.

2. Setarea scanării - în mod implicit, scanările FM se opresc la orice stație disponibilă (Toate stațiile). Acest lucru poate duce la un sunet de calitate slabă de la stațiile slabe.

Opțiuni: Doar stații puternice / Toate posturile În lista de meniu, apăsați butonul Următor / Anterior (3,4) pentru a selecta o anumită opțiune în „Setare scanare”, apoi Apăsați butonul SELECT (7) pentru a confirma modificarea la noua setare .

3. Setarea audio - în mod implicit, toate stațiile stereo sunt reproduse în stereo. Pentru stațiile slabe, acest lucru poate duce la o calitate audio slabă. Calitatea audio poate fi îmbunătățită folosind mono. Opțiuni: Stereo permis | Mono forțat În lista de meniu, apăsați butonul Următorul / Anterior (3,4) pentru a selecta o anumită opțiune în „Setare audio”, apoi Apăsați butonul SELECT (7) pentru a confirma modificarea la noua setare. Se va schimba automat la o nouă setare după 3 secunde.

## Buton PRESET

Presetează 20 de stații DAB și 20 de posturi favorite FM

1. Stocați o stație în lista presetată - pentru a stoca o stație, ați selectat postul de radio dorit, apoi apăsați și țineți apăsat butonul PRESET (2) pentru o secundă până când pe ecranul LCD „Stoc presetare.: gol” sau „#: post de radio salvat”.

2. Apăsați butonul Următor / Anterior (3,4) pentru a selecta numărul de presetare al postului dorit, Apăsați butonul SELECT (7) pentru a confirma selecția dvs., pe afișaj va apărea „Presetare # Stocată”.

Reamintiți o stație din lista Presetare

1. Pentru a reaminti o stație prestabilită, apăsați o dată butonul „PRESET”, fie rotiți butonul Next / Previous (3,4) pentru a selecta postul presetat pe care l-ați memorat. Când afișajul afișează numărul dorit, apăsați butonul SELECT (7) pentru a confirma.

Notă: Dacă alegeți o presetare care nu a fost alocată unei stații, atunci va fi afișat „Gol”.

Butonul Next / Previous

Alegerea stațiilor sau a opțiunilor de radio

1. Dacă DAB Digital Radio este în modul DAB, apăsați butonul Next / Previous (3,4) pentru a parcurge lista posturilor radio când ascultați. Sau apăsați butonul Următor / Anterior (3,4) pentru a parcurge lista de meniu pentru opțiuni.

2. Dacă DAB Digital Radio este în modul FM, apăsați butonul Next / Previous (3,4) pentru a regla manual frecvența cu 0,05MHz. Sau puteți să apăsați și să țineți apăsat butonul TU +/- (3,4) pentru stația de scanare automată. Sau apăsați butonul Următor / Anterior (3,4) pentru a parcurge lista de meniu pentru opțiuni.

Buton VOLUME +/-

reglarea volumului

Rotiți cadranelor volumului pentru a crește sau a reduce volumul.

## SETAREA ALARMELOR ȘI TAMPURILOR

Puteți seta două alarme, care pot fi acordate la o stație radio sau la un sunet.

Notă: Alarmerile sună numai atunci când este pornit sau în modul de așteptare și conectat la o sursă de alimentare.

Alarmerile nu sună când este oprit.

Setarea unei alarme

1. Apăsați apăsat butonul Meniu (8) timp de 2 secunde pentru a vizualiza meniul principal.

2. Rotiți și apăsați butonul Următor / Anterior (3,4) pentru a selecta „Sistem” > „alarmă”.

3. Apăsați butonul Select (7) pentru a schimba „Expertul de alarmă 1”

4. Apăsați butonul Următorul / Anterior (3,4) pentru a regla orele și minutele, apăsați Selectați (7) pentru a confirma fiecare secțiune.

5. Apăsați butonul Selectare, selectați „Sursa”.

6. Apăsați butonul Next / Previous (3,4) pentru a selecta Buzzer ' ', FM 'sau' DAB ', apoi apăsați butonul Select (7) pentru a confirma.

7. Dacă ați ales radioul „Radio digital” sau „FM”, apăsați butonul Următorul / Înainte (3,4) pentru a selecta „Presetare” (2). Pentru a reda postul pe care l-ați ascultat ultima dată, rotiți și apăsați selectorul Select pentru a selecta „Ultima ascultare” sau rotiți și apăsați butonul Următor / Anterior (3,4) pentru a alege o stație radio din lista presetată.

Notă: Săriți acest pas dacă setați o alarmă de sunet.

8. Apăsați butonul Next / Previous (3,4) pentru a selecta 'Daily'. 'Once'. 'Weekends'or' weekdays '. apoi apăsați butonul Selectați (7) pentru a confirma.

9. Apăsați butonul Următorul / Anterior (3,4), selectați „Volum”. Apăsați butonul Select (7) pentru a confirma.

10. Rotiți și apăsați Selectați (7) pentru a porni „Alarma” la „Pornit”.

11. Rotiți și apăsați Selectați (7) pentru a activa „Alarma salvată”.

Setarea cronometrului de somn

1. Apăsați apăsat butonul Meniu timp de 2 secunde pentru a vizualiza meniul principal.

2. Rotiți și apăsați butonul Următor / Anterior (3,4) pentru a selecta „Sistem” > „Apaus”.

3. Rotiți și apăsați butonul Următor / Anterior (3,4) pentru a regla lungimea cronometrului.

Anularea unei alarme sonore

Apăsați Standby (10) pentru a anula orice alarmă sonoră sau apăsați Source pentru a anula și a lăsa radioul pornit.

Sunând o alarmă sonoră

Pentru a amâna o alarmă care sună, apăsați butonul Selectare / Amânare (7). Afișajul va afișa un contor de contorizare pentru a arăta cât timp se va amâna alarma. Pentru a regla perioada de timp în care va fi amânată alarma, apăsați butonul Selectare continuă / Amânare (7) pentru a schimba durata amânării la intervale de 5 minute până la 15 minute și apoi 30 minute. Pentru a anula o alarmă sonoră, apăsați butonul Standby (10).

Frecvențe digitale: Band III 174-240 MHz, FM: 87.5-108 MHz

Recepție de alimentare 5V (1A) DC micro-USB (cablu furnizat)

Baterie reincărcabilă cu ioni de litiu (2000 mAh)

Intrări 5V DC (1A) priză micro-USB

Dispozitivul este fabricat în clasa II de izolare..

Dispozitivul este în conformitate cu cerințele directivelor:

Dispozitiv electric de joasă tensiune (LVD)

Compatibilitate electromagnetice (EMC)

Produs marcat cu simbolul CE pe plăcuța de fabricație



Din grija pentru mediul înconjurător. Ambalajele din carton va rugăm să le transmiteți la centrele de maculatură. Sacii din polietilenă (PE) trebuie aruncați în recipientele pentru materialele plastice. Dispozitivul uzat trebuie transmis la punctul corespunzător de depozitare, deoarece componentele periculoase care se găsesc în dispozitiv pot fi foarte periculoase pentru mediul înconjurător. Dispozitivul electric trebuie transmis în așa fel încât să se limiteze utilizarea lui repetată. Dacă în dispozitiv se găsesc baterii acestea trebuie scos și transmise către punctul de depozitare a acestora, separat.

## BOSANSKI

**OPŠTI USLOVI BEZBJEDNOSTI. VAŽNE UPUTE KOJE SE TIČU BEZBJEDNOSTI UPOTREBE. PROCITAJTE IH PAŽLJIVO I SAČUTOVAJTE KAKO BISTE IH KONSULTOVALI U BUDUĆNOSTI**

1. Prije početka eksploatacije aparata treba pročitati uputstvo za upotrebu i postupati prema njegovim uputama. Proizvođač ne snosi odgovornost za štete koje su nastale uslijed nenamjenske upotrebe ili neodgovarajućeg rukovanja.

2. Aparat je namjenjen isključivo za kućnu upotrebu. Ne smije se koristiti u druge svrhe – koje nisu u skladu s njegovom namjenom.

3. Aparat treba priključiti isključivo u utičnicu sa uzemljenjem 230 V ~ 50Hz



U cilju povećanja bezbjednosti eksploatacije, u jedno strujno kolo se ne može istovremeno priključiti više električnih uređaja.

4. Treba obraćati posebnu pažnju tokom korištenja aparata, kad se u blizini nalaze djeca. Nemojte dopustiti djeci da se igraju aparatom. Nemojte dozvoljavati djeci niti osobama koje nisu upoznate sa aparatom da ga koriste.

5. **UPOZORENJE:** Ovaj uređaj mogu da koriste djeca starija od 8 godina i osobe sa ograničenim fizičkim, osjetilnim i mentalnim sposobnostima ili osobe neiskusne te neupoznate sa uređajem, ako se upotreba vrši pod nadzorom osobe odgovorne za njihovu bezbjednost ili ako su ove osobe dobile upute vezane za bezbjednu upotrebu uređaja i svjesne su opasnosti vezanih za upotrebu uređaja. Djeca se ne smiju igrati sa uređajem. Čišćenje i konzervacija uređaja ne smije se vršiti od strane djece, sem ako su starija od 8 godina i vrše ove radnje pod nadzorom odrasle osobe

6. Uvijek nakon upotrebe, izvadite utikač iz utičnice za napajanje, pridržavajući utičnicu rukom. **NEMOJTE** vući mrežni kabel.

7. Ne potapati kabel, utikač ili sav aparat u vodu ili bilo koju drugu tečnost. Ne izlagati djetstvu atmosferskih prilika (kiša, sunce i dr.) i ne koristiti u uslovima povišene vlažnosti (kupačila, „vlažne“ vikendice).

8. Periodično provjeravajte stanje kabela za napajanje. Ako je kabel za napajanje oštećen, treba biti promjenjen od strane specijalizovanog servisa sa ciljem sprječavanja opasnosti.

9. Nemojte koristiti aparat: kad je oštećen kabel za napajanje, nakon pada na tlo, kad je na bilo koji način oštećen, kad nepravilno radi. Nemojte samostalno popravljati aparat zbog opasnosti od udara struje. Oštećen aparat predajte odgovarajućem servisu da izvrši proveru ili popravak. Sve popravke mogu vršiti isključivo ovlašteni servisi. Nepravilno izveden popravak može prouzročiti ozbiljnu opasnost za korisnika.

10. Aparat treba staviti na hladnu, stabilnu, ravnu površinu, daleko od zagrijanih kuhinjskih uređaja kao što su: štednjak, plinski plamenik i dr.

11. Nemojte koristiti aparat u blizini lako zapaljivih materijala.

12. Kabel za napajanje ne može visjeti preko ruba stola niti dodirivati vruće površine.

13. Aparat ili uređaj za napajanje ne smiju da budu priključeni na utičnicu bez nadzora.

14. Da se obezbijedi dodatna zaštita preporučujemo da u električnom krugu instalirate zaštitni uređaj diferencijalne struje (RCD) sa nominalnom diferencijalnom strujom, koja nije veća od 30 mA. U vezi sa tim treba se obratiti električaru-stručnjaku.

15. Nemojte dozvoliti da se radio smoči.

16. Smije se brisati samo suhom krpicom. Nemojte koristiti vodu niti sredstva za čišćenje.

17. Treba redovno koristiti specijalne diskove za čišćenje CD plejera.

18. Radio treba da bude u suhoj prostoriji.

Opis uređaja (Dab Radio):

1. LCD zaslon 2. Gumb za prethodno podešavanje 3. Prethodno / Skeniranje 4. Sljedeće 5. Tipka glasnoće +/- 6. Sleep 7. Odaberite / Odgodi

8. Izbornik / Informacije 9. DAB / FM 10. Uključivanje / Isključivanje napajanja 11. Micro-USB 12. Priključak za slušalice 3,5 mm.

Prvo postavljanje:

1. Provjerite je li uređaj potpuno napunjen. Za to spojite uređaj mikro USB kablom na odgovarajući izvor napajanja.

2. Pritisnite i držite gumb za napajanje (10) 2 sekunde.

3. Prvi put DAB Digital Radio

4. Kad vaš DAB Digital Radio koristi adapter za napajanje, pritisnite tipku POWER (10) za uključivanje "uključeno" i "pripravno". Odspojite mrežni adapter da biste u potpunosti isključili svoj Digital Radio.

5. Kada vaš DAB digitalni radio koristi baterije, pritisnite i držite tipku POWER (10) dvije sekunde ili isključite prekidač 'off', pokrenut će se DAB način rada. Automatski će tražiti dostupne radio stanice.

DAB / FM tipka

Prelazak na način DAB / FM

1. Prvi put kad se uključuje DAB Digital Radio, pokrenut će DAB način rada.

2. Ako je uređaj u načinu rada DAB, pritisnite tipku DAB / FM (9) nekoliko puta dok se na zaslonu ne prikaže FM.

3. Nakon što je u režimu FM, vaš DAB Digital Radio prilagodit će se startu raspoloživog FM raspona (87,50MHz) ili posljednjoj popisanoj FM postaji.

4. Da biste ručno promijenili FM frekvenciju, provjerite niste li odabrali nijedan drugi podizbornik. Zakrenite TU +/- (za promjenu frekvencije na 0,05MHz).

## Promjena podataka o DAB zaslonu

1. Ako je digitalni radio DAB u načinu rada DAB, pritisnite tipku MENU / INFO (8) za odabir različitih informacija koje će se prikazati na zaslonu, kao što su DLS (segment dinamičke oznake), jačina signala, PTY (vrsta programa), ansambl, frekvencija, kvaliteta signala, bit rate kodek, vrijeme, datum.
2. Ako je digitalni radio DAB u režimu FM, pritisnite tipku MENU / INFO (8) za odabir različitih informacija za prikaz na zaslonu, poput radio teksta, PTY (vrsta programa), PS (programska usluga), stereo / mono, vrijeme, datum.

## DAB način rada - odabir opcija izbornika

1. Ako je digitalni radio DAB u načinu rada DAB, pritisnite i držite tipku MENU / INFO (8) za ulazak u popis izbornika. Pritisnite gumb Sljedeće / Prethodno (3,4) za odabir opcije kroz popis izbornika. Zatim se zaustavite na željenoj mogućnosti i pritisnite gumb IZBOR (7) za potvrdu. Opcije izbornika su potpuno skeniranje, ručno podešavanje, DRC, prune, sustav.

2. Potpuno skeniranje - u popisu izbornika pritisnite tipku Sljedeće / Prethodno (3,4) da biste kroz popis izbornika odabrali opciju "Potpuno skeniranje". Pritisnite gumb SELECT (7) za potvrdu i potpuno skeniranje pokreće se automatski. Nakon što skeniranje bude dovršeno, radio se vraća za reprodukciju prethodno odabrane stanice ili prve stanice na popisu stanica.

Napomena: ako nije pronađena nijedna radio stanica, prikazuje se "Nema DAB stanice". Za bolji prijam, produžite antenu ili ponovite potpuno skeniranje na drugom mjestu.

3. Ručno podešavanje - kao i uobičajena metoda skeniranja, možete ručno prilagoditi određeni kanal / frekvenciju. Ovo može biti korisno za podešavanje antene za postizanje najboljeg mogućeg prijema i skeniranje određenog kanala radi ažuriranja popisa stanica. Na popisu izbornika pritisnite gumb Sljedeće / Prethodno (3,4) da biste odabrali "Ručno podešavanje" kroz popis izbornika, pritisnite gumb za odabir (7) za potvrdu. Zatim pritisnite tipku Sljedeće / Prethodno (3,4) za odabir određenog kanala / frekvencije, a zatim pritisnite tipku SELECT (7) za potvrdu postavke na zaslonu. Na zaslonu se prikazuje živa indikacija jačine primljenog signala na odabranoj frekvenciji. Podešavanja antene očitovat će se u prikazanoj jačini signala.

5. Šljiva - to uklanja sve nevažeće stanice označene na popisu stanica Sa '?' ispred naziva stanice. U popisu izbornika pritisnite tipku Sljedeće / Prethodno (3,4) da biste kroz popis izbornika odabrali opciju "Okretanje", potvrdite gumb SELECT (7) za potvrdu. Zatim pritisnite gumb Sljedeće / Prethodno (3,4) za odabir < Da> i pritisnite tipku SELECT (7) za potvrdu

6.0. Vrijeme - ako postoji bilo koji DAB + radio signal, stroj će automatski ažurirati vrijeme, nema signala, može se postaviti i ručno.

\* Postavite vrijeme / datum: postavljen sat / zadana minuta / zadani mjesec / datum postavljanja> godina podešavanja> spremjeno

\* Opcije automatskog ažuriranja: ažuriranje s Bilo kojeg / ažuriranje s DAB / ažuriranje s FM-a / nema ažuriranja

\* Postavite 12/24 sata: 12h / 24h

\* Podesite format datuma: DD-MM-GGGG / MM-DD-GGGG Klikni kroz izbornik Vrijeme pritiskom gumba SELECT (7), odaberite određenu opciju i pritisnite SELECT (7) promjene gumba.

6.1. Pozadinsko osvjjetljenje - ovaj radio zaslon ima pozadinsko osvjjetljenje koje se može podesiti. Možete odabrati vrijeme van pozadinskog osvjjetljenja zaslona vašeg radija. U izborniku sustava pritisnite tipku Sljedeće / Prethodno (3,4) za odabir "Pozadinsko osvjjetljenje" kroz popis izbornika. Pritisnite gumb IZBOR (7) da biste potvrdili na "Visoko", "Srednje" ili "Nisko".

6.2. Jezik - Jezik koji se koristi za prikaz poruka može se odabrati iz sljedećih opcija: Engleski | Francais U izborniku sustava pritisnite tipku Next / Previous (3,4) za odabir "Language" kroz popis izbornika. Pritisnite tipku SELECT (7) za potvrdu. Krenite kroz izbornik Jezik pritiskom na tipku Sljedeće / Prethodno (3,4), odaberite i zaustavite se na određenom jeziku. Pritisnite tipku IZBOR (7) za potvrdu.

6.3. Tvorničko resetiranje - Ova funkcija briše sve korisnički definirane postavke, zamjenjujući ih s izvornim zadanim vrijednostima, tako da su izgubljeni vrijeme / datum, postavke / postavke, popis DAB postaja i unaprijed postavljene stanice. U izborniku sustava pritisnite tipku Sljedeće / Prethodno (3,4) za odabir "Factory Reset" (Poništavanje tvorničkih postavki) kroz popis izbornika, a za potvrdu pritisnite gumb SELECT (7). Zatim pomoću gumba Sljedeće / Prethodno (3,4) odaberite <Da> i pritisnite gumb IZBOR (7) da biste pokrenuli tvorničko resetiranje.

6.4. Verzija softvera - koristi se za prikaz trenutne verzije softvera.

U izborniku sustava pritisnite gumb Sljedeće / Prethodno da biste na popisu izbornika odabrali "Verzija softvera". Pritisnite tipku IZBOR za potvrdu. Potom će se prikazati postojeća SW verzija.

## FM način - odabir opcija izbornika

1. Ako je digitalni radio DAB u režimu FM, pritisnite i držite tipku MENU / INFO (8) da biste ušli i na popis izbornika. Pritisnite tipku Sljedeće / Prethodno (3,4) za odabir opcije kroz popis izbornika. Zatim se zaustavite na željenoj mogućnosti i pritisnite gumb IZBOR (7) za potvrdu. Opcije izbornika su postavke skeniranja, postavke zvuka, sustav.

2. Postavka skeniranja - zadano se FM skeniranje zaustavlja na bilo kojoj dostupnoj postaji (Sve stanice). To može rezultirati nekvalitetnim zvukom slabih postaja.

Opcije: Samo jake stanice / Sve stanice U popisu izbornika pritisnite tipku Sljedeće / Prethodno (3,4) da biste odabrali određenu opciju u "Postavke skeniranja", a zatim pritisnite gumb SELECT (7) da potvrdite promjenu na novu postavku.

3. Zvučna postavka - zadano su sve stereo stanice reproducirane u stereo. Za slabe stanice to može rezultirati zvukom loše kvalitete. Kvaliteta zvuka može se poboljšati mono. Opcije: Stereo je dopušten | Mono mono U popisu izbornika pritisnite tipku Next / Previous (3,4) da biste odabrali određenu opciju u "Audio postavci", a zatim pritisnite gumb SELECT (7) za potvrdu promjene nove postavke. Automatski će se prebaciti na novu postavku nakon 3 sekunde.

## Gumb PRESET

Unaprijed postavljene 20 DAB postaja i 20 FM omiljenih stanica

1. Spremite postaju na prethodno podešen popis - da biste pohranili postaju, odabranu željenu radio stanicu, zatim pritisnite i držite pritisnutu tipku PRESET (2) sve dok se na LCD zaslonu ne prikaže "Preset store # : ( Empty )" ili "#: spremljena radio stanica".

2. Pritisnite gumb Next / Previous (3,4) za odabir željenog broja postaje, pritisnite gumb SELECT (7) za potvrdu odabira, na zaslonu će se prikazati "Preset # Stored".

Sjete se postaje s popisa unaprijed

1. Da biste ponovno pozvali predodređenu stanicu, jednom pritisnite tipku "PRESET", bilo da zakrenete gumb Next / Previous (3,4) da biste odabrali pohranjenu postaju. Kad se na zaslonu prikaže željeni unaprijed postavljivi broj, pritisnite gumb SELECT (7) za potvrdu.

Napomena: Ako odaberete prethodno postavljenu postaju koja nije dodijeljena postaje, prikazat će se poruka "Prazno".

Sljedeći / prethodni gumb

Odabir radio stanica ili opcija

1. Ako je digitalni radio DAB u načinu rada DAB, pritisnite tipku Next / Previous (3,4) da biste preslušali popis radio postaja dok slušate. Ili pritisnite gumb Sljedeće / Prethodno (3,4) da biste se kretali kroz popis izbornika za mogućnosti.

2. Ako je DAB Digital Radio u FM modu, pritisnite tipku Next / Previous (3,4) za ručno podešavanje frekvencije na 0,05MHz. Ili možete pritisnuti i držati TU +/- (3,4) tipku za automatsko skeniranje stanice. Ili pritisnite gumb Sljedeće / Prethodno (3,4) da biste se kretali kroz popis izbornika za mogućnosti.

Gumb VOLUME +/-

podešavanje glasnoće

Zakrenite kotačić za glasnoću da biste povećali ili smanjili glasnoću.

Postavljanje alarma i vremena

Možete postaviti dva alarma koji se mogu prilagoditi radio stanici ili zvuku.

Napomena: Alarmi se oglašavaju samo kad je uključen ili u stanju pripravnosti i povezan s napajanjem.

Alarmi se ne oglašavaju kad su isključeni.

Postavljanje alarma

1. Pritisnite tipku Izbornik (8) 2 sekunde za prikaz glavnog izbornika.

2. Okrenite i pritisnite tipku Sljedeće / Prethodno (3,4) za odabir "Sustav"> "Alarm".

3. Pritisnite gumb Select (7) za izmjenu "čarobnjaka 1 za alarm".

4. Pritisnite gumb Next / Previous (3,4) za podešavanje sati i minuta, pritisnite Select (7) za potvrdu svakog odjeljka.

5. Pritisnite gumb za odabir, odaberite "Izvor".

6. Pritisnite gumb Next / Previous (3,4) za odabir zvučnika ', FM 'ili' DAB ', a zatim pritisnite gumb za odabir (7) za potvrdu.

7. Ako ste odabrali 'Digital Radio' ili 'FM' radio, pritisnite tipku Next / Previous (3,4) za odabir 'Preset' (2). Da biste reproducirali stanicu koju ste posljednje slušali, okrenite se i pritisnite birajte broj da biste odabrali 'Posljednje slušanje' ili okrenite i pritisnite tipku Sljedeće / Prethodno (3,4) da odaberete radio stanicu s popisa.

Napomena: Preskočite ovaj korak ako postavljate ton zvona.

8. Pritisnite tipku Sljedeće / Prethodno (3,4) za odabir "Dnevno", "jednom", "vikendi" ili "Radnim danima". a zatim pritisnite gumb za odabir (7) za potvrdu.

9. Pritisnite gumb Next / Previous (3,4) i odaberite "Volume". Pritisnite tipku Select (7) za potvrdu.

10. Okrenite i pritisnite Select (7) da biste postavili 'Alarm' na 'On'.

11. Okrenite i pritisnite Odaberi (7) da biste uključili 'Alarm spremljen'.

Postavljanje vremena mirovanja

1. Pritisnite i zadržite tipku Izbornik dvije sekunde za prikaz glavnog izbornika.

2. Okrenite i pritisnite tipku Sljedeće / Prethodno (3,4) za odabir "Sustav"> "Mirovanje".

3. Okrenite i pritisnite tipku Sljedeće / Prethodno (3,4) za podešavanje duljine timera za isključivanje.

Otkazivanje zvučnog alarma

Pritisnite Standby (10) da biste otkazali bilo koji zvučni alarm ili pritisnite Source da biste otkazali i pustili radio uključen.

Odgajanje zvučnog alarma

Da biste odgodili zvučni alarm, pritisnite tipku Select / Snooze (7). Na zaslonu će se prikazati odbrojavanje vremena za prikaz vremena alarma. Da biste podesili vrijeme odgađanja alarma, pritisnite tipku Continuous Select / Snooze (7) za izmjenu trajanja odgode u intervalima od 5 minuta do 15 minuta, a zatim 30 minuta. Za poništavanje alarma odgode pritisnite gumb pripravnosti (10).

Digitalni frekvencije: III. Opseg 174-240 MHz, FM: 87.5-108 MHz

Prijemni 5V (1A) DC mikro-USB prijemnik (isporučen kabel)

Litij-ionska punjiva baterija (2000 mAh)

Ulazi 5V DC (1A) mikro-USB utičnica

Uređaj ima II. klasu izolacije i zahtjeva uzemljenje.

Aparat ispunjava zahtjeve direktiva:

Električni uređaj niskog napona (LVD)

Elektromagnetna kompatibilnost (EMC)

Proizvod je označen oznakom CE na nazivnoj tablici.



Briuniću za okoliš. Molimo Vas da kartonska pakovanja odnesete u otkup otpadnog papira. Polietilenske džakove (PE) bacajte u kontejner za plastiku. Iskorišćen uređaj treba odneti na odgovarajuću deponiju, jer opasni sastojci koji se u njemu nalaze, mogu biti opasni za okoliš. Električni uređaj treba odneti na način, koji ograničava njegovu ponovnu upotrebu i korištenje. Ako se u uređaju nalaze baterije, treba ih izvaditi i odvojeno predati na deponiju. Uređaj se ne smije bacati u kontejner za komunalni otpad!!

## MAGYAR

### A BIZTONSÁGRA VONATKOZÓ FONTOS UTASÍTÁSOK OLVASSA EL FIGYELMESEN, ÉS ŐRIZZE MEG A KÉSŐBBIEKRE

1. A készülék használatbavétele előtt olvassa el a kezelési útmutatót, és járjon el az abban leírtak szerint. A gyártó nem vállal felelősséget a rendeltetéstől eltérő használatból vagy a nem megfelelő kezelésből eredő esetleges károkért.

2. A berendezés kizárólag otthoni használatra készült. Ne használja, más, a rendeltetésétől eltérő célra.

3. A berendezést kizárólag 230 V ~ 50 Hz, földelt dugaszolóaljzatra szabad csatlakoztatni. A biztonság fokozása érdekében egy áramkörre nem szabad egy időben nagyon sok elektromos készüléket kötni.
4. Különösen óvatosan kell eljárni a készülék használatakor, ha a közelben gyerekek tartózkodnak. Nem szabad megengedni, hogy a gyerekek játszanak a készülékkel, sem pedig azt, hogy a berendezést nem ismerő személyek használják.
5. **FIGYELMEZTETÉS:** Jelen készüléket használhatják 8 évnél idősebb gyermekek, valamint fizikai, érzékelő vagy pszichikai képességeikben korlátozott személyek, vagy olyan valaki, aki nem ismeri a készüléket, nincs vele tapasztalata, feltéve, hogy ez a biztonságukért felelős személy felügyeletével történik, vagy kioktatták őket a készüléknek biztonságos használatára, és tudatában vannak a használatával járó veszélyeknek. A gyerekek nem játszhatnak a berendezéssel. A berendezést ne tisztítsák és ne tartsák karban gyerekek, esetleg csak akkor, ha 8 évnél idősebbek, és ezt felügyelettel teszik.
6. Használat után húzza ki a dugaszt a hálózati dugaszolóaljzathoz úgy, hogy kézzel tartja a dugaszolóaljzatot. **NE** húzza a hálózati kábelnél fogva.
7. Ne merítse a kábelt, a dugaszt vagy az egész készüléket vízbe vagy más folyadékba. Ne tegye ki a készüléket az időjárás hatásainak (eső, napsütés stb.), és ne használja megnövekedett páratartalmú körülmények között (fürdőszoba, nedves kempingházak).
8. Időként ellenőrizze a hálózati kábel állapotát. Ha a hálózati kábel sérült, akkor a veszély megszüntetése érdekében azt erre specializált javítóműhelyben ki kell cseréltetni.
9. Ne használja a készüléket sérült hálózati kábellel, vagy ha azt leejtették, vagy bármilyen más módon megsérült, illetve rosszul működik. Ne javítsa önállóan a készüléket, mivel ez áramütés veszélyével jár. A sérült berendezést adja be megfelelő szervizbe ellenőrzésre vagy javításra. Bármilyen javítást kizárólag erre jogosult szerviz végezhet. A helytelenül végzett javítás komoly veszélyt jelenthet a használó számára.
10. A készüléket hideg, stabil, lapos felületre kell állítani, messze olyan konyhai készülékektől, amelyek felmelegedhetnek: pl. mikrosütőtől, gáztűzhelytől stb.
11. Ne használja a készüléket gyúlékony anyagok közelében.
12. A hálózati kábel nem lóghat az asztal szélén túl, vagy nem érhet forró felülethez.
13. Nem szabad felügyelet nélkül hagyni a bekapcsolt készüléket vagy tápegységet.
14. Plusz védelem érdekében ajánlott az elektromos áramkörbe 30 mA-t nem meghaladó névleges túláramra méretezett túláram-védőkapcsolót (RDC) kell beépíteni. Ezt villanyszerelőre kell bízni.
15. Ne hagyja, hogy víz érje a rádiót.
16. Csak száraz ruhával szabad áttörölni a rádiót. Ne használjon vizet vagy folyékony tisztítószereket.
17. Használjon rendszeresen speciális lemezt a CD olvasó tisztításához.
18. Száraz helyen tárolja a rádiót.

#### Készülék leírása (Dab Radio):

1. LCD kijelző 2. Előre beállított gomb 3. Előző / Szkenelés 4. Következő 5. Hangerő +/- gomb 6. Alvás 7. Válassza / Szundi 8. Menü / Információ 9. DAB / FM 10. Be- / kikapcsolás 11. Micro-USB 12. 3,5 mm-es fejhallgató-csatlakozó.

#### Első telepítés:

1. Ellenőrizze, hogy az eszköz teljesen fel van-e töltve. Ehhez csatlakoztassa a készüléket a mikro-USB-kábellel egy megfelelő áramforráshoz.
2. Tartsa nyomva a Bekapcsoló gombot (10) 2 másodpercig.
3. A DAB digitális rádió először
4. Ha a DAB digitális rádió hálózati adaptert használ, nyomja meg a POWER (10) gombot a „be” és a „készenléti állapot” bekapcsolásához. Húzza ki a hálózati adaptert a digitális rádió teljes kikapcsolásához.
5. Ha a DAB digitális rádió akkumulátorokat használ, tartsa lenyomva a POWER (10) gombot 2 másodpercig, vagy kapcsolja ki az 'off' kapcsolót, ez elindítja a DAB módot. Ez automatikusan megkeresi a rendelkezésre álló rádióállomásokat.

#### DAB / FM gomb Váltás DAB / FM módra

1. A DAB digitális rádió első bekapcsolásakor elindítja a DAB módot.
2. Ha az eszköz DAB módban van, nyomja meg többször a DAB / FM (9) gombot, amíg az FM meg nem jelenik a kijelzőn.

3. Ha FM módban van, a DAB digitális rádió a rendelkezésre álló FM tartomány (87,50MHz) vagy az utolsó felsorolt FM állomás elejére hangol.
4. Az FM frekvencia kézi megváltoztatásához győződjön meg arról, hogy nem választott más almenüt. Forgassa el a TU +/- (a frekvencia 0,05MHz-rel történő megváltoztatásához).

A DAB megjelenítési információinak megváltoztatása

1. Ha a DAB digitális rádió DAB módban van, nyomja meg a MENU / INFO (8) gombot a képernyőn megjelenítendő különböző információk kiválasztásához, mint például a DLS (dinamikus címkekeverés), a jel erőssége, PTY (programtípus), együttes, frekvencia, jelminőség, bitráta, codec, idő, dátum.
2. Ha a DAB digitális rádió FM módban van, nyomja meg a MENU / INFO (8) gombot a kijelzőn megjelenő különböző információk, például rádió szöveg, PTY (programtípus), PS (programszolgáltatás), sztereó / mono, idő, dátum.

DAB mód - a menüpontok kiválasztása

1. Ha a DAB digitális rádió DAB módban van, nyomja meg és tartsa lenyomva a MENU / INFO (8) gombot, hogy belépjen a menübe. A Next / Previous (3,4) gomb megnyomásával válassza ki az opciót a menülístan. Ezután álljon meg a kívánt opciónál és nyomja meg a SELECT (7) gombot a megerősítéshez. A menü opciói: teljes vizsgálat, kézi hangolás, DRC, szilva, rendszer.

2. Teljes vizsgálat - a menülístanban nyomja meg a Következő / Előző (3,4) gombot a „Teljes vizsgálat” menüpont kiválasztásához, nyomja meg a SELECT (7) gombot a megerősítéshez, és a teljes szkennelés automatikusan elindul, amikor a szkennelés befejeződik. Ha kész, a rádió visszatér az előzőleg kiválasztott állomásra vagy az állomáslistán lévő első állomás lejátszásához. Megjegyzés: ha nem található rádióállomás, akkor a „No DAB Station” felirat jelenik meg. A jobb vétel érdekében hosszabbítsa meg az antennát, vagy végezze el a teljes letapogatást egy másik helyen.

3. Kézi hangolás - a szkennelés szokásos módszere mellett manuálisan beállíthat egy adott csatormára / frekvenciára is. Ez hasznos lehet az antenna beállításához a lehető legjobb vétel elérése érdekében, és egy adott csatorna szkennelése az állomáslista frissítése érdekében. A menülístanban nyomja meg a Next / Previous (3,4) gombot, hogy kiválassza a „Manuális hangolás” menüpontot. A megerősítéshez nyomja meg a Select (7) gombot. Ezután nyomja meg a Next / Previous (3,4) gombot az adott csatorna / frekvencia kiválasztásához, majd nyomja meg a SELECT (7) gombot a beállítás megerősítéséhez. A kijelző a vett jel erősségének élő kijelzését mutatja a kiválasztott frekvencián. Az antenna beállításai a megjelenített vételi jel erősségében fognak megjelenni.

5. Szilva - ez eltávolítja az állomáslistában feltüntetett összes érvénytelen állomást egy '?' az állomás neve előtt. A menülístanban nyomja meg a Következő / Előző (3,4) gombot, hogy kiválassza a „Szilva” menüpontot, nyomja meg a SELECT (7) gombot a megerősítéshez, majd nyomja meg a Következő / Előző (3,4) gombot, hogy kiválassza a <Igen>, és nyomja meg a SELECT (7) gombot a megerősítéshez

6.0. Idő - ha van DAB + rádiójel, a gép automatikusan frissíti az időt, nincs jel, manuálisan is beállítható.

\* Set Time / Date: állítsa be az órát / állítsa be a percet / állítsa be a hónapot / dátumot> beállítsa az évet> mentse

\* Automatikus frissítési lehetőségek: frissítés bármilyenről / frissítés a DAB-ról / frissítés az FM-ről

/ nincs frissítés

\* Állítsa be a 12/24 órát: 12 óra / 24 óra

\* A dátum formátumának beállítása: NN-HH-ÉÉÉÉ / HH-NN-ÉÉÉÉ Átszavarhatja az Idő menüt a SELECT (7) gomb megnyomásával, válassza ki az adott lehetőséget, és a SELECT (7) gomb megnyomásával változtasson.

- 6.1. Háttérvilágítás - ennek a rádió kijelzőnek állítható háttérvilágítása van. Kiválaszthatja a rádió kijelző háttérvilágításának idejét. A rendszermenüben nyomja meg a Következő / Előző (3,4) gombot, hogy kiválassza a „Háttérvilágítás” menüpontot. Nyomja meg a SELECT (7) gombot, hogy megerősítse „Magas”, „Közepes” vagy „Alacsony” értékre.

- 6.2. Nyelv - A kijelző üzenetekhez használt nyelv az alábbi lehetőségek közül választható: Angol | Français A rendszermenüben nyomja meg a Következő / Előző (3,4) gombot a menüsorban a „Nyelv” kiválasztásához. Nyomja meg a SELECT (7) gombot a megerősítéshez. Görgessen a Nyelv menüben a Next / Previous (3,4) gomb megnyomásával, válassza ki és állítsa le egy adott nyelvet, nyomja meg a SELECT (7) gombot a megerősítéshez.

- 6.3. Gyári visszaállítás - Ez a funkció törli az összes felhasználó által megadott beállítást, helyettesítve azokat az eredeti alapértelmezett értékekkel, így az idő / dátum, a beállítások / beállítások, a DAB állomások listája és az előre beállított állomások elvesznek. A rendszermenüben nyomja meg a Következő / Előző (3,4) gombot a menü listán a „Gyári visszaállítás” kiválasztásához. Nyomja meg a SELECT (7) gombot a megerősítéshez. Ezután a Következő / Előző (3,4) gombbal válassza az <Igen> lehetőséget, majd nyomja meg a SELECT (7) gombot a gyári alaphelyzetbe állítás indításához.

6.4. Szoftver verzió - ez az aktuális szoftver verzió megjelenítésére szolgál.

A rendszermenüben nyomja meg a Next / Previous gombot a menülístan a „Software version” kiválasztásához, majd nyomja meg a SELECT gombot a megerősítéshez. Ezután a meglévő SW verzió jelenik meg.

FM mód - a menüpontok kiválasztása

1. Ha a DAB digitális rádió FM módban van, nyomja meg és tartsa lenyomva a MENU / INFO (8) gombot a menüjegyzékbe való belépéshez. Nyomja meg a Next / Previous (3,4) gombot az opció kiválasztásához a menülístan. Ezután álljon meg a kívánt opciónál és nyomja meg a SELECT (7) gombot a megerősítéshez. A menü opciói a szkennelési beállítás, az audio beállítás, a rendszer.

2. Szkennelés beállítás - alapértelmezés szerint az FM keresés bármely rendelkezésre álló állomáson leáll (Összes állomás). Ez a gyenge állomások rossz minőségű hangját eredményezheti.

Opciók: Csak erős állomások / Összes állomás A menülístanban nyomja meg a Next / Previous (3,4) gombot, hogy kiválassza az adott lehetőséget a „Scan beállítás” pontban, majd nyomja meg a SELECT (7) gombot az új beállításra való visszaigazolási megerősítéséhez.

3. Hangbeállítás - alapértelmezés szerint az összes sztereó állomás sztereó formátumban kerül lejátszásra. Gyenge állomások esetén ez rossz minőségű hangot eredményezhet. A hangminőség javítható a monó használatával. Opciók: sztereó engedélyezett Kényszerített monó A menülístanban nyomja meg a Next / Previous (3,4) gombot a kívánt beállítás kiválasztásához az „Audio beállítás” pontban, majd nyomja meg a SELECT (7) gombot az új beállításra való visszaigazolási megerősítéséhez. 3 másodperc múlva automatikusan új értékre



vált.

## PRESET gomb

Állítson be 20 DAB állomást és 20 FM kedvenc állomást

1. Tárolja az állomást az előre beállított listába - egy állomás tárolásához válassza ki a kívánt rádióállomást, majd nyomja meg és tartsa lenyomva egy másodpercig a PRESET (2) gombot, amíg az LCD-kijelzőn nem jelenik meg a „Preset store #: (Empty)” vagy „#: mentett rádióállomás”.
2. Vagy nyomja meg a Next / Previous (3,4) gombot a kívánt állomás számának kiválasztásához. Nyomja meg a SELECT (7) gombot a választás megerősítéséhez, a kijelzőn a „Preset # Stored” felirat jelenik meg.

Hívjon egy állomást a Preset listából

1. Egy előre beállított állomás visszahívásához nyomja meg egyszer a “PRESET” gombot, vagy forgassa el a Next / Previous (3,4) gombot, hogy kiválassza a tárolt állomásokat. Amikor a kijelzőn megjelenik a kívánt előre beállított szám, nyomja meg a SELECT (7) gombot a megerősítéshez.

Megjegyzés: Ha olyan előre beállított beállítást választ, amelyhez még nincs hozzárendelve állomás, akkor az „Üres” üzenet jelenik meg.

Következő / Előző gomb

Rádióállomások vagy opciók kiválasztása

1. Ha a DAB digitális rádió DAB módban van, nyomja meg a Következő / Előző (3,4) gombot a rádióállomások listájának átváltásához hallgatás közben. Vagy nyomja meg a Következő / Előző (3,4) gombot az opciók áttekintéséhez a menülistán.

2. Ha a DAB Digital Radio FM módban van, nyomja meg a Next / Previous (3,4) gombot a frekvencia kézi beállításához 0,05MHz-rel. Vagy nyomja meg és tartsa lenyomva a TU +/- (3,4) gombot az állomás automatikus lepotogatásához. Vagy nyomja meg a Következő / Előző (3,4) gombot az opciók áttekintéséhez a menülistán.

VOLUME +/- gomb

hangerő beállítása

Forgassa el a Hangerő-tárcsát a hangerő növeléséhez vagy csökkentéséhez.

## RIASZTÁSOK ÉS IDŐZÍTŐK BEÁLLÍTÁSA

Beállíthat két riasztást, amelyek rádióállomásra hangolhatnak vagy hangot hallathatnak.

Megjegyzés: A riasztások csak bekapcsolt állapotban vagy készenléti állapotban, valamint tápegységhez csatlakoztatva hallhatók.

Kikapcsolt állapotban a riasztás nem hangzik.

Riasztás beállítása

1. A főmenü megjelenítéséhez tartsa nyomva 2 másodpercig a Menü gombot (8).
2. Forgassa el és nyomja meg a Next / Previous (3,4) gombot a 'Rendszer' > 'riasztás' kiválasztásához.
3. Nyomja meg a Kiválasztás (7) gombot az '1. riasztás varázsló' megváltoztatásához.
4. A Next / Previous (3,4) gomb megnyomásával állítsa be az órákat és perceket, majd nyomja meg a Select (7) gombot az egyes szakaszok megerősítéséhez.
5. Nyomja meg a Select gombot, válassza a 'Source' menüpontot.
6. Nyomja meg a Next / Previous (3,4) gombot a Buzzer 'I', FM 'vagy' DAB 'kiválasztásához, majd nyomja meg a Select (7) gombot a megerősítéshez.
7. Ha a 'Digital Radio' vagy az 'FM' rádiót választotta, nyomja meg a Next / Previous (3,4) gombot a 'Preset' (2) kiválasztásához. Az utoljára hallgatott állomás lejátszásához fordítsa el és nyomja meg a Select tárcsát, hogy kiválassza az 'utoljára hallgatott' elemet, vagy pedig forduljon, majd nyomja meg a Next / Previous (3,4) gombot, hogy rádióállomást válasszon az előre beállított listából.
8. Nyomja meg a Next / Previous (3,4) gombot, hogy kiválassza a 'Daily', 'Egyszer', 'Hétvégék' vagy 'hétköznapok' menüpontot. majd nyomja meg a Select (7) gombot a megerősítéshez.
9. Nyomja meg a Next / Previous (3,4) gombot és válassza a 'Volume' menüpontot. A megerősítéshez nyomja meg a Select (7) gombot.
10. Forgassa el és nyomja meg a Select (7) gombot az 'Alarm' 'On' értékre állításához.
11. Forgassa el és nyomja meg a Select (7) gombot az 'Alarm saved' bekapcsolásához.

Az alvásidőzítő beállítása

1. A főmenü megtekintéséhez tartsa nyomva 2 másodpercig a Menü gombot.
2. Forgassa el és nyomja meg a Next / Previous (3,4) gombot a 'Rendszer' > 'Alvás' kiválasztásához.
3. Forgassa el és nyomja meg a Next / Previous (3,4) gombot az alvásidőzítő hosszának beállításához.

A hangjelzés törlése

A készenléti (10) gomb megnyomásával törölheti a riasztást, vagy nyomja meg a Forrás gombot, hogy törölje és bekapcsolja a rádiót.

A hangjelzés elhalasztása

A hangjelzés elhalasztásához nyomja meg a Select / Snooze (7) gombot. A kijelzőn visszazámláló jelenik meg, amely megmutatja, hogy meddig tartja a riasztást. A riasztás időtartamának beállításához nyomja meg a Folyamatos Kiválasztás / Szundi (7) gombot, hogy a szundi időtartamát 5 perces időközönként 15 percre, majd 30 percre változtassa. A szundi riasztás törléséhez nyomja meg a Készenléti (10) gombot.

Digitális frekvencia: III. Sáv 174–240 MHz, FM: 87,5–108 MHz

Fogadó tápegység 5 V (1A) DC mikro-USB (kábel mellékelve)

Lítium-ion újratölthető elem (2000 mAh)

Bemenetek 5 V DC (1A) Micro-USB tápcsatlakozó

A készülék II. szigetelési osztályban készült, földelésre van hozzá szükség.

A berendezés megfelel a következő direktíváknak:

Kisfeszültségű elektromos berendezések (LVD)

Elektromágneses kompatibilitás (EMC)

A termék CE jelzéssel van jelölve az adattáblán



A környezet védelme érdekében kérjük külön karton dobozok és műanyag zsákokat és dobja őket a megfelelő hulladék közé. Használt készüléket kell eljuttatni a kijelölt gyűjtőhelyekre miatt veszélyes elemek alkatrészeket, amelyek hatással lehetnek a környezetre. Ne dobja a készüléket a közös szemétkosárba.



**УСЛОВИ НА БЕЗБЕДНОСТ. ВАЖНО УПАТСТВО ЗА БЕЗБЕДНОСТ ПРИ УПОТРЕБА  
ВЕ МОЛИМЕ ВНИМАТЕЛНО ПРОЧИТАЈТЕ И ЧУВАЈТЕ ГО ЗА ИДНИ ПОТСЕТУВАЊА.**

Условите на гаранција се различни, ако уредот се користи за комерцијални цели.

1. Пред употреба на уредот внимателно прочитајте ги и секогаш следете ги следните упатства. Производителот не е одговорен за оштетувања кои произлегуваат од неправилна употреба на уредот.

2. Уредот треба да се употребува само внатре. Не употребувајте го уредот за било какви цели кои не се компатибилни со неговата примена.

3. Напонот е 230V, ~50Hz со заземјување. Од безбедносни причини не треба да се приклучуваат повеќе уреди на еден извор на електрична енергија.

4. Бидете внимателни кога го употребувате уредот во близина на деца. Не им дозволувајте на децата да си играат со

уредот. Не им дозволувајте на децата или луѓето кои не го познаваат уредот да го користат без надзор.

5. ПРЕДУПРЕДУВАЊЕ: Овој уред може да се користи од страна на деца над 8 години и лица со намалени физички, сензорни или ментални способности, или лица со недостаток на искуство и знаење, само доколку се под надзор на лице одговорно за нивната безбедност, или ако тие се обучени за безбедност при употреба на уредот и се свесни за опасностите поврзани со неговото работење. Децата не треба да си играат со уредот. Чистење и одржување на уредот не треба да се врши од страна на децата, освен ако тие се над 8 години и овие активности се вршат под надзор.

6. Откако ќе завршите со употреба на уредот, полека извадете го приклучникот од доводот на струја, притоа придржувајќи го штекерот со рака. Никогаш не влечете го кабелот!!!

7. Никогаш не ставајте го кабелот, приклучникот или целиот уред во вода. Никогаш не изложувајте го уредот на атмосферски услови, како директна сончева светлина или дожд, итн. Никогаш не употребувајте го уредот во влажни услови.

8. Повремено проверувајте ја состојбата на електричниот кабел. Доколку тој е оштетен, однесете го уредот на овластен сервис за замена на кабелот со цел да се избегнат опасни ситуации.

9. Никогаш не употребувајте го уредот со оштетен кабел или ако ви паднал или бил оштетен на било каков начин или ако не работи правилно. Не обидувајте се сами да го поправате дефектниот производ бидејќи тоа може да доведе до електричен шок.

Секогаш носете го таквиот уред на овластен сервис на поправка. Поправките можат да ги извршуваат единствено професионални лица од овластен сервис, бидејќи неправилните поправки можат да предизвикаат опасни ситуации за корисникот.

10. Никогаш не ставајте го уредот на или во близина на загреани или врели површини или кујнски уреди како електрични или плински шпорети.

11. Никогаш не користете го уредот во близина на запалливи материјали.

12. Не оставајте го кабелот да виси преку работ на работната површина.

13. Никогаш не оставајте го без надзор уредот поврзан со довод на струја. Дури и кога е употребата прекината за кратко време, исклучете го од струја, извадете го кабелот од штекер.

14. За гарантитане на додатна заштита, препорача се инсталиране на електричен систем дополнителен уред за разли ен напон на струја (RCD) со номинална струја не повеќа од 30 mA. Со тоа прашање обратите на стручан електричар.

15. Радиото не смее да се потопува во вода.

16. Радиото може да се чисти единствено со влажна крпа. Да не се користи вода или средства за чистење.

17. Треба регуларно да се користат специјални дискови за чистење на CD отварачи.
18. Радиото треба да се чува на суво место.

Опис на уредот (Радио ДаБ):

1. LCD дисплеј 2. Копче за претходно наместено 3. Претходно / Скенирање 4. Следно 5. Компул. +/- Копче 6. спиење 7. Изберете / Одложе
8. Мени / Информации 9. DAB / FM 10. Вклучено / Исклучено напојување 11. Микро-USB 12. 3.5ек за слушалки со 3,5 милиметри.

Прво поставување:

1. Осигурете се дека уредот е целосно наполнет. За да го направите ова, поврзете го уредот со микро USB кабел со соодветен извор на напојување.
2. Притиснете и задржете го копчето за вклучување (10) за 2 секунди.
3. Првпат дигиталното радио DAB
4. Кога вашето DAB Digital Radio го користи адаптерот за напојување, притиснете го копчето POWER (10) за да ги вклучите „вклучи“ и „подготвеност“. Исклучете го адаптерот за напојување за целосно да го исклучите дигиталното радио.
5. Кога вашето дигитално радио DAB користи батерии, притиснете го и држете го копчето POWER (10) 2 секунди или исклучете го прекинувачот 'off.s', тој ќе започне со режимот DAB. Автоматски ќе скенира за достапните радиостаници.

Копче DAB / FM

Префрлување во режим DAB / FM

1. Првиот пат кога ќе се вклучи дигиталното радио DAB, тој ќе започне со режимот DAB.
2. Ако уредот е во режим DAB, притиснете го копчето DAB / FM (9) повеќепати додека FM не се појави на екранот.
3. Штом сте во режим на FM, вашето DAB дигитално радио ќе се прилагоди на почетокот на достапниот опсег на FM (87.50MHz) или последната наведена станица на FM.
4. За рачно менување на фреквенцијата на FM, проверете дали не сте избрале други под-менија. Свртете го TU +/- (за да ја промените фреквенцијата за 0,05MHz).

Промена на информациите за приказот на DAB

1. Ако DAB Digital Radio е во режим DAB, притиснете го копчето MENU / INFO (8) за да изберете различни информации за прикажување на дисплејот, како што се DLS (сегмент со динамика на етикетата), јачина на сигналот, PTY (Тип на програма), ансамбл, фреквенција, квалитет на сигналот, кодек на стапка на бит, време, датум.
2. Ако DAB Digital Radio е во режим FM, притиснете го копчето MENU / INFO (8) за да изберете различни информации за прикажување на дисплејот, како што се радио текст, PTY (Тип на програма), PS (Програма услуга), стерео / моно, време, датум.

Режим DAB - избор на опции од менито

1. Ако DAB Digital Radio е во режим DAB, притиснете го и држете го копчето MENU / INFO (8) за да влезете во списокот со менија, за да притиснете го копчето Следно / Претходно (3,4) за да ја изберете опцијата преку списокот на менито. Потоа, застанете на саканата опција и притиснете го копчето SELECT (7) за да потврдите. Опциите на менито се целосно скенирање, рачно мesteње, DRC, чистење, систем.

2. Целосно скенирање - под списокот со мени, притиснете го копчето Следно / Претходно (3,4) за да изберете „Целосно скенирање“ преку списокот на менито. Притиснете го копчето ИЗБОР (7) за да потврдите и целосното скенирање започнува автоматски до еднаш скенирањето. завршено, радиото се враќа за да ја пуштите претходно избраната станица или првата станица на списокот на станици.

Забелешка: ако не е пронајдена радио станица, тој се прикажува „Не DAB станица“. За подобар прием, продолжете ја антената или повторно направете го целосното скенирање на друго место.

3. Рачна мелодија - како и нормалниот метод на скенирање, исто така можете рачно да се прилагодувате на одреден канал / фреквенција. Ова може да биде корисно за прилагодување на вашата антена за да се постигне најдобриот можен прием и скенирање на одреден канал за да се ажурира списокот на станици. Под списокот со мени, притиснете го копчето Следно / Претходно (3,4) за да изберете „Рачно мелодија“ преку списокот на менито. Притиснете го копчето Изберете (7) за да потврдите. Потоа, притиснете го копчето Следно / Претходно (3,4) за да изберете одредена канал / фреквенција и потоа притиснете го SELECT (7) копчето за да ја потврдите поставката на Екранот покажува жива индикација за примената јачина на сигналот на избраната фреквенција. Прилагодувањата на вашата антена ќе се манифестираат во примената јачина на сигнал прикажана.

5. Вулга - ова ги отстранува сите невалидни станици наведени во списокот на станици со '?' пред името на станицата. Под списокот со мени, притиснете го копчето Следно / Претходно (3,4) за да изберете „Prune“ преку списокот на менито, копче притиснете SELECT (7) за да потврдите на Потоа притиснете го копчето Следно / Претходно (3,4) за да изберете < Да>, и притиснете го копчето ИЗБОР (7) за потврда

- 6.0. Време - ако има радио сигнал DAB +, машината автоматски ќе го ажурира времето, нема сигнал, исто така може да се постави рачно.

\* Поставете време / датум: поставете час / поставена минута / поставен месец / датум на задача> поставена година> зачувана

\* Опции за автоматско ажурирање: ажурирање од Секое / ажурирање од DAB / ажурирање од FM

/ нема ажурирање

\* Поставете 12/24 час: 12 ч. / 24ч

\* Поставете формат на датум: DD-MM-YYYY / MM-DD-YYYY Циклус низ менито Time со притискање на копчето SELECT (7), изберете одредена опција и притиснете го копчето SELECT (7).

- 6.1. Заднинско осветлување - овој радио дисплеј има позадинско осветлување што може да се прилагодува. Можете да изберете време надвор од задното осветлување на екранот на вашето радио. Под системското мени, притиснете го копчето Следно / Претходно (3,4) за да изберете „Заднинско осветлување“ преку списокот на менито, притиснете го копчето ИЗБОР (7) за да потврдите на „Високо“, „Средно“ или „Ниско“.

6.2. Јазик - Јазикот што се користи за прикажување пораки може да се избере од следниве опции: Англиски | Français Под системското мени, притиснете го копчето Следно / Претходно (3,4) за да изберете „Јазик“ преку списокот на мениото. Притиснете го копчето SELECT (7) за да потврдите. Циркулирајте низ мениото Јазик со притиснување на копчето Следно / Претходно (3,4), изберете и запрете на одреден јазик, Притиснете го копчето SELECT (7) за да потврдите.

6.3. Factory Reset - Оваа функција ги расчистува сите поставки дефинирани од корисникот, заменувајќи ги со оригиналните стандардни вредности, така што времето / датумот, параметрите / поставките, списокот на станици DAB и претходно поставените станици се изгубени. Под системското мени, притиснете го копчето Следно / Претходно (3,4) за да изберете „Фабричко ресетирање“ преку списокот на мениото. Притиснете го копчето ИЗБОП (7) за да потврдите. Потоа, користете го копчето Следно / Претходно (3,4) за да изберете <Да> и Притиснете го копчето ИЗБОП (7) за да започнете со фабрички ресетирање.

6.4. Софтверска верзија - ова се користи за прикажување на тековната верзија на софтверот. Под системското мени, притиснете го копчето Следно / Претходно за да изберете „Софтверска верзија“ преку списокот на мениото, Притиснете го копчето ИЗБОП за да потврдите. Потоа, ќе биде прикажана постојната SW верзија.

FM режим - избор на опции на мениото

1. Ако DAB Digital Radio е во режим FM, притиснете го и држете го копчето MENU / INFO (8) за да влезете во списокот со мени. Притиснете го копчето Следно / Претходно (3,4) за да ја изберете опцијата преку списокот со мени. Потоа, застанете на саканата опција и притиснете го копчето SELECT (7) за да потврдите. Опциите на мениото се поставување на скенирање, поставување на аудио, систем.

2. Поставување на скенирање - по дифолт, FM скенира запира на која било достапна станица (Сите станици). Ова може да резултира во слаб квалитет на аудио од слаби станици. Опции: Само силни станици | Сите станици Под списокот со мени, притиснете го копчето Следно / Претходно (3,4) за да изберете одредена опција во „поставување на скенирање“, потоа притиснете го копчето SELECT (7) за да ја потврдите промената во новата поставка.

3. Аудио поставување - по дифолт, сите стерео станици се репродуцираат во стерео. За слаби станици, ова може да резултира во аудио слаб квалитет. Квалитетот на аудио може да се подобри со употреба на моно. Опции: Дозволено стерео | Присилен моно Под списокот со мени, притиснете го копчето Следно / Претходно (3,4) за да изберете одредена опција во „Аудио поставка“, потоа притиснете го копчето ИЗБОП (7) за да ја потврдите промената во новата поставка. Автоматски ќе се смени во нова поставка по 3 секунди.

Копче ПРИСЕТ

Однапред поставени 20 станици DAB и 20 FM омилени станици

1. Складирајте станица во претходно поставената листа - за чување станица, избрана посакувана радио станица, а потоа притиснете го и држете го копчето PRESET (2) за секунда, додека LCD-екранот „Preset store #: (Empty)“, или „#: зачувана радио станица“.

2. Или притиснете го копчето Следно / Претходно (3,4) за да го изберете посакуваниот број за претходно наместена станица, Притиснете го копчето SELECT (7) за да го потврдите вашиот избор, на екранот ќе се појави „Однапред # Зачувано“.

Потсетете се на станицата од списокот со претходно наместена листа

1. За да се потсетите на претходно поставената станица, притиснете го копчето „PRESET“ еднаш, или завртете го копчето Следно / Претходно (3,4) за да изберете претходно поставена станица што сте ја зачувале. Кога дисплејот ќе го прикаже посакуваниот претходно поставен број, притиснете го копчето Притиснете го SELECT (7) за да потврдите.

Белешка: Ако одберете претходно наместена станица, тогаш ќе се прикаже „Празен“.

Следно / претходно копче

Избор на радиостаници или опции

1. Ако дигиталното радио DAB е во режим DAB, притиснете го копчето Следно / Претходно (3,4) за да циклусувате низ списокот на радиостаници кога слушате. Или, притиснете го копчето Следно / Претходно (3,4) за да се врти низ списокот со мени за опции.

2. Ако дигиталното радио DAB е во режим на FM, притиснете го копчето Следно / Претходно (3,4) за рачно да ја прилагодите фреквенцијата за 0,05MHz. Или можете да притиснете и задржете на копчето TU +/- (3,4) за станица за автоматско скенирање.

Или, притиснете го копчето Следно / Претходно (3,4) за да се врти низ списокот со мени за опции.

Копче VOLUME +/-

прилагодување на јачината на звукот

Свртете го копчето за јачина на звук за да ја зголемите или намалите јачината на звукот.

ПОСТАВУВА ALE НА АЛАРМИ И ВРЕМЕ

Можете да поставите два аларми, кои можат да се прилагодат на радио станица или да звук атониран.

Белешка: Алармите звук само кога е вклучен или во режим на подготвеност и е поврзан со напојување.

Алармите не се огласуваат кога е исклучен.

Поставување аларм

1. Притиснете го копчето Мени (8) за 2 секунди за да го видете главното мени.

2. Свртете го и притиснете го копчето Следно / Претходно (3,4) за да изберете „Систем“> „аларм“.

3. Притиснете го копчето Изберете (7) за промена на „Волшебникот од алармот 1“

4. Притиснете го копчето Следно / Претходно (3,4) за да ги прилагодите часовите и минути, притиснете Изберете (7) за да го потврдите секој дел.

5. Притиснете го копчето Изберете изберете „Извор“.

6. Притиснете го копчето Следно / Претходно (3,4) за да изберете Бузер '1' FM 'или' ДАБ ', потоа притиснете го копчето Изберете (7) за да потврдите.

7. Ако сте одбрале радио „Дигитално радио“ или „FM“, притиснете го копчето Следно / Претходно (3,4) за да изберете „Однапред“ (2). За да ја пуштите станицата што сте ја слушале последно, свртете го и притиснете го Изберете бирање за да изберете „Последно слушано“ или свртете го и притиснете го копчето Следно / Претходно (3,4) за да изберете радио станица од претходно поставениот список.

Белешка: Прескокнете го овој чекор ако поставите аларм за тон.

8. Притиснете го копчето Следно / Претходно (3,4) за да изберете „Дневно“, „Еднаш“, „Викенди“ или „работни денови“, потоа притиснете го копчето Изберете (7) за да потврдите.

9. Притиснете го копчето Следно / Претходно (3,4) изберете „Волумен“. Притиснете го копчето Изберете (7) за да потврдите.
10. Свртете и притиснете го Изберете (7) за да го вклучите „Алармот“ на „Вклучен“.
11. Свртете и притиснете го Изберете (7) за да го вклучите „Зачуваниот аларм“.

Поставување тајмер за спиење

1. Притиснете го копчето Мени 2 секунди за да го видите главното мени.
2. Свртете го и притиснете го копчето Следно / Претходно (3,4) за да изберете „Систем“> „Спиење“.
3. Свртете го и притиснете го копчето Следно / Претходно (3,4) за да ја прилагодите должината на тајмерот за спиење.

Откажување на алармот за звук

Притиснете го Standby (10) за да откажете кој било звучен аларм или притиснете Извор за да го откажете и да го оставите радиото.

Одложување на звук на звук

За да одложите звучен аларм, притиснете го копчето Select / Snooze (7). Екранот ќе прикаже тајмер за одбројување за да покаже колку долго ќе се одложи алармот. За да ја прилагодите времетраењето на алармот, притиснете го копчето Continuous Select / Snooze (7) за да го промените времетраењето на одложеноста во интервали од 5 минути до 15 минути, а потоа и 30 минути. За да откажете алармен за придрушување, притиснете го копчето Standby (10).

Дигитални фреквенции: опсег III 174-240 MHz, FM: 87,5-108 MHz

Примање на напојување 5V (1A) DC микро-USB (обезбеден кабел)

Батерија што може да се полни со литиум-јон (2000 mAh)

Влезови 5V DC (1A) Микро-USB приклучок за напојување

Уредот е направен во II класа на изолација.  
Уред е во согласност со директивите на ЕУ:  
- Директива за низок напон (LVD)  
- Електромагнетна компатибилност (EMC)  
Уред означени CE ознака на етикетата



За да се заштитат вашата околина: ве молиме одделни кутии и пластични кеси и да располага со нив во соодветните канти за отпадоци.  
Користи апаратот треба да биде предаден на посветен собирање поени поради hazardous компоненти, кои можат да влијаат на животната средина. Не фрлајте овој апарат во заедничката корпа за отпадоци.

## ΕΛΛΗΝΙΚΑ

### ΓΕΝΙΚΟΙ ΚΑΝΟΝΕΣ ΑΣΦΑΛΕΙΑΣ

1. Πριν από τη χρήση της συσκευής πρέπει να διαβάσετε τις οδηγίες χρήσεως και να τις ακολουθήσετε. Ο παραγωγός δεν ευθύνεται για ενδεχόμενες ζημιές που οφείλονται σε μη ενδεδειγμένη χρήση ή σε λάθος χειρισμό της συσκευής.
2. Η συσκευή προορίζεται για οικιακή χρήση. Απαγορεύεται η χρήση της για άλλους σκοπούς, για τους οποίους δεν προορίζεται.
3. Η συσκευή πρέπει να συνδεθεί μόνο με πρίζα 230 V ~ 50 Hz. Για την μεγαλύτερη ασφάλειά σας δεν πρέπει να συνδέετε στον ίδιο κύκλωμα ρεύματος πολλές ηλεκτρικές συσκευές.
4. Πρέπει να προσέχετε ιδιαίτερος κατά τη διάρκεια χρήσης της συσκευής όταν δίπλα βρίσκονται παιδιά. Δεν επιτρέπεται τα παιδιά να παίζουν με τη συσκευή. Δεν επιτρέπεται η χρήση της συσκευής από παιδιά ή άτομα που δεν έχουν ενημερωθεί σχετικά με το χειρισμό της.
5. Η συσκευή δεν προορίζεται για χρήση από άτομα (συμπεριλαμβανομένων των παιδιών) με περιορισμένες ικανότητες κινητικές, αισθητικές και νοητικές είτε από άτομα που δεν έχουν εμπειρία ή δεν έχουν ενημερωθεί σχετικά με το χειρισμό της συσκευής, εκτός αν

γίνεται αυτό υπό την εποπτεία ατόμου υπεύθυνου για την ασφάλεια τους και σύμφωνα με τις οδηγίες χρήσεως.

6. Πάντα μετά τη χρήση αποσυνδέσετε το ρευματολήπτη από το δίκτυο παροχής ρεύματος, κρατώντας την πρίζα. ΜΗΝ τραβήξετε το καλώδιο σύνδεσης.

7. Μη βάζετε το καλώδιο, το ρευματολήπτη και ολόκληρη τη συσκευή στο νερό ή άλλο υγρό. Προστατεύετε τη συσκευή από δυσμενείς καιρικές συνθήκες (βροχή, ήλιο, κ.ά.). Μην τη χρησιμοποιείτε σε συνθήκες αυξημένης υγρασίας (μπάνιο, κάμπινγκ).

8. Τακτικά πρέπει να ελέγχετε την κατάσταση του καλωδίου τροφοδοσίας. Εάν το καλώδιο τροφοδοσίας υποστεί ζημιά, πρέπει να αντικατασταθεί με ειδικό καλώδιο από την ειδική υπηρεσία εξυπηρέτησης πελατών για να αποφευχθεί κάθε κίνδυνος.

9. Μην χρησιμοποιείτε ποτέ τη συσκευή με ελαττωματικό καλώδιο τροφοδοσίας είτε με καλώδιο που έχει πέσει ή έχει υποστεί οποιαδήποτε άλλη ζημιά είτε δεν λειτουργεί σωστά. Μην επισκευάζετε τη συσκευή μόνοι σας, υπάρχει κίνδυνος ηλεκτροπληξίας. Την ελαττωματική συσκευή πρέπει να την ελέγξει ή να την επισκευάσει η κατάλληλη υπηρεσία εξυπηρέτησης πελατών. Οι επισκευές μπορούν να γίνουν μόνο από εξουσιοδοτημένες υπηρεσίες εξυπηρέτησης πελατών. Η λανθασμένη επισκευή μπορεί να προκαλέσει σοβαρό κίνδυνο για τους χρήστες.

10. "Η συσκευή πρέπει να τοποθετηθεί σε κρύα σταθερή και επίπεδη επιφάνεια, μακριά από εστίες ζέστης όπως ηλεκτρική κουζίνα, μπρίκι, κ.ά."

11. Μη χρησιμοποιείτε ποτέ τη συσκευή πλάι σε εύφλεκτα υλικά.

12. Το καλώδιο τροφοδοσίας δεν μπορεί να κρέμεται από το τραπέζι ή να αγγίζει καυτές επιφάνειες.

13. Μην αφήνετε τη συσκευή συνδεδεμένη με το δίκτυο παροχής ρεύματος χωρίς επίβλεψη.

14. Με σκοπό να διασφαλίσετε πρόσθετη προστασία προτείνεται να εγκαταστήσετε μέσα στο ηλεκτρικό κύκλωμα τη διάταξη προστασίας ρεύματος διαρροής (RCD) με το ονομαστικό ρεύμα που δεν υπερβαίνει 30 mA. Με σκοπό να το κάνετε πρέπει να καλέσετε τον ειδικό ηλεκτρικό.

15. Μην επιτρέψετε να βραχεί το ραδιόφωνο.

16. Μπορείτε να σκουπίσετε το ραδιόφωνο με ένα στεγνό πανί. Μην χρησιμοποιείτε νερό ή υγρά καθαρισμού.

17. Χρησιμοποιείστε τακτικά ειδικούς δίσκους για τον καθαρισμό της συσκευής αναπαραγωγής CD.

18. Το ραδιόφωνο θα πρέπει να φυλάσσεται σε στεγνό χώρο.

Περιγραφή συσκευής (ραδιόφωνο DAB):

1. Οθόνη LCD 2. Κουμπί προεπιλογής 3. Προηγούμενο / Σάρωση 4. Επόμενο 5. Πλήκτρο έντασης +/- 6. Sleep 7. Επιλογή / Αναβολή 8. Μενού / Πληροφορίες 9. DAB / FM 10. Ενεργοποίηση / Απενεργοποίηση 11. Μικρο-USB 12. Υποδοχή ακουστικών 3,5 mm.

Πρώτη ρύθμιση:

1. Βεβαιωθείτε ότι η συσκευή είναι πλήρως φορτισμένη. Για να γίνει αυτό, συνδέστε τη συσκευή με το καλώδιο Micro USB σε μια κατάλληλη πηγή τροφοδοσίας.

2. Πατήστε και κρατήστε πατημένο το κουμπί τροφοδοσίας (10) για 2 δευτερόλεπτα.

3. Την πρώτη φορά που το ψηφιακό ραδιόφωνο DAB

4. Όταν το ψηφιακό ραδιόφωνο DAB χρησιμοποιεί το τροφοδοτικό, πατήστε το κουμπί POWER (10) για να ενεργοποιήσετε το 'on' και το 'standby'. Αποσυνδέστε το τροφοδοτικό για να απενεργοποιήσετε πλήρως το ψηφιακό ραδιόφωνο.

5. Όταν το ψηφιακό ραδιόφωνο DAB χρησιμοποιεί μπαταρίες, Πατήστε και κρατήστε πατημένο το κουμπί POWER (10) για 2 δευτερόλεπτα ή διακόψτε το διακόπτη 'off'.s, θα ξεκινήσει η λειτουργία DAB. Θα ανιχνεύσει αυτόματα τους διαθέσιμους ραδιοφωνικούς σταθμούς.

Πλήκτρο DAB / FM

Μετάβαση στη λειτουργία DAB / FM

1. Την πρώτη φορά που θα αλλάξει το ψηφιακό ραδιόφωνο DAB, θα ξεκινήσει η λειτουργία DAB.
2. Εάν η συσκευή είναι σε λειτουργία DAB, πατήστε επανειλημμένα το κουμπί DAB / FM (9) μέχρι να εμφανιστεί η ένδειξη FM στην οθόνη.
3. Μόλις βρισκόσθε σε λειτουργία FM, το ψηφιακό ραδιόφωνο DAB θα συντονιστεί στην έναρξη της διαθέσιμης περιοχής FM (87,50MHz) ή στον τελευταίο σταθμό FM που αναγράφεται.
4. Για να αλλάξετε με μη αυτόματο τρόπο τη συχνότητα FM, βεβαιωθείτε ότι δεν έχετε επιλέξει άλλα δευτερεύοντα μενού. Γυρίστε το TU +/- (για να αλλάξετε τη συχνότητα κατά 0.05MHz.

#### Αλλαγή των πληροφοριών οθόνης DAB

1. Εάν το ψηφιακό ραδιόφωνο DAB βρίσκεται σε λειτουργία DAB, πατήστε το πλήκτρο MENU / INFO (8) για να επιλέξετε διαφορετικές πληροφορίες που εμφανίζονται στην οθόνη, όπως DLS (Δυναμική επίκετα), ισχύ σήματος, PTY (Τύπος προγράμματος) συχνότητα, ποιότητα σήματος, κωδικοποιητή bit rate, ώρα, ημερομηνία.
2. Εάν το ψηφιακό ραδιόφωνο DAB βρίσκεται σε κατάσταση FM, πατήστε το κουμπί MENU / INFO (8) για να επιλέξετε διαφορετικές πληροφορίες που εμφανίζονται στην οθόνη, όπως το ραδιοφωνικό κείμενο, το PTY (Τύπος προγράμματος), το PS (πρόγραμμα προγράμματος) μονο, ώρα, ημερομηνία.

#### Λειτουργία DAB - επιλογή επιλογών μενού

1. Εάν το ψηφιακό ραδιόφωνο DAB βρίσκεται σε κατάσταση DAB, πατήστε και κρατήστε πατημένο το πλήκτρο MENU / INFO (8) για να μπειτε στη λίστα μενού Πατήστε το κουμπί Next / Previous (3,4) για να επιλέξετε την επιλογή από τη λίστα μενού. Στη συνέχεια, σταματήστε στην προτιμώμενη επιλογή σας και πιέστε το πλήκτρο SELECT (7) για επιβεβαίωση. Οι επιλογές μενού είναι πλήρης σάρωση, χειροκίνητος συντονισμός, DRC, δαμάσκηνο, σύστημα.
2. Πλήρης σάρωση - στη λίστα μενού, πατήστε το πλήκτρο Επόμενο / Προηγούμενο (3,4) για να επιλέξετε "Πλήρης σάρωση" από τη λίστα μενού, Πιέστε το πλήκτρο SELECT (7) για επιβεβαίωση και η πλήρης σάρωση αρχίζει αυτόματα. ολοκληρωθήκε, το ραδιόφωνο επιστρέφει για να αναπαράγει τον προηγούμενο καναλιό για να ενημερώσετε τη λίστα σταθμών ή τον πρώτο σταθμό στη λίστα σταθμών. Σημείωση: αν δεν βρεθεί ραδιοφωνικός σταθμός, εμφανίζεται το μήνυμα "No DAB Station". Για καλύτερη λήψη, επεκτείνετε την κεραία ή επαναλάβετε την πλήρη σάρωση σε άλλη θέση.
3. Χειροκίνητος συντονισμός - καθώς και η κανονική μέθοδος σάρωσης, μπορείτε επίσης να συντονιστείτε με το χέρι ένα συγκεκριμένο κανάλι / συχνότητα. Αυτό μπορεί να είναι χρήσιμο για να ρυθμίσετε τη κεραία σας για να επιτύχετε την καλύτερη δυνατή λήψη και σάρωση ενός συγκεκριμένου καναλιού για να ενημερώσετε τη λίστα σταθμών. Στη λίστα μενού, πατήστε το κουμπί Επόμενο / Προηγούμενο (3,4) για να επιλέξετε "Χειροκίνητος συντονισμός" μέσω της λίστας μενού, Πατήστε το κουμπί επιλογής (7) για επιβεβαίωση. Στη συνέχεια, πατήστε το κουμπί Next / Previous (3,4) για να επιλέξετε ένα συγκεκριμένο κανάλι / συχνότητα και στη συνέχεια πιέστε το πλήκτρο SELECT (7) για να επιβεβαιώσετε τη ρύθμιση. Η οθόνη δείχνει μια ενεργή ένδειξη της έντασης του σήματος που λαμβάνετε στην επιλεγμένη συχνότητα. Οι ρυθμίσεις της κεραίας σας θα εμφανίζονται στην ένδειξη λήψης του σήματος που λαμβάνετε.
4. DRC (συμπύεση δυναμικού εύρους) - αυτή η λειτουργία μειώνει τη διαφορά μεταξύ του πιο δυνατού και πιο ήσυχου ήχου που μεταδίδεται. Στην πραγματικότητα, αυτό κάνει ήχους ήχους συγκριτικά πιο δυνατού και δυνατοί ήχοι συγκριτικά πιο ήσυχοι. Επιλογές: απενεργοποίηση (προεπιλογή) / υψηλή / χαμηλή Στη λίστα μενού, πατήστε το κουμπί Επόμενο / Προηγούμενο (3,4) για να επιλέξετε "DRC" από τη λίστα μενού, Πιέστε το πλήκτρο ENTER (7) για επιβεβαίωση. Στη συνέχεια, πατήστε το κουμπί Επόμενο / Προηγούμενο (3,4) για να επιλέξετε μια συγκεκριμένη ρύθμιση και πιέστε το πλήκτρο SELECT (7) για να επιβεβαιώσετε τη ρύθμιση Σημείωση: Το DRC λειτουργεί μόνο εάν είναι ενεργοποιημένο από τον ραδιοηλεκτρονικό φορέα για συγκεκριμένο σταθμό.
5. Κοπή - αφαιρεί όλους τους μη έγκυρους σταθμούς που αναγράφονται στη λίστα σταθμών με ένα σύμβολο "?" μπροστά από το όνομα του σταθμού. Στη λίστα μενού, πιέστε το πλήκτρο Επόμενο / Προηγούμενο (3,4) για να επιλέξετε "Prune" από τη λίστα μενού, Πιέστε το πλήκτρο SELECT (7) Ναι> και πιέστε το πλήκτρο SELECT (7) για επιβεβαίωση

6.0. Ώρα - εάν υπάρχει ραδιοφωνικό σήμα DAB +, το μηχανήμα θα ενημερώνει αυτόματα την ώρα, δεν υπάρχει σήμα, μπορεί επίσης να ρυθμιστεί χειροκίνητα.

\* Ρύθμιση ώρας / ημερομηνίας: ρύθμιση ώρας / ορισμένου λεπτού / καθορισμένου μήνα / καθορισμένης ημερομηνίας> καθορισμένου έτους> αποθηκευμένου

\* Επιλογές αυτόματης ενημέρωσης: ενημέρωση από Οποιαδήποτε / ενημέρωση από DAB / ενημέρωση από FM / καμία ενημέρωση

\* Ρύθμιση 12/24 ώρες: 12 ώρες / 24 ώρες

\* Ορίστε τη μορφή ημερομηνίας: DD-MM-YYYY / MM-DD-YYYY Μετακινήστε στο μενού Χρόνος πιέζοντας το κουμπί SELECT (7), επιλέξτε μια συγκεκριμένη επιλογή και πιέστε το πλήκτρο SELECT (7).

6.1. Οπίσθιο φωτισμός - αυτή η ραδιοφωνική οθόνη έχει οπίσθιο φωτισμό, ο οποίος μπορεί να ρυθμιστεί. Μπορείτε να επιλέξετε την ώρα από τον οπίσθιο φωτισμό της οθόνης του ραδιοφώνου σας. Στο μενού συστήματος, πατήστε το κουμπί Επόμενο / Προηγούμενο (3,4) για να επιλέξετε "Backlight" από τη λίστα μενού. Πιέστε το πλήκτρο SELECT (7) για να επιβεβαιώσετε τα "High", "Medium" ή "Low".

6.2. Γλώσσα - Η γλώσσα που χρησιμοποιείται για τα μηνύματα οθόνης μπορεί να επιλεγεί από τις παρακάτω επιλογές: Αγγλικά | Français Στο μενού συστήματος, πατήστε το κουμπί Επόμενο / Προηγούμενο (3,4) για να επιλέξετε "Γλώσσα" από τη λίστα μενού, Πιέστε το πλήκτρο SELECT (7) για επιβεβαίωση. Περιηγηθείτε στο μενού Γλώσσα πατώντας το κουμπί Επόμενο / Προηγούμενο (3,4), επιλέξτε και σταματήστε σε μια συγκεκριμένη γλώσσα. Πιέστε το πλήκτρο SELECT (7) για επιβεβαίωση.

6.3. Factory Reset (Επαναφορά εργοστασίου) - Η λειτουργία αυτή εκκαθαρίζει όλες τις ρυθμίσεις που ορίζονται από το χρήστη, αντικαθιστώντας τις με τις αρχικές προεπιλεγμένες τιμές, ώστε να χάνονται όλες οι ώρες / ημερομηνία, προτιμήσεις / ρυθμίσεις, λίστα σταθμών DAB και προεπιλεγμένοι σταθμοί. Στο μενού συστήματος, πατήστε το κουμπί Επόμενο / Προηγούμενο (3,4) για να επιλέξετε "Factory Reset" από τη λίστα μενού, Πιέστε το κουμπί SELECT (7) για επιβεβαίωση. Στη συνέχεια, χρησιμοποιήστε το κουμπί Επόμενο / Προηγούμενο (3,4) για να επιλέξετε <Ναι> και Πιέστε το πλήκτρο SELECT (7) για να ξεκινήσετε την επαναφορά εργοστασιακών ρυθμίσεων.



#### 6.4. Έκδοση λογισμικού - χρησιμοποιείται για την εμφάνιση της τρέχουσας έκδοσης λογισμικού.

Στο μενού συστήματος, πατήστε το κουμπί Επόμενο / Προηγούμενο για να επιλέξετε "Έκδοση λογισμικού" από τη λίστα μενού. Πιέστε το πλήκτρο SELECT για επιβεβαίωση. Στη συνέχεια, θα εμφανιστεί η υπάρχουσα έκδοση SW.

#### Λειτουργία FM - επιλογή επιλογών μενού

1. Εάν το ψηφιακό ραδιόφωνο DAB βρίσκεται σε λειτουργία FM, πατήστε και κρατήστε πατημένο το πλήκτρο MENU / INFO (8) για να μπείτε επίσης στη λίστα μενού. Πατήστε το κουμπί Επόμενο / Προηγούμενο (3,4) για να επιλέξετε την επιλογή από τη λίστα μενού. Στη συνέχεια, σταματήστε στην προτιμώμενη επιλογή σας και πιέστε το πλήκτρο SELECT (7) για επιβεβαίωση. Οι επιλογές μενού είναι η ρύθμιση σάρωσης, η ρύθμιση ήχου, το σύστημα.

2. Ρύθμιση σάρωσης - από προεπιλογή, οι σαρώσεις FM σταματούν σε οποιοδήποτε διαθέσιμο σταθμό (Όλοι οι σταθμοί). Αυτό μπορεί να έχει ως αποτέλεσμα χαμηλής ποιότητας ήχο από αδύναμους σταθμούς.

Επιλογές: Μόνο ισχυροί σταθμοί / Όλοι οι σταθμοί Στη λίστα μενού, πατήστε το κουμπί Επόμενο / Προηγούμενο (3,4) για να επιλέξετε μια συγκεκριμένη επιλογή στη ρύθμιση "Σάρωση", στη συνέχεια Πιέστε το πλήκτρο SELECT (7) για να επιβεβαιώσετε τη μεταβολή στη νέα ρύθμιση.

3. Ρύθμιση ήχου - από προεπιλογή, όλοι οι στερεοφωνικοί σταθμοί αναπαράγονται στερεοφωνικά. Για τους αδύναμους σταθμούς, αυτό μπορεί να οδηγήσει σε ήχο κακής ποιότητας. Η ποιότητα ήχου μπορεί να βελτιωθεί με τη χρήση του μονοφωνικού. Επιλογές: Επιτρέπεται η χρήση στερεοφωνικού | Ενεργοποιημένη μονοφωνία Στη λίστα μενού, πατήστε το κουμπί Επόμενο / Προηγούμενο (3,4) για να επιλέξετε μια συγκεκριμένη επιλογή στο "Ρύθμιση ήχου", στη συνέχεια Πιέστε το πλήκτρο SELECT (7) για να επιβεβαιώσετε την αλλαγή στη νέα ρύθμιση. Θα αλλάξει αυτόματα σε νέα ρύθμιση μετά από 3 δευτερόλεπτα.

#### Κουμπί PRESET

##### Προκαθορισμένα 20 σταθμοί DAB και 20 αγαπημένοι σταθμοί FM

1. Αποθηκεύστε έναν σταθμό στη λίστα προεπιλογών - για να αποθηκεύσετε έναν σταθμό, επιλέξτε τον επιθυμητό ραδιοφωνικό σας σταθμό και, στη συνέχεια, πατήστε και κρατήστε πατημένο το κουμπί PRESET (2) για ένα δευτερόλεπτο μέχρι να εμφανιστεί στην οθόνη LCD "Preset store #: {Empty}" ή #: αποθηκευμένος ραδιοφωνικός σταθμός".

2. Πατήστε το κουμπί Επόμενο / Προηγούμενο (3,4) για να επιλέξετε τον επιθυμητό αριθμό θέσης σταθμού. Πιέστε το πλήκτρο SELECT (7) για να επιβεβαιώσετε την επιλογή σας, στην οθόνη θα εμφανιστεί η ένδειξη "Preset # Stored".

##### Ανακαλέστε έναν σταθμό από τη λίστα Προεπιλογών

1. Για να ανακαλέσετε έναν προκαθορισμένο σταθμό, πατήστε το πλήκτρο "PRESET" μία φορά, είτε περιστρέψτε το κουμπί Επόμενο / Προηγούμενο (3,4) για να επιλέξετε προεπιλεγμένο σταθμό που έχετε αποθηκεύσει. Όταν η οθόνη εμφανίζει τον επιθυμητό αριθμό προεπιλογής, πιέστε το πλήκτρο SELECT (7) για επιβεβαίωση.

Σημείωση: Εάν επιλέξετε μια προεπιλογή στην οποία δεν έχει εκχωρηθεί ένας σταθμός, θα εμφανιστεί η ένδειξη "Empty".

##### Επόμενο / προηγούμενο κουμπί

##### Επιλογή ραδιοφωνικών σταθμών ή επιλογών

1. Εάν το ψηφιακό ραδιόφωνο DAB βρίσκεται σε λειτουργία DAB, πατήστε το κουμπί Επόμενο / Προηγούμενο (3,4) για να μεταβείτε στη λίστα ραδιοφωνικών σταθμών ή να ακούτε. Ή πατήστε το κουμπί Επόμενο / Προηγούμενο (3,4) για να μετακινηθείτε στη λίστα μενού για επιλογές.

2. Εάν το ψηφιακό ραδιόφωνο DAB βρίσκεται σε λειτουργία FM, πατήστε το κουμπί Επόμενο / Προηγούμενο (3,4) για να ρυθμίσετε χειροκίνητα τη συχνότητα κατά 0,05MHz. Ή μπορείτε να πατήσετε και να κρατήσετε πατημένο το πλήκτρο TU +/- (3,4) για αυτόματη σάρωση σταθμού. Ή πατήστε το κουμπί Επόμενο / Προηγούμενο (3,4) για να μετακινηθείτε στη λίστα μενού για επιλογές.

##### VOLUME +/-

##### ρύθμιση της έντασης ήχου

Γυρίστε τον επιλογέα έντασης ήχου για να αυξήσετε ή να μειώσετε την ένταση.

#### ΡΥΘΜΙΣΗ ΕΝΕΡΓΩΝ ΚΑΙ ΧΡΟΝΟΔΙΑΚΟΠΤΗ

Μπορείτε να ρυθμίσετε δύο συναγερμούς, οι οποίοι μπορούν να συντονιστούν σε ραδιοφωνικό σταθμό ή ήχο.

Σημείωση: Οι συναγερμοί ακούγονται μόνο όταν είναι ενεργοποιημένοι ή βρίσκονται σε κατάσταση αναμονής και είναι συνδεδεμένοι σε τροφοδοτικό.

Οι συναγερμοί δεν ακούγονται όταν είναι απενεργοποιημένοι.

##### Ρύθμιση συναγερμού

1. Πατήστε παρατεταμένα το κουμπί μενού (8) για 2 δευτερόλεπτα για να δείτε το κύριο μενού.

2. Περιστρέψτε και πατήστε το κουμπί Επόμενο / Προηγούμενο (3,4) για να επιλέξετε 'System' > 'alarm'.

3. Πατήστε το κουμπί Select (7) για να αλλάξετε τον 'Οδηγό συναγερμού 1'

4. Πατώντας το πλήκτρο Επόμενο / Προηγούμενο (3,4) για να ρυθμίσετε τις ώρες και τα λεπτά, πατήστε Επιλογή (7) για να επιβεβαιώσετε κάθε ενότητα.

5. Πατήστε το κουμπί Επιλογή, επιλέξτε 'Πηγή'.

6. Πατήστε το κουμπί Επόμενο / Προηγούμενο (3,4) για να επιλέξετε Buzzer ', FM 'ή DAB ', στη συνέχεια πιέστε το πλήκτρο Select (7) για επιβεβαίωση.

7. Εάν έχετε επιλέξει ραδιόφωνο «ψηφιακού ραδιοφώνου» ή «FM», πατήστε το κουμπί Επόμενο / Προηγούμενο (3,4) για να επιλέξετε «Preset» (2). Για να αναπαράγετε τον σταθμό που ακούσατε τελευταία, γυρίστε και πατήστε το περιστρεφόμενο κουμπί επιλογής για να επιλέξετε 'Last listened' ή περιστρέψτε και πατήστε το κουμπί Επόμενο / Προηγούμενο (3,4) για να επιλέξετε έναν ραδιοφωνικό σταθμό από τη λίστα προεπιλογών.

Σημείωση: Περάστε αυτό το βήμα, εάν ρυθμίζετε έναν συναγερμό τόνων.

8. Πατήστε το κουμπί Επόμενο / Προηγούμενο (3,4) για να επιλέξετε «Καθημερινά», «μία», «Σαββατοκύριακα» ή «Δευτέρα». και στη συνέχεια πατήστε το πλήκτρο Select (7) για επιβεβαίωση.

9. Πατήστε το κουμπί Επόμενο / Προηγούμενο (3,4), επιλέξτε 'Όγκος'. Πατήστε το πλήκτρο Select (7) για επιβεβαίωση.

10. Περιστρέψτε και πατήστε Επιλογή (7) για να ενεργοποιήσετε το 'Αφύπνιση' στο 'Ενεργό'.
11. Περιστρέψτε και πατήστε Επιλογή (7) για να ενεργοποιήσετε το 'Ξυπνητήρι αποθηκευμένο'.

Ρύθμιση του χρονοδιακόπτη ύπνου

1. Πατήστε παρατεταμένα το κουμπί μενού για 2 δευτερόλεπτα για να δείτε το κύριο μενού.
2. Περιστρέψτε και πατήστε το κουμπί Επόμενο / Προηγούμενο (3,4) για να επιλέξετε 'System' > 'Sleep'.
3. Περιστρέψτε και πατήστε το κουμπί Επόμενο / Προηγούμενο (3,4) για να ρυθμίσετε τη διάρκεια του χρονοδιακόπτη ύπνου.

Ακύρωση ενός ηχητικού συναγερμού

Πατήστε το κουμπί αναμονής (10) για να ακυρώσετε οποιαδήποτε ειδοποίηση ή πατήστε Πηγή για να ακυρώσετε και να αφήσετε το ραδιόφωνο.

Αναβολή του ήχου συναγερμού

Για να αναβάλετε έναν ήχο συναγερμού, πατήστε το πλήκτρο Select / Snooze (7). Στην οθόνη θα εμφανιστεί ένας χρονομετρητής αντιστροφής μέτρησης για να δείξει πόσο καιρό θα ζυπνήσει ο συναγερμός. Για να ρυθμίσετε το χρονικό διάστημα από το οποίο αναορθώνει ο συναγερμός, πατήστε το κουμπί συνεχούς επιλογής / αναβολής (7) για να αλλάξετε τη διάρκεια αναβολής εντός διαστημάτων 5 λεπτών έως 15 λεπτά και στη συνέχεια 30 λεπτών. Για να ακυρώσετε μια ειδοποίηση αναβολής, πατήστε το κουμπί αναμονής (10).

Συχνότητες Ψηφιακή: Band III 174-240 MHz, FM: 87,5-108 MHz

Δέκτης τροφοδοσίας 5V (1A) DC micro-USB (παρέχεται καλώδιο)

Επαναφορτιζόμενη μπαταρία ιόντων λιθίου (2000 mAh)

Είσοδοι 5V DC (1A) Υποδοχή Micro-USB

Η συσκευή είναι φτιαγμένη στην δεύτερη κλάση μόνωσης.

Η συσκευή συμμορφώνεται με κανόνες των Οδηγιών:

Ηλεκτρικές συσκευές χαμηλής τάσης (LVD)

Ηλεκτρομαγνητική συμβατότητα (EMC)

Το προϊόν φέρνει σήμα CE στον πίνακα.



Προστασία του περιβάλλοντος Η χάρτινη συσκευασία παρακαλούμε να παραδοθεί για ανακύκλωση.

Τις σακούλες από πολυαιθυλένιο να τις πετάτε σε κατάλληλα δοχεία.

Τις παλιές συσκευές πρέπει να αποσύρете με κατάλληλες διαδικασίες συγκέντρωσης αποβλήτων, διότι επικινδύνα συστατικά της συσκευής

## ČESKY

**BEZPEČNOSTNÍ PODMÍNKY. DUŽEZITĚ POKYNY TYKAJIČI SE POUŽITÍ A PROVOZU VÝROBKU. PODMÍNKY SI PROSÍM PŘEČTĚTE PŮZORNĚ A USCHOVEJTE JE PRO BUDOUCÍ POUŽITÍ.**

Záruční podmínky neplatí, pokud je přístroj použit pro komerční účely nebo v rozporu s nvodem. Přístroj je určen pouze pro použití v domácnosti.

1. Před použitím výrobku si pečlivě přečtete návod a vždy postupujte v souladu s uvedenými pokyny. Výrobce ani distributor není odpovědný za případné škody vzniklé v důsledku neodborné manipulace nebo použití v rozporu s návodem.

2. Výrobek lze použít pouze v interiéru. Nepoužívejte tento výrobek pro jakýkoli účel, pro který není určen.

3. Pro napájení výrobku použijte připojení na napětí 230V ~ 50Hz. Z bezpečnostních důvodů není vhodné pro připojení více zařízení k jedné zásuvce.

4. Prosím, buďte opatrní při používání výrobku jsou-li v blízkosti dětí. Nedovolte dětem hrát si s výrobkem. Nikdy nenechávejte výrobek bez dohledu pohybují-li se u něj děti nebo lidé, kteří nevědí, jak výrobek používat.

5. **UPOZORNĚNÍ:** Tento výrobek mohou obsluhovat děti od 8 let věku a osoby se sníženými fyzickými, smyslovými nebo duševními schopnostmi, nebo osoby bez zkušeností a znalostí výrobku pouze pod dohledem osoby odpovědné za jejich bezpečnost a zdraví. Nebo pokud byli poučeni o bezpečném používání výrobku, jsou si vědomi nebezpečí, chápou způsob použití výrobku a jejich smyslové schopnosti jsou dostatečné pro pochopení i bezpečné používání výrobku. Čištění a údržba výrobku nesmí provádět děti. Děti od 8 let mohou čištění provádět pouze pod dohledem dospělé osoby, která je mentálně i fyzicky způsobilá na dítě dohlížet.

6. Po ukončení použití tohoto výrobku jej nejprve vypněte je-li opatřen vypínačem, pak vždy opatrně vytáhněte zástrčku ze zásuvky. Přitom přidržujte zásuvku volnou rukou. Nikdy netahejte pouze za přívodní kabel!

7. Nikdy nenechávejte výrobek připojen ke zdroji napájení bez dozoru. Dokonce i tehdy, je-li přerušena dodávka napětí byť i jen na krátkou dobu.

8. Nikdy nedávejte, neponořujte napájecí kabel, zástrčku nebo celý výrobek do vody. Nevystavujte výrobek atmosférickými extrémním podmínkám. Jako je přímé sluneční záření, dešť, sních apod.. Nikdy nepoužívejte výrobek ve vlhkém prostředí.

9. Nikdy nepoužívejte výrobek s poškozeným síťovým kabelem, nebo pokud výrobek upadl z výšky a předpokládáte, že je poškozen nebo pokud nefunguje správně. Opravu vždy svěřte odbornému autorizovanému servisu, abyste předešli úrazu elektrickým proudem. Poškozený výrobek vždy ihned vypněte. Provedení neodborné opravy může vést k úrazu uživatele a zániku záruky pro postup uživatele v rozporu s bezpečnostními pokyny.

10. Nikdy nepokládejte výrobek na nebo do blízkosti horkých povrchů nebo do kuchyňských spotřebičů, jako jsou elektrické nebo plynové trouby. Nikdy výrobek při provozu nezakrývejte, nic na něj nestavte

11. Nikdy nepoužívejte výrobek v blízkosti hořavin.

12. Nenechávejte kabel viset doů přes okraje podložky na které je výrobek položen.

13. Po ukončení použití tohoto výrobku jej nejprve vypněte je-li opatřen vypínačem, pak vždy opatrně vytáhněte zástrčku ze zásuvky. Přitom přidržujte zásuvku volnou rukou. Nikdy netahejte pouze za přírodní kabel!

14. Pro zajištění dodatečné ochrany je vhodné nainstalovat v elektrickém obvodu proudový chránič (RCD) o jmenovitém proudu nepřekračujícím 30 mA. V tomto ohledu se, prosím, obraťte na kvalifikovaného elektrikáře.

15. Nedopouštějte do kontaktu rádio přehrávače s vodou.

16. Rádio přehrávač můžete utírat pouze suchým hadříkem. Nepoužívejte vodu ani čisticí prostředky.

17. Pravidelně používejte speciální čisticí CD nosiče určené k čištění CD přehrávače.

18. Rádio přehrávač uchovávejte na suchém místě.

Popis zařízení (Dab Radio):

1. LCD displej 2. tlačítko předvolby 3. předchozí / skenování 4. další 5. tlačítko hlasitosti +/- 6. režim spánku 7. výběr / odložení 8. Menu / Info 9. DAB / FM 10. Zapnutí / vypnutí 11. Micro-USB 12. 3,5mm jack pro sluchátka.

První nastavení:

1. Ujistěte se, že je zařízení plně nabitě. Chcete-li to provést, připojte zařízení pomocí kabelu Micro USB k vhodnému zdroji napájení.

2. Stiskněte a podržte tlačítko napájení (10) po dobu 2 sekund.

3. Poprvé digitální rádio DAB

4. Když digitální rádio DAB používá napájecí adaptér, stisknutím tlačítka POWER (10) zapněte „pohotovost“ a „pohotovostní režim“.

Chcete-li digitální rádio úplně vypnout, odpojte napájecí adaptér.

5. Pokud digitální rádio DAB používá baterie, stiskněte a podržte tlačítko POWER (10) po dobu 2 sekund nebo vypněte spínač „off“, spustí se režim DAB. Automaticky vyhledá dostupné rozhlasové stanice.

Tlačítko DAB / FM

Přepnutí do režimu DAB / FM

1. Při prvním zapnutí digitálního rádia DAB se spustí režim DAB.

2. Pokud je zařízení v režimu DAB, stiskněte opakovaně tlačítko DAB / FM (9), dokud se na displeji nezobrazí FM.

3. Jakmile je v režimu FM, vaše digitální rádio DAB naladí začátek dostupného rozsahu FM (87,50 MHz) nebo poslední uvedené stanice FM.

4. Chcete-li manuálně změnit frekvenci FM, ujistěte se, že jste nevybrali žádné další dílčí nabídky. Otáčením ovladače TU +/- (změníte frekvenci o 0,05 MHz).

Změna zobrazovaných informací DAB

1. Pokud je digitální rádio DAB v režimu DAB, stisknutím tlačítka MENU / INFO (8) vyberte různé informace, které se mají zobrazit na displeji, například DLS (dynamický štítek segmentu), sílu signálu, PTY (typ programu), soubor, frekvence, kvalita signálu, kodek bitové rychlosti, čas, datum.

2. Je-li digitální rádio DAB v režimu FM, stisknutím tlačítka MENU / INFO (8) vyberte různé informace, které se mají zobrazit na displeji, jako je text rádia, PTY (typ programu), PS (programová služba), stereo / mono, čas, datum.

Režim DAB - výběr možností nabídky

1. Pokud je digitální rádio DAB v režimu DAB, stiskněte a podržte tlačítko MENU / INFO (8) pro vstup do seznamu nabídek. Stisknutím tlačítka Další / Předchozí (3,4) vyberte možnost v seznamu nabídek. Poté zastavte svou preferovanou možnost a potvrďte stisknutím tlačítka SELECT (7). Možnosti nabídky jsou plně skenování, ruční ladění, DRC, prořezávání, systém.

2. Úplné prohledávání - v seznamu nabídek stiskněte tlačítko Další / Předchozí (3,4) pro výběr „Úplné prohledávání“ v seznamu menu, stiskněte tlačítko SELECT (7) pro potvrzení a úplné prohledávání se spustí automaticky Jakmile je skenování provedeno Po dokončení se rádio vrátí a přehraje dříve vybranou stanici nebo první stanici v seznamu stanic.

Poznámka: Pokud nebyla nalezena žádná rozhlasová stanice, zobrazí se „No DAB Station“. Pro lepší příjem rozšířte anténu nebo znovu proveďte úplné skenování na jiném místě.

3. Ruční ladění - stejně jako běžný způsob skenování můžete také ručně naladit konkrétní kanál / frekvenci. To může být užitečné pro nastavení antény pro dosažení nejlepšího možného příjmu a prohledávání konkrétního kanálu pro aktualizaci seznamu stanic. V seznamu nabídek stiskněte tlačítko Next / Previous (3,4) pro výběr „Manual tune“ v seznamu menu, stiskněte tlačítko Select (7) pro potvrzení. Poté stiskněte tlačítko Next / Previous (3,4) pro výběr konkrétního kanálu / frekvence a poté stiskněte tlačítko SELECT (7) pro potvrzení nastavení. Na displeji se zobrazí živá indikace síly přijímaného signálu na vybrané frekvenci. Úpravy vaší antény se projeví na zobrazené síle přijímaného signálu.

5. Prune - odstraní všechny neplatné stanice uvedené v seznamu stanic s '?' před názvem stanice. V seznamu nabídek stisknutím tlačítka Next / Previous (3,4) vyberte „Prune“ v seznamu menu, stisknutím tlačítka SELECT (7) volbu potvrďte. Poté stisknutím tlačítka Next / Previous (3,4) vyberte <Ano> a potvrďte stisknutím tlačítka SELECT (7)

6.0. Čas - pokud existují nějaké rádiové signály DAB +, stroj automaticky aktualizuje čas, není k dispozici žádný signál, lze také nastavit ručně.

\* Nastavit čas / datum: nastavit hodinu / nastavit minutu / nastavit měsíc / nastavit datum> nastavit rok> uloženo

\* Možnosti automatické aktualizace: aktualizace z libovolného / aktualizace z DAB / aktualizace z FM / bez aktualizace

\* Nastaveno 12/24 hodin: 12 hodin / 24 hodin

\* Nastavení formátu data: DD-MM-RRRR / MM-DD-RRRR Cyklujte pomocí nabídky Čas stisknutím tlačítka SELECT (7), vyberte konkrétní možnost a stiskněte tlačítko SELECT (7).

6.1. Podsvícení - tento displej rádia má nastavitelné podsvícení. Můžete nastavit časový limit podsvícení displeje vašeho rádia. V nabídce systému stiskněte tlačítko Next / Previous (3,4) pro výběr „Backlight“ v seznamu menu. Stisknutím tlačítka SELECT (7) potvrďte „High“, „Medium“ nebo „Low“.

6.2. Jazyk - Jazyk používaný pro zprávy na displeji lze vybrat z níže uvedených možností: Angličtina | Français V nabídce systému stiskněte tlačítko Next / Previous (3,4) pro výběr „Language“ v seznamu menu, stiskněte tlačítko SELECT (7) pro potvrzení. Procházejte nabídkou jazyka stisknutím tlačítka Next / Previous (3,4), vyberte a zastavte v určitém jazyce, potvrďte stisknutím tlačítka SELECT (7).

6.3. Factory Reset - Tato funkce vymaže všechna uživatelsky definovaná nastavení a nahradí je původními výchozími hodnotami, takže se ztratí čas / datum, preference / nastavení, seznam stanic DAB a uložené stanice. V nabídce systému stiskněte tlačítko Next / Previous (3,4) pro výběr „Factory Reset“ v seznamu menu, pro potvrzení stiskněte tlačítko SELECT (7). Poté pomocí tlačítka Další / Předchozí (3,4) vyberte <Ano> a stisknutím tlačítka VYBER (7) spustíte tovární reset.

6.4. Verze softwaru - slouží k zobrazení aktuální verze softwaru.

V nabídce systému stiskněte tlačítko Další / Předchozí a vyberte ze seznamu menu „Verze softwaru“. Potvrďte stisknutím tlačítka SELECT. Poté se zobrazí stávající verze SW.

Režim FM - výběr možnosti nabídky

1. Pokud je digitální rádio DAB v režimu FM, stisknutím a podržením tlačítka MENU / INFO (8) vstoupíte také do seznamu nabídek. Stisknutím tlačítka Další / Předchozí (3,4) vyberte možnost v seznamu nabídek. Poté zastavte svou preferovanou možnost a potvrďte stisknutím tlačítka SELECT (7). Možnosti nabídky jsou nastavení skenování, nastavení zvuku, systém.

2. Nastavení vyhledávání - ve výchozím nastavení se vyhledávání FM zastaví na jakékoli dostupné stanici (Všechny stanice). To může mít za následek nekvalitní zvuk ze slabých stanic.

Možnosti: Pouze silné stanice / Všechny stanice V seznamu nabídek stisknutím tlačítka Další / Předchozí (3,4) vyberte konkrétní možnost v poloze „Nastavení skenování“ a poté stisknutím tlačítka SELECT (7) potvrďte změnu na nové nastavení.

3. Nastavení zvuku - ve výchozím nastavení jsou všechny stereofonní stanice reprodukovány stereofonně. U slabých stanic to může mít za následek nekvalitní zvuk. Kvalitu zvuku lze zlepšit pomocí mono. Možnosti: Stereo povoleno / Vynucený mono V seznamu nabídek stiskněte tlačítko Další / Předchozí (3,4) pro výběr konkrétní možnosti v „Nastavení zvuku“ a poté stisknutím tlačítka SELECT (7) potvrďte změnu na nové nastavení. Po 3 sekundách se automaticky změní na nové nastavení.

Tlačítko PRESET

Předvolte 20 stanic DAB a 20 oblíbených stanic FM

1. Uložte stanici do seznamu předvoleb - chcete-li uložit stanici, vyberte požadovanou rozhlasovou stanici a poté na sekundu podržte stisknuté tlačítko PRESET (2), dokud se na LCD displeji nezobrazí „Preset store #: : Empty“ nebo „#: uložena rozhlasová stanice“.

2. Stisknutím tlačítka Next / Previous (3,4) vyberte požadované číslo předvolby stanice. Stisknutím tlačítka SELECT (7) potvrďte svůj výběr, na displeji se zobrazí „Preset # Stored“.

Vyvolejte stanici ze seznamu předvoleb

1. Chcete-li vyvolat předvolenou stanici, stiskněte jednou tlačítko „PRESET“, otočením tlačítka Next / Previous (3,4) vyberte předvolenou stanici, kterou jste uložili. Když se na displeji zobrazí požadované číslo předvolby, stiskněte tlačítko SELECT (7) pro potvrzení.

Poznámka: Pokud zvolíte předvolbu, která nebyla přidělena žádné stanici, zobrazí se „Empty“.

Tlačítko Další / Předchozí

Výběr rozhlasových stanic nebo možností

1. Pokud je digitální rádio DAB v režimu DAB, můžete během poslechu procházet seznamem rozhlasových stanic stisknutím tlačítka Další / Předchozí (3,4). Nebo stisknutím tlačítka Další / Předchozí (3,4) procházejte seznamem možností.

2. Pokud je digitální rádio DAB v režimu FM, stisknutím tlačítka Next / Previous (3,4) ručně upravte frekvenci o 0,05 MHz. Nebo můžete stisknutím a podržením tlačítka TU +/- (3,4) automaticky vyhledat stanici. Nebo stisknutím tlačítka Další / Předchozí (3,4) procházejte seznamem možností.

Tlačítko VOLUME +/-

nastavení hlasitosti

Otočením ovladače hlasitosti zvýšíte nebo snížíte hlasitost.

NASTAVENÍ ALARMŮ A ČASŮ

Můžete nastavit dva budíky, které lze naladit na rozhlasovou stanici nebo na zvukový signál.

Poznámka: Budíky zazní pouze při zapnutém nebo pohotovostním režimu a připojeném k napájení.

Alarmy nezazní, když je vypnutý.

Nastavení budíku

1. Stisknutím a podržením tlačítka Menu (8) po dobu 2 sekund zobrazíte hlavní nabídku.

2. Otočením a stisknutím tlačítka Next / Previous (3,4) vyberte „System“> „alarm“.

3. Stisknutím tlačítka Vybrat (7) změníte průvodce „Alarm 1“

4. Stisknutím tlačítka Další / Předchozí (3,4) upravte hodiny a minuty, stisknutím tlačítka Vybrat (7) potvrďte každou sekci.

5. Stisknutím tlačítka Vybrat vyberte „Zdroj“.

6. Stisknutím tlačítka Next / Previous (3,4) vyberte buzučák, „FM“ nebo „DAB“, poté stisknutím tlačítka Select (7) volbu potvrďte.

7. Pokud jste vybrali rádio „Digital Radio“ nebo „FM“, stisknutím tlačítka Next / Previous (3,4) vyberte „Preset“ (2). Chcete-li přehrát stanici, kterou jste naposledy poslouchali, otočte ji a stiskněte kolečko Select pro výběr „Last Listened“ nebo otáčejte a stisknutím tlačítka Next / Previous (3,4) vyberte rozhlasovou stanici ze seznamu předvoleb.
- Poznámka: Pokud nastavujete tónový tón, tento krok přeskočte.
8. Stisknutím tlačítka Další / Předchozí (3,4) vyberte „Denně“, „Jednou“, „Víkendové dny“ nebo „Pracovní dny“. pak stiskněte tlačítko Select (7) pro potvrzení.
9. Stisknutím tlačítka Další / Předchozí (3,4) vyberte „Hlasitost“. Stisknutím tlačítka Select (7) volbu potvrďte.
10. Otáčením a stisknutím tlačítka Select (7) přepněte „Alarm“ na „On“.
11. Otáčením a stisknutím tlačítka Vybrat (7) otočte položku „Alarm uložen“.

#### Nastavení časovače vypnutí

1. Stisknutím a podržením tlačítka Menu po dobu 2 sekund zobrazíte hlavní nabídku.
  2. Otáčením a stisknutím tlačítka Next / Previous (3,4) vyberte „System“ > „Sleep“.
  3. Otáčením a stisknutím tlačítka Next / Previous (3,4) upravte délku časovače vypnutí.
- Zrušení zvukového alarmu  
 Stisknutím pohotovostního režimu (10) zrušíte jakýkoli zvukový alarm nebo stisknutím tlačítka Source zrušíte a necháte rádio zapnuté.  
 Odložení zvukového alarmu  
 Chcete-li odložit zvukový alarm, stiskněte tlačítko Select / Snooze (7). Na displeji se zobrazí odpočítávací měřič, který ukazuje, jak dlouho budík odloží. Chcete-li upravit dobu, po kterou bude budík odložen, stiskněte tlačítko Continuous Select / Snooze (7) pro změnu doby odložení v 5minutových intervalech až na 15 minut a poté 30 minut. Pro zrušení budíku stiskněte tlačítko Standby (10).

Digitální frekvence: pásmo III 174-240 MHz, FM: 87,5-108 MHz  
 Příjem napájení 5V (1A) DC micro-USB (kabel je součástí dodávky)  
 Lithium-iontová dobíjecí baterie (2000 mAh)  
 Vstupy 5V DC (1A) Micro-USB napájecí zásuvka

Spotřebič je proveden v 2. třídě izolace.  
 Spotřebič vyhovuje požadavkům směrnice:  
 Elektrická zařízení nízkého napětí (LVD)  
 Elektromagnetická kompatibilita (EMC)  
 Výrobek je na výrobním štítku označen znakem CE.



Ochrana životního prostředí. Kartón odevzdejte do sběru. Polyetylénové sáčky (PE) vyhazujte do kontejneru na plasty. Vysloužilý přístroj odevzdejte do příslušného sběrného dvoru, protože některé části zařízení mohou představovat pro životní prostředí nebezpečí. Elektrický přístroj odevzdejte tak, aby se omezilo jeho opětovné používání. Pokud jsou v přístroji baterie, vyjměte je a odevzdejte do příslušného sběrného místa zvlášť. Přístroj nevyhazujte do popelnic ani kontejneru na směsný odpad!!

## NEDERLANDS

### VEILIGHEID CONDITIES. BELANGRIJKE INSTRUCTIES VOOR DE VEILIGHEID VAN GEBRUIK. LEES DIT ZORGVULDIG DOOR EN BEWAAR HET VOOR LATER GEBRUIK.

De garantievoorwaarden zijn verschillend, als het apparaat wordt gebruikt voor commerciële doeleinden.

1. Voordat u het product gebruikt, lees aandachtig en voldoe altijd aan de volgende instructies. De fabrikant is niet verantwoordelijk voor eventuele schade als gevolg van verkeerd gebruik.
2. Het product is alleen voor binnenshuis gebruik. Gebruik het product niet voor een doel dat niet verenigbaar is met de toepassing ervan.
3. De toepasselijke voltage is 230V, ~ 50Hz. Om veiligheidsredenen is het niet wenselijk om meerdere apparaten aan te sluiten op een stopcontact.
4. Wees voorzichtig bij het gebruik rond kinderen. Laat de kinderen niet spelen met het product. Laat kinderen of mensen die niet weten hoe het apparaat werkt er niet mee bezig zonder toezicht.
5. **WAARSCHUWING:** Dit apparaat kan worden gebruikt door kinderen vanaf 8 jaar en personen met verminderde lichamelijke, zintuiglijke of geestelijke vermogens, of personen zonder ervaring of kennis van het apparaat alleen onder toezicht van een persoon die verantwoordelijk is voor hun veiligheid, of als ze werden geïnstrueerd over het veilige gebruik van het apparaat en zijn zich bewust van de gevaren in verband met de werking ervan. Kinderen mogen niet met het apparaat spelen. Reiniging en onderhoud van het apparaat mag niet door kinderen worden uitgevoerd, tenzij ze ouder zijn dan 8 jaar en deze activiteiten moeten worden uitgevoerd onder toezicht.
6. Nadat u klaar bent met het product moet u altijd onthouden om de stekker voorzichtig uit het stopcontact te trekken. Trek nooit aan het netsnoer!!
7. Zet nooit het netsnoer, de stekker of het hele apparaat in het water. Nooit het product aan de atmosferische omstandigheden bloot leggen, zoals direct zonlicht of regen, etc. Gebruik het product nooit in vochtige omstandigheden.



8. Controleer regelmatig de staat van de voedingskabel. Als het netsnoer beschadigd is moet het product worden gebracht naar een professionele service locatie en daar behandeld worden om gevaarlijke situaties te voorkomen.
9. Gebruik het product nooit met een beschadigd netsnoer of als het is gevallen of beschadigd op een andere manier of als het niet goed werkt. Probeer niet om het defecte product zelf te repareren, omdat het kan leiden tot een elektrische schok. Breng altijd het beschadigde apparaat naar een professionele service locatie om het te repareren. Alle reparaties kunnen alleen worden uitgevoerd door geautoriseerde service professionals. De reparatie die ten onrechte werd gedaan kan gevaarlijke situaties opleveren voor de gebruiker.
10. Zet het product nooit op of dichtbij hete of warme oppervlakken of keukenapparatuur, zoals de elektrische oven of gasbrander.
11. Gebruik het product nooit in de buurt van brandbare stoffen.
12. Laat het snoer niet hangen over de rand van de balie of ergens waar het warme oppervlakken aanraakt.
13. Laat het product niet aangesloten op het stopcontact zonder toezicht. Zelfs wanneer gebruik wordt onderbroken voor een korte tijd, zet het uit van het netwerk, stekker uit het stopcontact.
14. Om extra bescherming te bieden, is het raadzaam om residu (RCD) te installeren in de stroomkring, met een resterende huidige beoordeling niet meer dan 30 mA. Neem contact op met professionele elektriciens in deze zaak.
15. Zorg dat er geen water bij de radio komt.
16. Veeg de radio alleen af met een droge doek. Gebruik geen water of schoonmaakmiddelen.
17. Gebruik regelmatig speciale cd's voor het reinigingen van de CD-speler.
18. Bewaar de radio op een droge plaats.

#### Apparaatbeschrijving (Dab Radio):

1. LCD-scherm 2. Preset-knop 3. Vorige / Scan 4. Volgende 5. Volume +/- knop 6. Slaap 7. Selecteer / Sluimeren
8. Menu / Info 9. DAB / FM 10. AAN / UIT 11. Micro-USB 12. Hoofdtelefoonaansluiting van 3,5 mm.

#### Eerste installatie:

1. Zorg ervoor dat het apparaat volledig is opgeladen. Sluit hiervoor het apparaat via de Micro USB-kabel aan op een geschikte stroombron.
2. Houd de aan / uit-knop (10) 2 seconden ingedrukt.
3. De eerste keer dat de DAB Digital Radio
4. Wanneer uw DAB digitale radio de stroomadapter gebruikt, drukt u op de knop POWER (10) om 'aan' en 'stand-by' te schakelen. Koppel de voedingsadapter los om uw digitale radio volledig uit te schakelen.
5. Wanneer uw DAB digitale radio batterijen gebruikt, houdt u de AAN / UIT-knop (10) 2 seconden ingedrukt of schakelt u de schakelaar 'uit'. De DAB-modus wordt gestart. Het zal automatisch zoeken naar de beschikbare radiozenders.

#### DAB / FM-knop

##### Overschakelen naar DAB / FM-modus

1. De eerste keer dat de digitale DAB-radio wordt omgeschakeld, wordt de DAB-modus gestart.
2. Als het apparaat in de DAB-modus staat, drukt u herhaaldelijk op de knop DAB / FM (9) totdat FM op het display wordt weergegeven.
3. Eenmaal in de FM-modus, stemt uw DAB Digital Radio af op het begin van het beschikbare FM-bereik (87,50 MHz) of het laatst genoemde FM-station.
4. Zorg ervoor dat u geen andere submenu's hebt geselecteerd om de FM-frequentie handmatig te wijzigen. Draai aan de TU +/- (om de frequentie met 0,05 MHz te wijzigen).

#### De DAB-weergave-informatie wijzigen

1. Als de DAB Digital Radio in de DAB-modus staat, drukt u op de knop MENU / INFO (8) om verschillende informatie te selecteren die op het display moet worden weergegeven, zoals DLS (Dynamic Label Segment), signaalsterkte, PTY (programmatype), ensemble, frequentie, signaalkwaliteit, bitrate codec, tijd, datum.
2. Als de DAB Digital Radio in FM-modus staat, drukt u op de knop MENU / INFO (8) om verschillende informatie te selecteren die op het display moet worden weergegeven, zoals radiotekst, PTY (programmatype), PS (programmaservice), stereo / mono, tijd, datum.

#### DAB-modus - menu-opties kiezen

1. Als de DAB Digital Radio in de DAB-modus staat, houdt u de knop MENU / INFO (8) ingedrukt om de menulijst te openen. Druk op de knop Volgende / Vorige (3,4) om de optie te selecteren in de lijst met menu's. Stop vervolgens bij de gewenste optie en druk op de knop SELECT (7) om te bevestigen. De menu-opties zijn volledige scan, handmatig afstemmen, DRC, snoeien, systeem.
2. Volledige scan - druk in de menulijst op de knop Volgende / Vorige (3,4) om "Volledige scan" te selecteren in de lijst met menu, druk op de knop SELECT (7) om te bevestigen en de volledige scan start automatisch zodra voltooid, keert de radio terug om de eerder geselecteerde zender of de eerste zender in de zenderlijst af te spelen.



Opmerking: als er geen radiozender is gevonden, wordt "No DAB Station" weergegeven. Voor een betere ontvangst verlengt u de antenne of voert u de volledige scan opnieuw uit op een andere plaats.

3. Handmatig afstemmen - naast de normale scanmethode kunt u ook handmatig afstemmen op een bepaald kanaal / frequentie. Dit kan handig zijn om uw antenne aan te passen voor de best mogelijke ontvangst en om een bepaald kanaal te scannen om de zenderlijst bij te werken. Druk in de menulijst op de knop Volgende / Vorige (3,4) om "Handmatig afstemmen" te selecteren in de lijst met menu's, druk op de knop Selecteren (7) om te bevestigen. Druk vervolgens op de knop Volgende / Vorige (3,4) om een bepaald kanaal / frequentie te selecteren en druk vervolgens op de knop SELECT (7) om de instelling te bevestigen op Het display toont een live indicatie van de sterkte van het ontvangen signaal op de geselecteerde frequentie. Aanpassingen aan uw antenne zullen zich manifesteren in de weergegeven signaalsterkte.

5. Prune - dit verwijdert alle ongediende zenders die in de zenderlijst zijn aangegeven met een '?' voor de zendernaam. Druk in de menulijst op de knop Volgende / Vorige (3,4) om "Snoeien" te selecteren in de lijst met menu, druk op de knop SELECT (7) om te bevestigen. Druk vervolgens op de knop Volgende / Vorige (3,4) om < Ja>, en druk op SELECT (7) om te bevestigen

6.0. Tijd - als er een DAB + -radiosignaal is, zal de machine de tijd automatisch bijwerken, er is geen signaal, kan ook handmatig worden ingesteld.

\* Tijd / datum instellen: uur instellen / minuut / maand instellen / datum instellen> jaar instellen> opgeslagen

\* Auto-update opties: update van Any / update van DAB / update van FM

/ geen update

\* Stel 12/24 uur in: 12 uur / 24 uur

\* Stel de datumnotatie in: DD-MM-JJJJ / MM-DD-JJJJ Doorloop het Tijdmenu door op de knop SELECT (7) te drukken, een bepaalde optie te selecteren en op de knop SELECT (7) te drukken.

6.1. Achtergrondverlichting - dit radiodisplay heeft instelbare achtergrondverlichting. U kunt de time-out van de achtergrondverlichting van uw radio selecteren. Druk in het systeemmenu op de knop Volgende / Vorige (3,4) om "Achtergrondverlichting" te selecteren in de lijst met menu. Druk op de knop SELECTEREN (7) om te bevestigen op 'Hoog', 'Gemiddeld' of 'Laag'.

6.2. Taal - De taal die wordt gebruikt voor berichten op het display kan worden gekozen uit onderstaande opties: Engels | Francais Druk in het systeemmenu op de knop Volgende / Vorige (3,4) om "Taal" te selecteren in de lijst met menu. Druk op de knop SELECT (7) om te bevestigen. Blader door het menu Taal door op de knop Volgende / Vorige (3,4) te drukken, selecteer en stop bij een bepaalde taal. Druk op de knop SELECT (7) om te bevestigen.

6.3. Fabrieksinstellingen herstellen - Met deze functie worden alle door de gebruiker gedefinieerde instellingen gewist en vervangen door de oorspronkelijke standaardwaarden, zodat tijd / datum, voorkeuren / instellingen, DAB-zenderlijst en vooraf ingestelde zenders verloren gaan. Druk in het systeemmenu op de knop Volgende / Vorige (3,4) om "Factory Reset" te selecteren in de lijst met menu's. Druk op de knop SELECT (7) om te bevestigen. Gebruik vervolgens de knop Volgende / Vorige (3,4) om <Ja> te kiezen en druk op de knop SELECT (7) om de fabrieksreset te starten.

6.4. Softwareversie - deze wordt gebruikt om de huidige softwareversie weer te geven.

Druk in het systeemmenu op de knop Volgende / Vorige om "Softwareversie" te selecteren in de lijst met menu's. Druk op de knop SELECT om te bevestigen. Vervolgens wordt de bestaande SW-versie getoond.

FM-modus - menu-opties kiezen

1. Als de DAB Digital Radio in de FM-modus staat, houdt u de knop MENU / INFO (8) ingedrukt om ook de menulijst te openen. Druk op de knop Volgende / Vorige (3,4) om de optie te selecteren in de lijst met menu's. Stop vervolgens bij de gewenste optie en druk op de knop SELECT (7) om te bevestigen. De menu-opties zijn scaninstelling, audio-instelling, systeem.

2. Scaninstelling - standaard stoppen FM-scans op elk beschikbaar station (Alle stations). Dit kan leiden tot audio van slechte kwaliteit van zwakke zenders.

Opties: Alleen sterke zenders / Alle zenders Druk in de menulijst op de knop Volgende / Vorige (3,4) om een bepaalde optie in "Scaninstelling" te selecteren en druk vervolgens op de knop SELECT (7) om de wijziging in de nieuwe instelling te bevestigen. .

3. Audio-instelling - standaard worden alle stereostations in stereo gereproduceerd. Voor zwakke zenders kan dit leiden tot audio van slechte kwaliteit. De audiokwaliteit kan worden verbeterd met mono. Opties: Stereo toegestaan | Geforceerd mono Druk in de menulijst op de knop Volgende / Vorige (3,4) om een bepaalde optie in "Audio-instelling" te selecteren en druk vervolgens op de knop SELECT (7) om de wijziging in de nieuwe instelling te bevestigen. Het zal na 3 seconden automatisch naar een nieuwe instelling veranderen.

PRESET-knop

Stel 20 DAB-zenders en 20 favoriete FM-zenders in

1. Sla een zender op in de voorkeuzelijst - om een zender op te slaan, de gewenste radiozender te selecteren en vervolgens de PRESET (2)-knop een seconde ingedrukt te houden totdat het LCD-scherm "Preset store #: (Leeg)" of #: opgeslagen radiostation".

2. Druk op de knop Volgende / Vorige (3,4) om het gewenste voorkeuzenummer van de zender te selecteren. Druk op de knop SELECT (7) om uw selectie te bevestigen. Op het display verschijnt "Preset # Stored".

Roep een zender uit de lijst met voorkeuzezenders op

1. Om een voorkeuzezender op te roepen, drukt u eenmaal op de knop "PRESET", of draait u aan de knop Volgende / Vorige (3,4) om de voorkeuzezender te selecteren die u hebt opgeslagen. Als het gewenste voorkeuzenummer op het display wordt weergegeven, drukt u op de knop SELECT (7) om te bevestigen.

Opmerking: Als u een preset kiest waaraan geen station is toegewezen, wordt "Leeg" weergegeven.

Volgende / vorige knop

Radiostations of opties kiezen

1. Als de DAB Digital Radio in de DAB-modus staat, drukt u op de knop Volgende / Vorige (3,4) om tijdens het luisteren door de lijst met radiostations te bladeren. Of druk op de knop Volgende / Vorige (3,4) om door de menulijst te bladeren voor opties.

2. Als de DAB Digital Radio in de FM-modus staat, drukt u op de knop Volgende / Vorige (3,4) om de frequentie handmatig aan te passen met 0,05 MHz. Of u kunt de TU +/- (3,4)-knop ingedrukt houden om het station automatisch te scannen. Of druk op de knop Volgende / Vorige (3,4) om door de menulijst te bladeren voor opties.

VOLUME +/- knop

volume aanpassen

Draai aan de volumeknop om het volume te verhogen of te verlagen.

## ALARMEN EN TIMERS INSTELLEN

U kunt twee alarmen instellen, die op een radiozender kunnen afstemmen of één geluid kunnen geven.

Opmerking: alarmen klinken alleen wanneer deze is ingeschakeld of in de standby-modus staat en is aangesloten op een voeding.

Alarmen klinken niet wanneer is uitgeschakeld.

Een alarm instellen

1. Houd de menuknop (8) 2 seconden ingedrukt om het hoofdmenu te bekijken.
2. Draai en druk op de knop Volgende / Vorige (3,4) om 'Systeem' > 'alarm' te selecteren.
3. Druk op de knop Selecteren (7) om de 'Alarm 1-wizard' te wijzigen
4. Druk op de knop Volgende / Vorige (3,4) om de uren en minuten aan te passen en druk op Selecteren (7) om elke sectie te bevestigen.
5. Druk op de knop Selecteren en selecteer 'Bron'.
6. Druk op de knop Volgende / Vorige (3,4) om Zoemer '1', FM 'of' DAB 'te selecteren en druk op de knop Selecteren (7) om te bevestigen.
7. Als u 'Digital Radio' of 'FM' radio hebt gekozen, drukt u op de knop Volgende / Vorige (3,4) om 'Preset' (2) te selecteren. Om het station af te spelen waarnaar u het laatst hebt geluisterd, draait u en drukt u op de draaiknop om 'Laatst beluisterd' te selecteren of draait u en drukt u op de knop Volgende / Vorige (3,4) om een radiostation uit de voorkeuzelijst te kiezen.
- Opmerking: sla deze stap over als u een toonalarm instelt.
8. Druk op de knop Volgende / Vorige (3,4) om 'Dagelijks', 'Eenmalig', 'Weekend' of 'Weekdagen' te selecteren. Druk vervolgens op de knop Selecteren (7) om te bevestigen.
9. Druk op de knop Volgende / Vorige (3,4) en selecteer 'Volume'. Druk op de knop Selecteren (7) om te bevestigen.
10. Draai en druk op Selecteren (7) om 'Alarm' op 'Aan' te zetten.
11. Draai en druk op Selecteren (7) om 'Alarm opgeslagen' te zetten.

De slaaptimer instellen

1. Houd de menuknop 2 seconden ingedrukt om het hoofdmenu te bekijken.
2. Draai en druk op de knop Volgende / Vorige (3,4) om 'Systeem' > 'Slaapstand' te selecteren.
3. Draai en druk op de knop Volgende / Vorige (3,4) om de lengte van de slaaptimer aan te passen.

Een alarm signaal annuleren

Druk op Standby (10) om een alarm signaal te annuleren of druk op Bron om te annuleren en de radio aan te laten.

Een alarm laten sluimeren

Om een alarm te laten sluimeren, drukt u op de knop Selecteren / Sluimeren (7). Het display toont een afteltimer om aan te geven hoe lang het alarm zal sluimeren. Om de hoeveelheid tijd in te stellen waarop het alarm wordt gesluimerd, drukt u op de knop Continuus Select / Snooze (7) om de snooze duur te wijzigen in intervallen van 5 minuten tot 15 minuten en vervolgens 30 minuten. Druk op de knop Standby (10) om een sluimerend alarm te annuleren.

Frequenties Digitaal: Band III 174-240 MHz, FM: 87.5-108 MHz

Ontvangende voeding 5V (1A) DC micro-USB (kabel meegeleverd)

Oplaadbare lithium-ionbatterij (2000 mAh)

Ingangen 5V DC (1A) Micro-USB-voedingsaansluiting

Dit apparaat voldoet aan beschermingsklasse II.

Apparaat voldoet aan de standaardisen betreffende:

- EMC (Electromagnetic Compatibility)

- LVD (Low Voltage Directive) van de Europese Gemeenschap.

Het apparaat is CE-gemarkeerd.



Dit product mag niet samen met het normale huishoudelijke afval worden afgevoerd. U dient dit product bij een voor het recyclen van elektrische of elektronische apparaten aangewezen verzamelplaats in te leveren. Door het separaat inzamelen en recyclen van afvalproducten helpt u mee bij het zuinig omgaan met de natuurlijke hulpbronnen en zorgt u ervoor dat het product op een gezondheids- en milieuvriendelijke manier afgevoerd wordt.

## SLOVENŠČINA

### VARNOSTNE RAZMERE. PREBERITE NAVODILA ZA UPORABO IN JIH SKRBNOSTNO SHRANITE ZA PRIHODNJO UPORABO.

Zaradi pogojev v garanciji, če se naprava uporablja v komercialne namene.

1. Pred uporabo izdelka preberite navodila za uporabo. Proizvajalec ni odgovoren za kakršnokoli škodo zaradi zlorabe izdelka.
2. Izdelek se uporablja samo v zaprtih prostorih. Ne uporabljajte izdelka za kakršenkoli namen, ki ni v skladu z njegovo uporabo.
3. Napetost naprave je 230V-50 Hz. Ne povežite več naprav z eno vtičnico, zaradi varnostnih razlogov.
4. Bodite previdni ko uporabljate izdelek v bližini otrok. Ne pustite, da se otroci igrajo z izdelkom. Ne pustite, da napravo uporabljajo otroci in ljudje, ki niso seznanjeni z navodili za uporabo izdelka.
5. OPOZORILO: To napravo lahko uporabljajo samo otroci, stari nad 8 let, osebe z zmanjšanimi fizičnimi, čutnimi ali duševnimi sposobnostmi ali oseb brez izkušenj ali znanja naprave, lahko napravo uporabljajo samo pod nadzorom osebe, ki je odgovorna za njihovo

varnost, ali če so jim podali navodila na varno uporabo naprave in še zavedajo nevarnosti, povezane z njenim delovanjem. Otroci se naj ne igrajo z napravo. Čiščenje in vzdrževanje naprave naj ne izvajajo otroci, razen če so starejši od 8 let in te dejavnosti izvajajo pod nadzorom osebe, ki je odgovorna za njihovo varnost.

6. Ko boste končali z uporabo izdelka, nežno odstranite vtič iz električne vtičnice. Nikoli ne potegnite za napajalni kabel!

7. Nikoli ne dajate napajalnega kabla, vtiakača ali celotne naprave v vodo. Nikoli ne izpostavljajte izdelka atmosferskim pogojem, kot je neposredna sončna svetloba ali dež, itd... Nikoli ne uporabljajte izdelka v vlažnih pogojih.

8. Redno preverjajte stanje napajalnega kabla. Če je napajalni kabel poškodovan se je potrebno obrniti na pooblaščenega serviserja, da bi se izognili nevarni situaciji.

9. Nikoli ne uporabljajte izdelka z poškodovanim napajalnim kablom ali če se je naprava poškodovala in ne deluje pravilno. Ne poskušajte popraviti poškodovanega izdelka sami, saj lahko privede do električnega udara. Vedno se obrnite na pooblaščenega serviserja.

Popravilo, ki je bilo narejeno nepravilno lahko povzroči nevarne razmere za uporabnika.

10. Nikoli ne dajajte proizvoda na ali blizu vroče ali tople površine ali kuhinjskih aparatov, kot so električna pečica ali plinski gorilnik.

11. Nikoli ne uporabljajte izdelka blizu vnetljivih snovi.

12. Ne dovolite, da kabel visi čez rob.

13. Nikoli ne pustite izdelek, povezan z virom energije brez nadzora. Tudi, ko za kratek čas prekinete uporabo, ga izklopite iz vtičnice.

14. Da se zagotovi dodatna varnost, priporočeno je da se v električnem tokokrogu namesti zaščitna naprava za diferenčni tok (RCD) z nazivnim diferenčnim tokom, ki ne presega 30 mA. Za namestitev naprave se je treba obrniti na strokovnjaka iz področja elektrike.

15. Ne dovolite, da se namaka radio.

16. Radio se lahko obriše s samo suho krpo. Ne uporabljajte vode ali čistilne tekočine.

17. Redno uporabljajo posebne plošče za čiščenje CD predvajalnik.

18. Radio je treba hraniti v suhem prostoru.

Opis naprave (Dab Radio):

1. LCD zaslon 2. Gumb za prednastavitev 3. Prejšnji / Skeniranje 4. Naslednji 5. Gumb za glasnost +/- 6. Spanje 7. Izberite / Preloži 8. Meni / informacije 9. DAB / FM 10. Vklp / izklop napajanja 11. Micro-USB 12. 3,5 mm priključek za slušalke.

Prva namestitvev:

1. Prepričajte se, da je naprava popolnoma napolnjena. To storite tako, da napravo povežete s kablom Micro USB na ustrezen vir napajanja.

2. Pritisnite in držite gumb za vklop (10) 2 sekundi.

3. Prvič digitalni radio DAB

4. Ko vaš digitalni radio DAB uporablja napajalnik, pritisnite gumb POWER (10), da vklopite "vklop" in "pripravljenost". Izklopite napajalnik, da digitalni radio v celoti izklopite.

5. Ko vaš digitalni radio DAB uporablja baterije, pritisnite in držite gumb POWER (10) 2 sekundi ali izklopite stikalo 'off', se bo sprožil način DAB. Samodejno bo poiskal razpoložljive radijske postaje.

DAB / FM gumb

Preklop v način DAB / FM

1. Ko prvič preklopite digitalni radio DAB, zažene način DAB.

2. Če je naprava v načinu DAB, večkrat pritisnite gumb DAB / FM (9), dokler se na zaslonu ne prikaže FM.

3. Ko je v načinu FM, se bo vaš digitalni radio DAB nastavljal na začetek razpoložljivega območja FM (87.50MHz) ali na zadnjo FM postajo na seznamu.

4. Če želite ročno spremeniti frekvenco FM, se prepričajte, da niste izbrali nobenega drugega podmenija. Obrnite TU +/- (če želite spremeniti frekvenco za 0,05 MHz).

Spreminjanje informacij o zaslonu DAB

1. Če je digitalni radio DAB v načinu DAB, pritisnite tipko MENU / INFO (8), da izberete različne informacije za prikaz na zaslonu, na primer DLS (segment dinamičnega nalepka), jakost signala, PTY (vrsta programa), ansambel, frekvenca, kakovost signala, bitnost kodek, čas, datum.

2. Če je digitalni radio DAB v načinu FM, pritisnite tipko MENU / INFO (8), da izberete različne informacije, ki bodo prikazane na zaslonu, na primer radijsko besedilo, PTY (vrsta programa), PS (programska storitev), stereo / mono, čas, datum.

Način DAB - izbira možnosti menija

1. Če je digitalni radio DAB v načinu DAB, pritisnite in držite tipko MENU / INFO (8) za vstop v seznam menijev in pritisnite gumb Next /

Previous (3,4), da izberete možnost s seznama menija. Nato se ustavite pri želeni možnosti in za potrditev pritisnite gumb IZBIRA (7). Možnosti menija so popolno skeniranje, ročna nastavitve, DRC, prune, sistem.

2. Popolno skeniranje - v seznamu menijev pritisnite gumb Naprej / Prej (3,4), da na seznamu izberete »Popolno skeniranje«, za potrditev pritisnite tipko SELECT (7) in popolno skeniranje se začne samodejno dokončano, se radio vrne, da predvaja predhodno izbrano postajo ali prvo postajo na seznamu postaj.  
Opomba: če ni najdene nobene radijske postaje, se prikaže "No DAB Station". Za boljši sprejem anteno podaljšajte ali ponovno skenirajte na drugem mestu.

3. Ročna nastavitve - tako kot običajni način skeniranja lahko tudi ročno nastavite določen kanal / frekvenco. To je lahko koristno za prilagajanje antene za čim boljši sprejem in skeniranje določenega kanala za posodobitev seznama postaj. Na seznamu menijev pritisnite gumb Naprej / Prej (3,4), da izberete »Ročno nastavitve« skozi seznam menija, za potrditev pritisnite gumb Izberi (7). Nato pritisnite gumb Naprej / Prejšnji (3,4), da izberete določen kanal / frekvenco, nato pa za potrditev nastavitve pritisnite gumb SELECT (7). Na zaslonu se v živo izkaže moč prejetega signala na izbrani frekvenci. Prilagoditve antene se bodo pokazale v prikazani jakosti signala.

5. Sliva - s tem je odstranjeno vse neveljavne postaje, ki so na seznamu postaj označene z '?' pred imenom postaje. Na seznamu menijev pritisnite gumb Naprej / Prejšnji (3,4), da na seznamu izberete "Obrezano", za potrditev pritisnite gumb SELECT (7), nato pa gumb Next / Previous (3,4), da izberete <Da> in za potrditev pritisnite gumb SELECT (7)

6.0 Čas - če obstaja kakšen radijski signal DAB +, bo naprava samodejno posodobila čas, signala ni, lahko ga nastavite tudi ročno.

\* Nastavi čas / datum: nastavljena ura / nastavljena minuta / nastavljen mesec / datum nastavitve> leto nastavitve> shranjeno

\* Možnosti samodejne posodobitve: posodobitev od Any / posodobitev od DAB / update od FM

/ brez posodobitve

\* Nastavite 12/24 ure: 12h / 24h

\* Nastavite obliko datuma: DD-MM-LLLL / MM-DD-LLLL Pojdite po meniju Čas s pritiskom gumba SELECT (7), izberite določeno možnost in pritisnite gumb SELECT (7).

6.1. Osvetlitev ozadja - ta radijski zaslon ima osvetlitev ozadja, ki jo je mogoče nastaviti. Izberete lahko čas izklopa osvetlitve zaslona vašega radia. V sistemskem meniju pritisnite gumb Next / Previous (3,4), da na seznamu izberete »Backlight«, pritisnete gumb SELECT (7), da potrdite 'High', 'Medium' ali 'Low'.

6.2. Jezik - Jezik, ki se uporablja za prikazovanje sporočil, lahko izberete med spodnjimi možnostmi: angleščina | Francais V sistemskem meniju pritisnite gumb Next / Previous (3,4), da na seznamu izberete "Language", za potrditev pritisnite gumb SELECT (7). Pojdite skozi meni Jezik s pritiskom na gumb Naprej / Prejšnji (3,4), izberite in se ustavite pri določenem jeziku. Za potrditev pritisnite gumb IZBERI (7).

6.3. Tovarniška ponastavitev - ta funkcija počisti vse nastavitve, ki jih določi uporabnik, in jih nadomesti s prvotnimi privzetimi vrednostmi, zato so čas / datum, nastavitve / nastavitve, seznam postaj DAB in prednastavljene postaje izgubljene. V sistemskem meniju pritisnite gumb Next / Previous (3,4), da na seznamu izberete »Factory Reset« (Ponastavitev na tovarniške nastavitve), za potrditev pritisnite gumb SELECT (7). Nato s tipko Naprej / Prejšnji (3,4) izberite <Da> in pritisnite gumb IZBERI (7), da začnete ponastaviti na tovarne.

6.4. Različica programske opreme - uporablja se za prikaz trenutne različice programske opreme.

V sistemskem meniju pritisnite gumb Naprej / Prej, da na seznamu izberete »Različica programske opreme«. Za potrditev pritisnite gumb IZBERI. Nato se bo prikazala obstoječa različica SW.

Način FM - izbira možnosti menija

1. Če je digitalni radio DAB v načinu FM, pritisnite in držite tipko MENU / INFO (8) za vstop tudi na seznam menijev. Pritisnite gumb Next / Previous (3,4), da na seznamu izberete možnost. Nato se ustavite pri želeni možnosti in za potrditev pritisnite gumb IZBIRA (7). Možnosti menija so nastavitve skeniranja, nastavitve zvoka, sistem.

2. Nastavitve optičnega branja - privzeto se pregledi FM ustavijo na kateri koli razpoložljivi postaji (Vse postaje). To lahko privede do slabe kakovosti zvoka s šibkimi postajami.

Možnosti: Samo močne postaje / Vse postaje Na seznamu menijev pritisnite gumb Naprej / Prej (3,4), da izberete določeno možnost v "Nastavitvi skeniranja", nato pritisnite gumb SELECT (7), da potrdite spremembo nove nastavitve.

3. Zvočna nastavitve - privzeto so vse stereo postaje reproducirane v stereo. Za šibke postaje lahko to povzroči zvok slabe kakovosti. Kakovost zvoka je mogoče izboljšati z uporabo mono. Možnosti: Stereo dovoljen | Močno prisilno V seznamu menijev pritisnite gumb Naprej / Prej (3,4), da izberete določeno možnost v "Nastavitve zvoka", nato pritisnite gumb SELECT (7), da potrdite spremembo nove nastavitve. Po 3 sekundah se samodejno spremeni v novo nastavitve.

Gumb PRESET

Prednastavitve 20 DAB postaj in 20 FM najljubših postaj

1. Shranite postajo na prednastavljeni seznam - če želite shraniti postajo, izbrano zeleno radijsko postajo, nato za sekundo pridržite gumb PRESET (2), dokler se na LCD-prikazovalniku ne prikaže »Preset store #: (Empty)« ali »#: shranjena radijska postaja».

2. Če želite izbrati zeleno prednastavljeno številko postaje, pritisnite gumb Next / Previous (3,4). Pritisnite gumb SELECT (7) za potrditev izbire, na zaslonu pa se prikaže "Preset # Stored".

Priključite postajo s seznama prednastavljenih

3. Če želite priključiti prednastavljeno postajo, enkrat pritisnite gumb »PRESET« ali pa zavrtite gumb Next / Previous (3,4), da izberete shranjeno postajo. Ko se na prikazovalniku prikaže zelena prednastavljena številka, za potrditev pritisnite gumb SELECT (7).

Opomba: Če izberete prednastavitve, ki ni bila dodeljena postaji, se na zaslonu prikaže »Prazno«.

Naslednji / prejšnji gumb

Izbira radijskih postaj ali možnosti

1. Če je digitalni radio DAB v načinu DAB, pritisnite tipko Next / Previous (3,4), da se med poslušanjem pomikate po seznamu radijskih postaj. Ali pritisnite gumb Next / Previous (3,4), da se pomaknete po seznamu menijev za možnosti.

2. Če je digitalni radio DAB v načinu FM, pritisnite gumb Next / Previous (3,4), da ročno nastavite frekvenco za 0,05 MHz. Lahko pa pritisnete in držite gumb TU +/- (3,4), da samodejno skenirate postajo. Ali pritisnite gumb Next / Previous (3,4), da se pomaknete po seznamu menijev za možnosti.

Gumb VOLUME +/-

prilagajanje glasnosti  
Obrnite gumb za glasnost, da povečate ali zmanjšate glasnost.

#### NASTAVITEV ALARMOV IN ČASOV

Nastavite lahko dva alarma, ki lahko nastavita na radijsko postajo ali zvok.

Opomba: Alarmi se oglasijo samo, ko je vklopljen ali v stanju pripravljenosti in ko je priključen na napajanje.

Alarmi se ne oglasijo, ko so izklopljeni.

Nastavitev alarma

1. Za prikaz glavnega menija pritisnite 2 sekundi gumb Menu (8).
2. Obrnite in pritisnite gumb Next / Previous (3,4), da izberete 'System' > 'alarm'.
3. Pritisnite gumb Select (7), da spremenite čarovnika za alarm 1
4. Če želite prilagoditi ure in minute, pritisnite gumb Next / Previous (3,4), za potrditev vsakega odseka pritisnite Select (7).
5. Pritisnite gumb za izbiro, izberite "Vir".
6. Pritisnite gumb Next / Previous (3,4), da izberete Buzzer ' ', FM 'ali' DAB ', nato za potrditev pritisnite gumb Select (7).
7. Če ste izbrali radio "Digital Radio" ali "FM", pritisnite gumb Next / Previous (3,4), da izberete "Preset" (2). Če želite prevajati postajo, ki ste jo nazadnje poslušali, obrnite in pritisnite izbirni gumb, da izberete "Zadnje poslušanje" ali obrnite in pritisnite gumb Naprej / Prej (3,4), da na seznamu izberete radijsko postajo.
- Opomba: Preskočite ta korak, če nastavite alarm.
8. Pritisnite gumb Next / Previous (3,4), da izberete "Daily", "Enkrat", "Weekends" ali "Weekdays". nato za potrditev pritisnite gumb Izberi (7).
9. Pritisnite gumb Next / Previous (3,4) in izberite "Volume". Pritisnite gumb za izbiro (7) za potrditev.
10. Obrnite in pritisnite Select (7), da "Alarm" preklopite na "On".
11. Obrnite in pritisnite Izberi (7), da "Alarm shranjen".

Nastavitev časovnika mirovanja

1. Za prikaz glavnega menija pritisnite 2 sekundi gumb.
2. Obrnite in pritisnite gumb Next / Previous (3,4), da izberete 'System' > 'Sleep'.
3. Obrnite in pritisnite gumb Next / Previous (3,4), da nastavite dolžino časovnika za spanje.

Preklic zvočnega alarma

Pritisnite Stanje pripravljenosti (10) za preklic zvočnega alarma ali pritisnite Vir, če želite preklicati in pustiti radio vklopljen.

Zaustavitev zvočnega alarma

Če želite odložiti zvočni alarm, pritisnite gumb za izbiro / dremež (7). Na prikazovalniku se prikaže odštevalni čas, ki prikazuje, koliko časa bo alarm odložen. Če želite prilagoditi čas odloga alarma, pritisnite gumb neprekinjeno izbiranje / dremež (7), da spremenite trajanje dremeža v 5-minutnih intervalih do 15 minut in nato 30 minut. Če želite preklicati alarm dremeža, pritisnite gumb pripravljenosti (10).

Digitalne frekvence: III. Frekvenčni pas 174-240 MHz, FM: 87.5-108 MHz

Sprejem napajalnika 5 V (1A) DC mikro-USB (priložen kabel)

Litij-ionska polnilna baterija (2000 mAh)

Vhodi 5V DC (1A) vtičnica za mikro-USB

- Naprava spada v II izolacijski razred.
- Naprava je skladna z direktivami EU:
  - O nizki napetosti (LVD)
  - Elektromagnetski kompatibilnosti (EMC)
  - Naprava ima CE oznako na tipski ploščici



Zaščita okolja. Prosimo ločite kartonske škatle od plastičnih vreč ter jih odvrzite v primerne koše za smeti. Odslužene naprave zavržite v zbirne centre zaradi nevarnih komponent, ki lahko ogrožajo okolje. Naprave ne zavržite v navaden koš za smeti.

## РУССКИЙ

### ОБЩИЕ УСЛОВИЯ БЕЗОПАСНОСТИ. ВАЖНАЯ ИНФОРМАЦИЯ ПО БЕЗОПАСНОСТИ. ВНИМАТЕЛЬНО ПРОЧИТАТЕ И СОХРАНИТЕ.

Условия гарантии другие, если устройство используется в коммерческих целях.

1. До начала употребления устройства прочитать инструкцию обслуживания и действовать по указаниям содержащимся в ней. Производитель не несёт ответственность за вред причиненный употреблением устройства не в соответствии с его предназначением или его несоответствующим обслуживанием.

2. Устройство служит только для домашнего употребления. Не употреблять с другой целью, не в соответствии с его предназначением.

3. Устройство надо подключить только к гнезду 230 В ~ 50 Гц. Для повышения безопасности употребления, к одной цепи тока не надо одновременно включать многие электрические устройства.

4. Надо соблюдать особенную осторожность во время употребления устройства, когда вблизи находятся дети. Не надо допускать детей к развлечениям с устройством, не разрешай ни детям ни лицам не знакомым с устройством на употребление его.

5. Устройство не предназначено для употребления лицами (в том числе детьми) с ограниченной физической способностью, способностью к ощущению или умственной способностью или с отсутствием опыта или знакомления с устройством, разве, что



- это происходит при надзоре лица ответственного за их безопасность и в соответствии с инструкцией употребления устройства.
6. Всегда после окончания употребления, удалите штепсель из питающего гнезда придерживая гнездо рукой. НЕ тянуть за сетевой кабель.
  7. Не погружай кабель, штепсель, также всё устройство в воду или другой жидкости. Не выставляй устройство на действие атмосферных условий (дождя, солнца и пр.), не употребляй при условиях повышенной влажности (ванные комнаты, влажные летние домики).
  8. Периодически проверяй состояние питающего провода. Если питающий провод повреждён, его должна заменить специализированная ремонтная мастерская для избегания угрозы.
  9. Не употребляй устройство с повреждённым питающим проводом или когда оно упало или было повреждено каким-нибудь другим образом или оно неправильно работает. Не осуществляй ремонт устройства самостоятельно, так как это угрожает поражением током. Повреждённое устройство передай в соответствующую сервисную точку для проверки или осуществления ремонта. Все ремонты могут осуществлять только сервисные точки, у которых на это право. Неправильно осуществлённый ремонт может причинить серьёзную угрозу для пользователя.
  10. Надо устанавливать устройство на холодной, устойчивой, ровной поверхности, далеко нагреваемой кухонной техники такой как: электрическая плита, газовая горелка и др.
  11. Не употреблять устройство вблизи легковоспламеняющихся материалов.
  12. Провод питания не может висеть за краем стола или соприкасаться к горячим поверхностям.
  13. Не оставляй устройство включенное в гнездо без надзора.
  14. Для дополнительной защиты рекомендуется установить в сети устройство защитного отключения (УЗО) с номинальным дифференциальным током не более 30 мА. Для установки, пожалуйста, обратитесь к квалифицированному электрику.
  15. Не допускать намокания радиоприемника.
  16. Можно протирать радио только сухой ветошью. Не используйте воду или жидкости для очистки.
  17. Следует регулярно использовать специальные диски для очистки CD-проигрывателя.
  18. Радиоприемник следует хранить в сухом помещении.

Описание устройства (Dab Radio):

1. ЖК-дисплей 2. Кнопка предварительной настройки 3. Предыдущая / Сканирование 4. Следующая 5. Кнопка громкости +/- 6. Спящий режим 7. Выбор / Повтор
8. Меню / информация 9. DAB / FM 10. Включение / выключение питания 11. Micro-USB 12. Разъем для наушников 3,5 мм.

Первая настройка:

1. Убедитесь, что устройство полностью заряжено. Для этого подключите устройство с помощью кабеля Micro USB к подходящему источнику питания.
2. Нажмите и удерживайте кнопку питания (10) в течение 2 секунд.
3. Первое время цифровое радио DAB
4. Когда цифровое радио DAB использует адаптер питания, нажмите кнопку ПИТАНИЕ (10), чтобы включить и включить режим ожидания. Отключите адаптер питания, чтобы полностью отключить цифровое радио.
5. Когда ваше цифровое радио DAB использует батарейки, нажмите и удерживайте кнопку ПИТАНИЕ (10) в течение 2 секунд или выключите выключатель, он запустит режим DAB. Он автоматически начнет поиск доступных радиостанций.

Кнопка DAB / FM

Переключение в режим DAB / FM

1. При первом переключении цифрового радио DAB он запускает режим DAB.
2. Если устройство находится в режиме DAB, нажимайте кнопку DAB / FM (9), пока на дисплее не отобразится FM.
3. В режиме FM цифровое радио DAB настроится на начало доступного диапазона FM (87,50 МГц) или на последнюю FM-станцию в списке.
4. Чтобы вручную изменить частоту FM, убедитесь, что вы не выбрали никаких других подменю. Поверните TU +/- (чтобы изменить частоту на 0,05 МГц).

Изменение информации отображения DAB



1. Если цифровое радио DAB находится в режиме DAB, нажмите кнопку MENU / INFO (8), чтобы выбрать другую информацию для отображения на дисплее, такую как DLS (сегмент динамической метки), уровень сигнала, PTY (тип программы), ансамбль, частота, качество сигнала, битовый кодек, время, дата.
2. Если цифровое радио DAB находится в режиме FM, нажмите кнопку MENU / INFO (8), чтобы выбрать другую информацию для отображения на дисплее, такую как радиотекст, PTY (тип программы), PS (служба программ), стерео / моно, время, дата.

#### Режим DAB - выбор пунктов меню

1. Если цифровое радио DAB находится в режиме DAB, нажмите и удерживайте кнопку MENU / INFO (8), чтобы войти в список меню. Нажмите кнопку Next / Previous (3,4), чтобы выбрать опцию в списке меню. Затем остановитесь на выбранном вами параметре и нажмите кнопку SELECT (7) для подтверждения. Опции меню: полное сканирование, ручная настройка, DRC, обрезка, система.
2. Полное сканирование - в списке меню нажмите кнопку «Следующий / Предыдущий» (3,4), чтобы выбрать «Полное сканирование» в списке меню, нажмите кнопку «SELECT» (7) для подтверждения, и полное сканирование начнется автоматически. После завершения радио возвращается к воспроизведению ранее выбранной станции или первой станции в списке станций. Примечание: если радиостанция не найдена, отображается «Нет станции DAB». Для лучшего приема вытяните антенну или снова выполните полное сканирование в другом месте.
3. Ручная настройка - как и при обычном методе сканирования, вы также можете вручную настроиться на определенный канал / частоту. Это может быть полезно для настройки вашей антенны для достижения наилучшего возможного приема и сканирования определенного канала для обновления списка станций. В списке меню нажмите кнопку «Далее / Назад» (3,4), чтобы выбрать «Ручная настройка» в списке меню, нажмите кнопку «Выбрать» (7) для подтверждения. Затем нажмите кнопку «Next / Previous» (3,4), чтобы выбрать конкретный канал / частоту, а затем нажмите кнопку «SELECT» (7), чтобы подтвердить настройку. На дисплее отобразится индикация уровня принимаемого сигнала на выбранной частоте. Настройки вашей антенны будут отражены в показании уровня принимаемого сигнала.

5. Удалять - удаляет все недействительные станции, указанные в списке станций со знаком «?». перед названием станции. В списке меню нажмите кнопку «Далее / Назад» (3,4), чтобы выбрать «Сокращения» в списке меню, нажмите кнопку «SELECT» (7), чтобы подтвердить выбор. Затем нажмите кнопку «Далее / Назад» (3,4), чтобы выбрать < Да> и нажмите кнопку SELECT (7) для подтверждения

6.0. Время - если есть какой-либо радиосигнал DAB +, аппарат автоматически обновит время, сигнал отсутствует, его также можно установить вручную.

\* Установить время / дату: установить часы / установить минуты / установить месяц / установить дату> установить год> сохранено

\* Параметры автообновления: обновление с любого / обновление с DAB / обновление с FM

/ без обновления

\* Установите 12/24 часа: 12 часов / 24 часа

\* Установите формат даты: ДД-ММ-ГГГГ / ММ-ДД-ГГГГ Циклически перемещаясь по меню времени, нажмите кнопку SELECT (7), выберите конкретную опцию и нажмите кнопку SELECT (7), чтобы изменить ее.

6.1. Подсветка - у этого радио-дисплея есть подсветка, которая может регулироваться. Вы можете выбрать время выключения подсветки дисплея вашего радио. В системном меню нажмите кнопку «Следующая / Предыдущая» (3,4), чтобы выбрать «Подсветка» в списке меню, нажмите кнопку «ВЫБОР» (7), чтобы подтвердить «Высокий», «Средний» или «Низкий».

6.2. Язык - язык, используемый для отображения сообщений, можно выбрать из следующих вариантов: английский | Français В системном меню нажмите кнопку «Next / Previous» (3,4), чтобы выбрать «Language» в списке меню, нажмите кнопку «SELECT» (7) для подтверждения. Прокрутите меню «Язык», нажав кнопку «Далее / Назад» (3,4), выберите и остановитесь на определенном языке, нажмите кнопку «SELECT» (7) для подтверждения.

6.3. Сброс к заводским настройкам - эта функция очищает все пользовательские настройки, заменяя их исходными значениями по умолчанию, поэтому время / дата, предпочтения / настройки, список станций DAB и предустановленные станции теряются. В системном меню нажмите кнопку «Далее / Назад» (3,4), чтобы выбрать «Factory Reset» в списке меню, нажмите кнопку «SELECT» (7), чтобы подтвердить выбор. Затем с помощью кнопки «Далее / Назад» (3,4) выберите «Да» и нажмите кнопку «SELECT» (7), чтобы начать сброс настроек к заводским.

6.4. Версия программного обеспечения - используется для отображения текущей версии программного обеспечения.

В системном меню нажмите кнопку «Следующая / Предыдущая», чтобы выбрать «Версия ПО» в списке меню, нажмите кнопку «ВЫБОР» для подтверждения. Затем будет показана существующая версия ПО.

#### Режим FM - выбор пунктов меню

1. Если цифровое радио DAB находится в режиме FM, нажмите и удерживайте кнопку MENU / INFO (8), чтобы войти в список меню. Нажмите кнопку «Следующая / Предыдущая» (3,4), чтобы выбрать опцию в списке меню. Затем остановитесь на выбранной вами опции и нажмите кнопку SELECT (7) для подтверждения. Опции меню: настройка сканирования, настройка звука, система.
2. Настройка сканирования - по умолчанию сканирование FM останавливается на любой доступной станции (Все станции). Это может привести к низкому качеству звука от слабых станций. Опции: Только сильные станции / Все станции В списке меню нажмите кнопку «Далее» / «Предыдущий» (3,4), чтобы выбрать определенный параметр в «Настройках сканирования», затем нажмите кнопку «ВЫБОР» (7), чтобы подтвердить изменение новой настройки.
3. Настройка звука - по умолчанию все стереостанции воспроизводятся в стереофоническом режиме. Для слабых станций это может привести к низкому качеству звука. Качество звука можно улучшить с помощью моно. Опции: Стерео разрешено | Принудительное моно В списке меню нажмите кнопку «Далее / Назад» (3,4), чтобы выбрать конкретную опцию в «Настройках звука», затем нажмите кнопку «SELECT» (7), чтобы подтвердить изменение новой настройки. Он автоматически изменится на новый параметр через 3 секунды.

#### Кнопка PRESET

Предустановка 20 станций DAB и 20 любимых радиостанций FM

1. Сохраните станцию в списке предустановок - чтобы сохранить станцию, выберите нужную радиостанцию, затем нажмите и удерживайте кнопку PRESET (2) в течение секунды, пока на ЖК-дисплее не отобразится «Preset store # : (Empty)», или « # : сохраненная радиостанция ».
2. Либо нажмите кнопку «Следующая / Предыдущая» (3,4), чтобы выбрать нужный номер предустановки радиостанции, нажмите кнопку «SELECT» (7), чтобы подтвердить свой выбор, на дисплее отобразится «Preset # Stored».

Вызов станции из списка предустановок.

1. Чтобы вызвать предварительно настроенную радиостанцию, нажмите кнопку «PRESET» один раз, либо поверните кнопку «Следующая / Предыдущая» (3,4), чтобы выбрать предварительно сохраненную станцию. Когда на дисплее отобразится нужный номер предустановки, нажмите кнопку SELECT (7) для подтверждения.

Примечание. Если вы выберете пресет, который не был назначен радиостанции, появится сообщение «Пусто».

Кнопка «Следующая / Предыдущая»

Выбор радиостанций или опций

1. Если цифровое радио DAB находится в режиме DAB, нажмите кнопку «Следующая / Предыдущая» (3,4) для просмотра списка радиостанций во время прослушивания. Или нажмите кнопку «Следующая / Предыдущая» (3,4), чтобы просмотреть список параметров меню.

2. Если цифровое радио DAB находится в режиме FM, нажмите кнопку «Следующая / Предыдущая» (3,4), чтобы вручную настроить частоту на 0,05 МГц. Или вы можете нажать и удерживать кнопку TU +/- (3,4) для автоматического сканирования станции. Или нажмите кнопку «Следующая / Предыдущая» (3,4), чтобы просмотреть список параметров меню.

Кнопка VOLUME +/-

регулировка громкости

Поверните регулятор громкости, чтобы увеличить или уменьшить громкость.

## УСТАНОВКА СИГНАЛОВ И ТАЙМЕРОВ

Вы можете установить два будильника, которые могут настроиться на радиостанцию или отключить звук.

Примечание. Сигналы звучат только тогда, когда они включены или находятся в режиме ожидания и подключены к источнику питания.

Аварийные сигналы не звучат при выключении.

Установка будильника

1. Нажмите и удерживайте кнопку меню (8) в течение 2 секунд, чтобы открыть главное меню.
  2. Поверните и нажмите кнопку «Следующая / Предыдущая» (3,4), чтобы выбрать «Система» > «Будильники».
  3. Нажмите кнопку выбора (7), чтобы изменить «Мастер тревоги 1»
  4. Нажав кнопку «Следующая / Предыдущая» (3,4), чтобы настроить часы и минуты, нажмите «Выбрать» (7), чтобы подтвердить каждый раздел.
  5. Нажмите кнопку Выбрать, выберите «Источник».
  6. Нажмите кнопку «Следующая / Предыдущая» (3,4), чтобы выбрать «Зуммер», «FM» или «DAB», затем нажмите кнопку «Выбрать» (7) для подтверждения.
  7. Если вы выбрали радио «Цифровое радио» или «FM», нажмите кнопку «Следующая / Предыдущая» (3,4), чтобы выбрать «Предварительная установка» (2). Для воспроизведения станции, которую вы в последний раз слушали, поверните и нажмите диск выбора, чтобы выбрать «Последний прослушанный», или поверните и нажмите кнопку «Далее / Предыдущий» (3,4), чтобы выбрать радиостанцию из списка предустановок.
- Примечание: пропустите этот шаг, если вы устанавливаете тональный сигнал.
8. Нажмите кнопку «Следующая / Предыдущая» (3,4), чтобы выбрать «Ежедневно». «Один раз». «Выходные» или «Будние дни». затем нажмите кнопку выбора (7) для подтверждения.
  9. Нажмите кнопку «Следующая / Предыдущая» (3,4) и выберите «Громкость». Нажмите кнопку выбора (7) для подтверждения.
  10. Поверните и нажмите Select (7), чтобы включить «Alarm» на «On».
  11. Поверните и нажмите «Выбрать» (7), чтобы включить «Сохранение тревоги».

Установка таймера сна

1. Нажмите и удерживайте кнопку меню в течение 2 секунд, чтобы открыть главное меню.
2. Поверните и нажмите кнопку «Следующая / Предыдущая» (3,4), чтобы выбрать «Система» > «Спящий режим».
3. Поверните и нажмите кнопку «Следующая / Предыдущая» (3,4), чтобы настроить длительность таймера отключения.

Отмена звучащей тревоги

Нажмите Standby (10), чтобы отменить любой звуковой сигнал, или нажмите Source, чтобы отменить и оставить радио

включенным.

Дремлет звучащий сигнал тревоги

Чтобы отложить звуковой сигнал, нажмите кнопку «Выбрать / Отложить» (7). На дисплее отобразится таймер обратного отсчета, чтобы показать, как долго будет звучать будильник. Чтобы отрегулировать время, в течение которого будильник будет откладываться, нажмите кнопку непрерывного выбора / повторения (7), чтобы изменить продолжительность повтора с 5-минутными интервалами до 15 минут, а затем до 30 минут. Чтобы отменить дремлющий будильник, нажмите кнопку режима ожидания (10).

Цифровые частоты: полоса III 174–240 МГц, FM: 87,5–108 МГц

Блок питания 5В (1А) постоянного тока micro-USB (кабель в комплекте)

Литий-ионная аккумуляторная батарея (2000 мАч)

Входы 5V DC (1A) Разъем питания Micro-USB

Устройство имеет II класс изоляции и не требует заземления.

Устройство отвечает требованиям директив ЕС:

- Электрический прибор низкого напряжения (LVD).
  - Директива по электромагнитной совместимости (EMC).
- Прибор маркирован знаком соответствия ЕС.



Заботясь об окружающей среде.. Упаковку из картона передайте, пожалуйста, на макулатуру. Полиэтиленовые мешки (PE) выкидать в резервуар для пластмассы. Изношенное устройство надо передать в соответствующую точку хранения, так как находящиеся в устройстве опасные составляющие могут являться угрозой для окружающей среды. Электрическое устройство надо передать таким образом, чтобы ограничить его повторное употребление и использование. Если в устройстве находятся батареи, их надо вытянуть и передать в точку хранения отдельно. Устройство не выкидать в резервуар для коммунальных отходов!

## SIGURNOSNI UVJETI VAŽNE UPUTE O SIGURNOSTI UPORABE MOLIMO VAS DA PROČITAJTE I ČUVAJTE ZA BUDUĆE REFERENCE

Uvjeti jamstva se razlikuju, ako se uređaj koristi u komercijalne svrhe.

1. Prije uporabe proizvoda pažljivo pročitajte i uvijek se pridržavajte sljedećih uputa. Proizvođač nije odgovoran za bilo kakvu štetu nastalu zbog zlouporabe.
2. Proizvod se smije koristiti samo u zatvorenim prostorima. Nemojte koristiti proizvod za bilo koju svrhu koja nije kompatibilna s njegovom primjenom.
3. Primjenjivi napon je 230V, ~ 50Hz. Iz sigurnosnih razloga nije prikladno priključiti više uređaja na jednu utičnicu.
4. Budite oprezni kada koristite djecu. Nemojte dopustiti djeci da se igraju s proizvodom. Ne dopustite djeci ili osobama koje ne poznaju uređaj da ga koriste bez nadzora.
5. **UPOZORENJE:** Ovaj uređaj mogu koristiti djeca starija od 8 godina i osobe sa smanjenim fizičkim, osjetilnim ili mentalnim sposobnostima ili osobe bez iskustva ili znanja o uređaju, samo pod nadzorom osobe odgovorne za njihovu sigurnost, ili ako su poučeni o sigurnom korištenju uređaja i koji su svjesni opasnosti povezanih s njegovim radom. Djeca se ne smiju igrati s uređajem. Čišćenje i održavanje uređaja ne smiju izvoditi djeca, osim ako su starija od 8 godina i ove aktivnosti se provode pod nadzorom.
6. Nakon što završite s korištenjem proizvoda, uvijek imajte na umu da lagano izvadite utikač iz utičnice koja drži utičnicu rukom. Nikada ne povlačite strujni kabel !!!
7. Nikada ne stavljajte kabel za napajanje, utikač ili cijeli uređaj u vodu. Nikada ne izlažite proizvod atmosferskim uvjetima kao što je izravna sunčeva svjetlost ili kiša itd. Nikada ne koristite proizvod u vlažnim uvjetima.
8. Periodično provjerite stanje kabela za napajanje. Ako je kabel za napajanje oštećen, proizvod treba okrenuti u profesionalni servisni prostor koji treba zamijeniti kako bi se izbjegla opasna situacija.
9. Nikad nemojte koristiti proizvod s oštećenim kablom za napajanje ili ako je ispušten ili na bilo koji drugi način oštećen ili ako ne radi ispravno. Ne pokušavajte sami popraviti oštećeni proizvod jer to može dovesti do strujnog udara. Oštećeni uređaj uvijek okrecite na profesionalnu servisnu lokaciju kako biste ga popravili. Sve popravke mogu obavljati samo ovlašteni serviseri. Neispravan popravak može uzrokovati opasne situacije za korisnika.
10. Nikad ne stavljajte proizvod na vruće ili tople površine ili u kuhinjske uređaje kao što je električna pećnica ili plinski plamenik.
11. Nikada nemojte koristiti proizvod u blizini zapaljivih tvari.
12. Ne dopustite da kabel visi preko ruba pulta ili dodirnete vruće površine.
13. Nikad ne ostavljajte proizvod spojen na izvor napajanja bez nadzora. Čak i kada je uporaba prekinuta na kratko, isključite je iz mreže, isključite napajanje.
14. Da bi se osigurala dodatna zaštita, preporučuje se u strujnom krugu ugraditi uređaj za zadržavanje struje (RCD) s preostalom strujnom snagom ne većom od 30 mA. Obratite se profesionalnom električaru u ovom slučaju.
15. Izbjegavajte da mokri radio.
16. Radio se može obrisati samo suhom krpom. Nemojte koristiti vodu ili tekućine za čišćenje.
17. Redovito koristite posebne diskove za čišćenje CD playera.
18. Radio treba čuvati u suhoj prostoriji.

Opis uređaja (Dab Radio):

1. LCD zaslon
2. Gumb za prethodno podešavanje
3. Prethodno / Skeniranje
4. Sljedeće
5. Tipka glasnoće +/-
6. Sleep
7. Odaberite / Odgodi
8. Izbornik / Informacije
9. DAB / FM
10. Uključivanje / Isključivanje napajanja
11. Micro-USB
12. Priključak za slušalice 3,5 mm.

Prvo postavljanje:

1. Provjerite je li uređaj potpuno napunjen. Za to spojite uređaj mikro USB kablom na odgovarajući izvor napajanja.

2. Pritisnite i držite gumb za napajanje (10) 2 sekunde.
3. Prvi put DAB Digital Radio
4. Kad vaš DAB Digital Radio koristi adapter za napajanje, pritisnite tipku POWER (10) za uključivanje "uključeno" i "pripravno". Odspojite mrežni adapter da biste u potpunosti isključili svoj Digital Radio.
5. Kada vaš DAB digitalni radio koristi baterije, pritisnite i držite tipku POWER (10) dvije sekunde ili isključite prekidač "off", pokrenut će se DAB način rada. Automatski će tražiti dostupne radio stanice.

#### DAB / FM tipka

##### Prelazak na način DAB / FM

1. Prvi put kad se uključi DAB Digital Radio, pokrenut će DAB način rada.
2. Ako je uređaj u načinu rada DAB, pritisnite tipku DAB / FM (9) nekoliko puta dok se na zaslonu ne prikaže FM.
3. Nakon što je u režimu FM, vaš DAB Digital Radio prilagodit će se startu raspoloživog FM raspona (87,50MHz) ili posljednjoj popisanoj FM postaji.
4. Da biste ručno promijenili FM frekvenciju, provjerite niste li odabrali nijedan drugi podizbornik. Zakrenite TU +/- (za promjenu frekvencije na 0,05MHz).

##### Promjena podataka o DAB zaslonu

1. Ako je digitalni radio DAB u načinu rada DAB, pritisnite tipku MENU / INFO (8) za odabir različitih informacija koje će se prikazati na zaslonu, kao što su DLS (segment dinamičke oznake), jačina signala, PTY (vrsta programa), ansambl, frekvencija, kvaliteta signala, bit rate kodek, vrijeme, datum.
2. Ako je digitalni radio DAB u režimu FM, pritisnite tipku MENU / INFO (8) za odabir različitih informacija za prikaz na zaslonu, poput radio teksta, PTY (vrsta programa), PS (programska usluga), stereo / mono, vrijeme, datum.

##### DAB način rada - odabir opcija izbornika

1. Ako je digitalni radio DAB u načinu rada DAB, pritisnite i držite tipku MENU / INFO (8) za ulazak u popis izbornika. Pritisnite gumb Sljedeće / Prethodno (3,4) za odabir opcije kroz popis izbornika. Zatim se zaustavite na željenoj mogućnosti i pritisnite gumb IZBOR (7) za potvrdu. Opcije izbornika su potpuno skeniranje, ručno podešavanje, DRC, prune, sustav.
2. Potpuno skeniranje - u popisu izbornika pritisnite tipku Sljedeće / Prethodno (3,4) da biste kroz popis izbornika odabrali opciju "Potpuno skeniranje", Pritisnite gumb SELECT (7) za potvrdu i potpuno skeniranje pokreće se automatski. Nakon što skeniranje bude dovršeno, radio se vraća za reprodukciju prethodno odabrane stanice ili prve stanice na popisu stanica. Napomena: ako nije pronađena nijedna radio stanica, prikazuje se "Nema DAB stanice". Za bolji prijam, produžite antenu ili ponovite potpuno skeniranje na drugom mjestu.
3. Ručno podešavanje - kao i uobičajena metoda skeniranja, možete ručno prilagoditi određeni kanal / frekvenciju. Ovo može biti korisno za podešavanje antene za postizanje najboljeg mogućeg prijema i skeniranje određenog kanala radi ažuriranja popisa stanica. Na popisu izbornika pritisnite gumb Sljedeće / Prethodno (3,4) da biste odabrali "Ručno podešavanje" kroz popis izbornika, pritisnite gumb za odabir (7) za potvrdu. Zatim pritisnite tipku Sljedeće / Prethodno (3,4) za odabir određenog kanala / frekvencije, a zatim pritisnite tipku SELECT (7) za potvrdu postavke na zaslonu. Na zaslonu se prikazuje živa indikacija jačine primljenog signala na odabranoj frekvenciji. Podešavanja antene očitovat će se u prikazanoj jačini signala.

5. Šljiva - to uklanja sve nevažeće stanice označene na popisu stanica Sa '?' ispred naziva stanice. U popisu izbornika pritisnite tipku Sljedeće / Prethodno (3,4) da biste kroz popis izbornika odabrali opciju "Okretanje", potvrdite gumb SELECT (7) za potvrdu. Zatim pritisnite gumb Sljedeće / Prethodno (3,4) za odabir < Da> i pritisnite tipku SELECT (7) za potvrdu

- 6.0. Vrijeme - ako postoji bilo koji DAB + radio signal, stroj će automatski ažurirati vrijeme, nema signala, može se postaviti i ručno.

\* Postavite vrijeme / datum: postavljen sat / zadana minuta / zadani mjesec / datum postavljanja> godina podešavanja> spremjeno

\* Opcije automatskog ažuriranja: ažuriranje s Bilo kojeg / ažuriranje s DAB / ažuriranje s FM-a

/ nema ažuriranja

\* Postavite 12/24 sata: 12h / 24h

\* Podesite format datuma: DD-MM-GGGG / MM-DD-GGGG Klikni kroz izbornik Vrijeme pritiskom gumba SELECT (7), odaberite određenu opciju i pritisnite SELECT (7) promjene gumba.

- 6.1. Pozadinsko osvetljenje - ovaj radio zaslon ima pozadinsko osvetljenje koje se može podesiti. Možete odabrati vrijeme van pozadinskog osvetljenja zaslona vašeg radija. U izborniku sustava pritisnite tipku Sljedeće / Prethodno (3,4) za odabir "Pozadinsko osvetljenje" kroz popis izbornika. Pritisnite gumb IZBOR (7) da biste potvrdili na "Visoko", "Srednje" ili "Nisko".

- 6.2. Jezik - Jezik koji se koristi za prikaz poruka može se odabrati iz sljedećih opcija: Engleski | Francais U izborniku sustava pritisnite tipku Next / Previous (3,4) za odabir "Language" kroz popis izbornika. Pritisnite tipku SELECT (7) za potvrdu. Krenite kroz izbornik Jezik pritiskom na tipku Sljedeće / Prethodno (3,4), odaberite i zaustavite se na određenom jeziku. Pritisnite tipku IZBOR (7) za potvrdu.

- 6.3. Tvorničko resetiranje - Ova funkcija briše sve korisnički definirane postavke, zamjenjujući ih s izvornim zadanim vrijednostima, tako da su izgubljeni vrijeme / datum, postavke / postavke, popis DAB postaja i unaprijed postavljene stanice. U izborniku sustava pritisnite tipku Sljedeće / Prethodno (3,4) za odabir "Factory Reset" (Poništavanje tvorničkih postavki) kroz popis izbornika, a za potvrdu pritisnite gumb SELECT (7). Zatim pomoću gumba Sljedeće / Prethodno (3,4) odaberite <Da> i pritisnite gumb IZBOR (7) da biste pokrenuli tvorničko resetiranje.

- 6.4. Verzija softvera - koristi se za prikaz trenutne verzije softvera.

U izborniku sustava pritisnite gumb Sljedeće / Prethodno da biste na popisu izbornika odabrali "Verzija softvera". Pritisnite tipku IZBOR za potvrdu. Potom će se prikazati postojeća SW verzija.

##### FM način - odabir opcija izbornika

1. Ako je digitalni radio DAB u režimu FM, pritisnite i držite tipku MENU / INFO (8) da biste ušli i na popis izbornika. Pritisnite tipku Sljedeće / Prethodno (3,4) za odabir opcije kroz popis izbornika. Zatim se zaustavite na željenoj mogućnosti i pritisnite gumb IZBOR (7) za potvrdu. Opcije izbornika su postavke skeniranja, postavke zvuka, sustav.

2. Postavka skeniranja - zadano se FM skeniranje zaustavlja na bilo kojoj dostupnoj postaji (Sve stanice). To može rezultirati nekalitetnim zvukom slabih postaja.

Opcije: Samo jake stanice / Sve stanice U popisu izbornika pritisnite tipku Sljedeće / Prethodno (3,4) da biste odabrali određenu opciju u

"Postavke skeniranja", a zatim pritisnite gumb SELECT (7) da potvrdite promjenu na novu postavku ,  
3. Zvučna postavka - zadano su sve stereo stanice reproducirane u stereo. Za slabe stanice to može rezultirati zvukom loše kvalitete. Kvaliteta zvuka može se poboljšati mono. Opcije: Stereo je dopušten | Mono mono U popisu izbornika pritisnite tipku Next / Previous (3,4) da biste odabrali određenu opciju u "Audio postavci", a zatim pritisnite gumb SELECT (7) za potvrdu promjene nove postavke. Automatski će se prebaciti na novu postavku nakon 3 sekunde.

## Gumb PRESET

Unaprijed postavljene 20 DAB postaja i 20 FM omiljenih stanica

1. Spremite postaju na prethodno podešen popis - da biste pohranili postaju, odabranu željenu radio stanicu, zatim pritisnite i držite pritisnutu tipku PRESET (2) sve dok se na LCD zaslonu ne prikaže "Preset store #: (Empty)" ili "#: spremjena radio stanica".
2. Pritisnite gumb Next / Previous (3,4) za odabir željenog broja postaje, pritisnite gumb SELECT (7) za potvrdu odabira, na zaslonu će se prikazati "Preset # Stored".

Sjetite se postaje s popisa unaprijed

1. Da biste ponovno pozvali predodređenu stanicu, jednom pritisnite tipku "PRESET", bilo da zakrenete gumb Next / Previous (3,4) da biste odabrali pohranjenu postaju. Kad se na zaslonu prikaže željeni unaprijed postavljeni broj, pritisnite gumb SELECT (7) za potvrdu.

Napomena: Ako odaberete prethodno postavljenu postaju koja nije dodijeljena postaje, prikazat će se poruka "Prazno".

Sljedeći / prethodni gumb

Odabir radio stanica ili opcija

1. Ako je digitalni radio DAB u načinu rada DAB, pritisnite tipku Next / Previous (3,4) da biste preslušali popis radio postaja dok slušate. Ili pritisnite gumb Sljedeće / Prethodno (3,4) da biste se kretali kroz popis izbornika za mogućnosti.
2. Ako je DAB Digital Radio u FM modu, pritisnite tipku Next / Previous (3,4) za ručno podešavanje frekvencije na 0,05MHz. Ili možete pritisnuti i držati TU +/- (3,4) tipku za automatsko skeniranje stanice. Ili pritisnite gumb Sljedeće / Prethodno (3,4) da biste se kretali kroz popis izbornika za mogućnosti.

Gumb VOLUME +/-

podešavanje glasnoće

Zakrenite kotačić za glasnoću da biste povećali ili smanjili glasnoću.

Postavljanje alarma i vremena

Možete postaviti dva alarma koji se mogu prilagoditi radio stanici ili zvuku.

Napomena: Alarmi se oglašavaju samo kad je uključen ili u stanju pripravnosti i povezan s napajanjem.

Alarmi se ne oglašavaju kad su isključeni.

Postavljanje alarma

1. Pritisnite tipku Izbornik (8) 2 sekunde za prikaz glavnog izbornika.
2. Okrenite i pritisnite tipku Sljedeće / Prethodno (3,4) za odabir "Sustav"> "Alarm".
3. Pritisnite gumb Select (7) za izmjenu "čarobnjaka 1 za alarm"
4. Pritisnite gumb Next / Previous (3,4) za podešavanje sati i minuta, pritisnite Select (7) za potvrdu svakog odjeljka.
5. Pritisnite gumb za odabir, odaberite 'Izvor'.
6. Pritisnite gumb Next / Previous (3,4) za odabir zvučnika 'FM ili DAB', a zatim pritisnite gumb za odabir (7) za potvrdu.
7. Ako ste odabrali 'Digital Radio' ili 'FM' radio, pritisnite tipku Next / Previous (3,4) za odabir 'Preset' (2). Da biste reproducirali stanicu koju ste posljednje slušali, okrenite se i pritisnite birajte broj da biste odabrali 'Posljednje slušanje' ili okrenite i pritisnite tipku Sljedeće / Prethodno (3,4) da odaberete radio stanicu s popisa.
8. Pritisnite tipku Sljedeće / Prethodno (3,4) za odabir "Dnevno", "jednom", "vikendi" ili "Radnim danima". a zatim pritisnite gumb za odabir (7) za potvrdu.
9. Pritisnite gumb Next / Previous (3,4) i odaberite "Volume". Pritisnite tipku Select (7) za potvrdu.
10. Okrenite i pritisnite Select (7) da biste postavili 'Alarm' na 'On'.
11. Okrenite i pritisnite Odaberi (7) da biste uključili 'Alarm spremjen'.

Postavljanje vremena mirovanja

1. Pritisnite i zadržite tipku Izbornik dvije sekunde za prikaz glavnog izbornika.
2. Okrenite i pritisnite tipku Sljedeće / Prethodno (3,4) za odabir "Sustav"> "Mirovanje".
3. Okrenite i pritisnite tipku Sljedeće / Prethodno (3,4) za podešavanje duljine timera za isključivanje.

Otkazivanje zvučnog alarma

Pritisnite Standby (10) da biste otkazali bilo koji zvučni alarm ili pritisnite Source da biste otkazali i pustili radio uključen.

Odgađanje zvučnog alarma

Da biste odgodili zvučni alarm, pritisnite tipku Select / Snooze (7). Na zaslonu će se prikazati odbrojavanje vremena za prikaz vremena alarma. Da biste podesili vrijeme odgađanja alarma, pritisnite tipku Continuous Select / Snooze (7) za izmjenu trajanja odgode u intervalima od 5 minuta do 15 minuta, a zatim 30 minuta. Za poništavanje alarma odgode pritisnite gumb pripravnosti (10).

Digitalni frekvencije: III. Opseg 174-240 MHz, FM: 87.5-108 MHz

Prijemni 5V (1A) DC mikro-USB prijemnik (isporučen kabel)

Litij-ionska punjiva baterija (2000 mAh)

Ulazi 5V DC (1A) mikro-USB utičnica



Vodimo brigu o prirodnom okolišu. Kartonsku ambalažu molimo prenijeti na otpadni papir. Polietilen (PE) vreće bacati u kontejner za plastiku. Istrošena oprema treba biti premeštena na prikladno mjesto za pohranu, jer sadrže u uređaju opasne tvari mogu predstavljati opasnost za okoliš. Električni uređaj mora biti predat u takvom stanju da se smanji mogućnost njegove ponovne upotrebe. Ako vaš uređaj ima baterije, treba njih ukloniti i predati na mjesto za pohranu odvojeno.



## TURVALLISUUSOLOSUHTEET TÄRKEITÄ KÄYTTÖOHJEITA KÄYTTÖOHJEET LUE HUOLELLISESTI JA SÄILYTTÄMISEKSI TULEVAISUUDESTA.

Takuuehdot ovat erilaiset, jos laitetta käytetään kaupalliseen tarkoitukseen.

1. Lue ennen tuotteen käyttöä huolellisesti ja noudata aina seuraavia ohjeita. Valmistaja ei vastaa vahingoista, jotka johtuvat väärinkäytöstä.
2. Tuotetta saa käyttää vain sisätiloissa. Älä käytä tuotetta mihinkään tarkoitukseen, joka ei ole yhteensopiva sen kanssa.
3. Sovellettava jännite on 230 V, ~ 50 Hz. Turvallisuussyistä ei ole tarkoituksenmukaista kytkeä useita laitteita yhteen pistorasiiaan.
4. Ole varovainen, kun käytät lapsia. Älä anna lasten leikkiä tuotteen kanssa. Älä anna lasten tai henkilöiden, jotka eivät tunne laitetta, käyttää sitä ilman valvontaa.
5. VAROITUS: Tätä laitetta voivat käyttää yli 8-vuotiaat lapset ja henkilöt, joilla on heikentynyt fyysinen, aistillinen tai henkinen kyky, tai henkilöt, joilla ei ole kokemusta tai tietoa laitteesta, vain heidän turvallisuudestaan vastaavan henkilön valvonnassa, tai jos heille annettiin ohjeita laitteen turvallisesta käytöstä ja ovat tietoisia sen käyttöön liittyvistä vaaroista. Lapset eivät saa leikkiä laitteen kanssa. Lapset eivät saa puhdistaa ja huoltaa laitetta, elleivät ne ole yli 8-vuotiaita ja nämä toimet toteutetaan valvonnassa.
6. Kun olet lopettanut tuotteen käytön, muista aina irrottaa pistoke varovasti pistorasiasta, jossa pistorasia on kädellä. Älä koskaan vedä virtajohtoa !!!
7. Älä koskaan aseta virtajohtoa, pistoketta tai koko laitetta veteen. Älä koskaan altista tuotetta ilmakehän olosuhteille, kuten suoralle auringonvalolle tai sateelle. Älä koskaan käytä tuotetta kosteissa olosuhteissa.
8. Tarkista säännöllisesti virtajohdon kunto. Jos virtajohto on vaurioitunut, tuote tulee vaihtaa ammattikäyttöön, jotta se voidaan vaihtaa vaarallisten tilanteiden välttämiseksi.
9. Älä koskaan käytä tuotetta vaurioituneella virtakaapelilla tai jos se on pudonnut tai vaurioitunut muulla tavalla tai jos se ei toimi kunnolla. Älä yritä korjata viallista tuotetta itse, koska se voi aiheuttaa sähköiskun. Käännä vaurioitunut laite aina ammattikäyttöön, jotta se voidaan korjata. Kaikki korjaukset voivat tehdä vain valtuutetut huoltoalan ammattilaiset. Väärin tehty korjaus voi aiheuttaa käyttäjälle vaarallisia tilanteita.
10. Älä koskaan laita tuotetta kuumiin tai lämpimiin pintoihin tai keittiökoneisiin, kuten uuniin tai kaasupolttimeen.
11. Älä koskaan käytä tuotetta lähellä palavia aineita.
12. Älä anna kaapelin roikkua laskurin reunan yli tai kosketa kuumia pintoja.
13. Älä koskaan jätä laitetta virtalähteeseen ilman valvontaa. Vaikka käyttö keskeytetään lyhyeksi ajaksi, katkaise se verkosta, irrota virtajohto.
14. Lisäksi suojaamiseksi on suositeltavaa asentaa virtapiiriin jäännösvirtauslaite (RCD), jonka jäännösvirta on enintään 30 mA. Ota yhteyttä ammattilaiseen sähköasentajaan tässä asiassa.
15. Vältä radion kastumista.
16. Radio voidaan pyyhkiä vain kuivalla liinalla. Älä käytä vettä tai puhdistusnesteitä.
17. CD-soittimen puhdistamiseen käytettäviä erikoiskiekkokoja tulisi käyttää säännöllisesti.
18. Radio on säilytettävä kuivassa huoneessa.

Laitteen kuvaus (Dab Radio):

1. Nestekidenäyttö
2. Esiasetuspainike
3. Edellinen / Skannaus
4. Seuraava
5. Äänenvoimakkuuden +/- painike
6. Lepotila
7. Valitse / Torkku
8. Väilikko / tiedot
9. DAB / FM
10. Virta päälle / pois
11. Micro-USB
12. 3,5 mm kuulokeliitäntä.

Ensimmäinen asennus:

1. Varmista, että laite on ladattu täyteen. Kytke laite Micro USB -kaapelilla sopivaan virtalähteeseen.
2. Pidä virtapainiketta (10) painettuna 2 sekunnin ajan.
3. Ensimmäinen kerta DAB-digitaalinen radio
4. Kun DAB Digital Radio käyttää virtalähdettä, paina POWER (10) -painiketta kytkeäksesi päälle ja valmiustilaan. Irrota virtalähde pistorasiasta sammuttaaksesi digitaalisen radion kokonaan.

5. Kun DAB Digital Radio käyttää akkuja, pidä POWER (10) -painiketta painettuna 2 sekunnin ajan tai kytke virta pois päältä, se käynnistää DAB-tilan. Se etsii käytettävissä olevat radioasemat automaattisesti.

#### DAB / FM-painike

##### Siirtyminen DAB / FM-tilaan

1. Kun DAB-digitaalinen radio kytketään ensimmäistä kertaa, se käynnistää DAB-tilan.

2. Jos laite on DAB-tilassa, paina DAB / FM (9) -painiketta toistuvasti, kunnes FM näkyy näytössä.

3. Kun olet FM-tilassa, DAB-digitaalinen radio virittyy käytettävissä olevan FM-alueen (87,50MHz) tai viimeisen luetellun FM-aseman alkuun.

4. Jos haluat muuttaa FM-taajuutta manuaalisesti, varmista, että et ole valinnut muita alivalikoita. Käännä TU +/- (muuttaaksesi taajuutta 0,05MHz).

##### DAB-näytön tietojen muuttaminen

1. Jos DAB-digitaalinen radio on DAB-tilassa, paina MENU / INFO (8) -painiketta valitaksesi näytöllä näytettävät tiedot, kuten DLS (dynaaminen tarra-segmentti), signaalin voimakkuus, PTY (ohjelmatyyppe), ryhmä, taajuus, signaalin laatu, bittinopeuden koodekki, aika, päivämäärä.

2. Jos DAB-digitaalinen radio on FM-tilassa, paina MENU / INFO (8) -painiketta valitaksesi näytöllä näytettävät tiedot, kuten radioteksti, PTY (ohjelmatyyppe), PS (ohjelmapaivalu), stereo- / mono, aika, päivämäärä.

##### DAB-tila - valikkovaihtoehtojen valitseminen

1. Jos DAB-digitaalinen radio on DAB-tilassa, siirry valikkoluetteloon pitämällä MENU / INFO (8) -painiketta painettuna. Valitse Seuraava / Edellinen (3,4) -painike valitaksesi vaihtoehdon valikkoluettelosta. Pysäytä sitten haluamallasi vaihtoehdolle ja vahvista valinta painamalla SELECT (7) -painiketta. Valikkovaihtoehdot ovat täysi skannaus, manuaalinen viritys, DRC, karsinta, järjestelmä.

2. Täysi tarkistus - paina valikkoluettelossa Seuraava / Edellinen (3,4) -painiketta valitaksesi "Täydellinen tarkistus" valikkoluettelon kautta, paina SELECT (7) -painiketta vahvistaaksesi ja täysi skannaus alkaa automaattisesti kohtaan Kun skannaus on tehty valmis, radio palaa toistamaan aiemmin valitun aseman tai ensimmäisen aseman luettelossa.

Huomaa: jos mitään radioasemaa ei löydy, siinä näkyy "No DAB Station". Parempana vastaanottamiseksi laajenna antennia tai tee täysi skannaus uudestaan toiseen paikkaan.

3. Manuaalinen viritys - kuten tavallinen skannausmenetelmä, voit myös virittää manuaalisesti tietyyn kanavaan / taajuuteen. Tästä voi olla hyötyä antennin säätämässä parhaan mahdollisen vastaanoton saavuttamiseksi ja tietyn kanavan skannaamiseksi asemaluettelon päivittämiseksi. Paina valikkoluettelossa Seuraava / Edellinen (3,4) -painiketta valitaksesi "Manuaalinen viritys" valikkoluettelosta. Vahvista valinta painamalla (7) -painiketta. Paina sitten Seuraava / Edellinen (3,4) -painiketta valitaksesi tietty kanava / taajuus ja paina sitten VALITSE (7) -painiketta vahvistaaksesi asetuksen. Näyttö näyttää reaaliaikaisen signaalin vastaanotetun signaalin voimakkuudesta valitussa taajuudessa. Antennisi säädöt ilmenevät näytetyssä signaalin voimakkuudessa.

5. Karsinta - tämä poistaa kaikki asemaluettelossa mainitut virheelliset asemat merkillä '?' aseman nimen edessä. Paina valikkoluettelossa Seuraava / Edellinen (3,4) -painiketta valitaksesi "Prune" valikkoluettelosta, paina SELECT (7) -painiketta vahvistaaksesi kohtaan. Paina sitten Seuraava / Edellinen (3,4) -painiketta valitaksesi <Kyllä> ja vahvista valinta painamalla SELECT (7) -painiketta

6.0. Aika - jos DAB + -radiosignaalia on, kone päivittää kellonajan automaattisesti, signaalia ei ole, voidaan asettaa myös manuaalisesti.

\* Aseta aika / päivämäärä: aseta tunti / aseta minuutti / aseta kuukausi / aseta päivämäärä> aseta vuos> tallennettu

\* Automaattiset päivitysasetukset: päivitys mistä tahansa / päivitys DAB: lta / päivitys FM: stä

/ ei päivitystä

\* Aseta 12/24 tunti: 12 tuntia / 24 tuntia

\* Aseta päivämäärämuoto: PP-KK-VVVV / KK-PP-VVVV Selaa Aika-valikossa painamalla SELECT (7) -painiketta, valitse tietty vaihtoehto ja paina SELECT (7) -painiketta.

6.1. Taustavalvo - tällä radionäytöllä on taustavalvo, jota voidaan säätää. Voit valita radion näytön taustavalvon ajan. Paina Järjestelmävalikossa Seuraava / Edellinen (3,4) -painiketta valitaksesi "Taustavalvo" valikkoluettelosta. Paina SELECT (7) -painiketta vahvistaaksesi kohtaan "Korkea", "Keskitaso" tai "Matala".

6.2. Kieli - Näyttöviestien kieli voidaan valita seuraavista vaihtoehdoista: English | Francais Valitse Järjestelmävalikossa Seuraava / Edellinen (3,4) -painike valitaksesi "Kieli" valikkoluettelosta. Vahvista valinta painamalla SELECT (7) -painiketta. Selaa Kieli-valikossa painamalla Seuraava / Edellinen (3,4) -painiketta, valitse ja lopeta tietyllä kielellä. Vahvista painamalla SELECT (7) -painiketta.

6.3. Tehdasasetusten palautus - Tämä toiminto tyhjentää kaikki käyttäjän määrittämät asetukset korvaamalla ne alkuperäisillä oletusarvoilla, joten aika / päivämäärä, asetukset / asetukset, DAB-asemaluettelo ja esiasetetut asemat menetetään. Valitse Järjestelmävalikossa Seuraava / Edellinen (3,4) -painike valitaksesi "Tehdasasetus" valikkoluettelosta. Vahvista valinta painamalla SELECT (7) -painiketta. Valitse sitten Seuraava / Edellinen (3,4) -painikkeella <Kyllä> ja käynnistä tehdasasetus painamalla SELECT (7) -painiketta.

6.4. Ohjelmistoversio - tätä käytetään nykyisen ohjelmistoversion näyttämiseen.

Valitse järjestelmävalikossa Seuraava / Edellinen-painike valitaksesi "Ohjelmistoversio" valikkoluettelosta. Vahvista valinta painamalla SELECT-painiketta. Sitten nykyinen SW-versio näytetään.

##### FM-tila - valikkovaihtoehtojen valitseminen

1. Jos DAB Digital Radio on FM-tilassa, pidä MENU / INFO (8) -painiketta painettuna siirtyäksesi myös valikkoluetteloon. Valitse vaihtoehto valikkoluettelosta painamalla Seuraava / Edellinen (3,4) -painiketta. Pysäytä sitten haluamallasi vaihtoehdolle ja vahvista valinta painamalla SELECT (7) -painiketta. Valikkovaihtoehdot ovat skannausasetukset, ääniasetukset, järjestelmä.

2. Skannausasetukset - oletusarvoisesti FM-haku pysähtyy missä tahansa käytettävissä olevassa asemassa (Kaikki asemat). Tämä voi johtaa heikon laadun heikkoon asemiin.

Valinnat: Vain vahvat asemat / Kaikki asemat Valitse valikkoluettelossa Seuraava / Edellinen (3,4) -painike valitaksesi haluamasi vaihtoehdon "Skannausasetukset" -kohdassa, ja paina sitten SELECT (7) -painiketta vahvistaaksesi muutoksen uuteen asetukseen. .

3. Audioasetukset - oletuksena kaikki stereoasemat toistetaan stereona. Heikkojen asemien kohdalla tämä voi johtaa heikon äänenlaatuun. Äänenlaatua voidaan parantaa käyttämällä mono-ominaisuutta. Vaihtoehdot: Stereo sallittu | Pakotettu mono Valitse valikkoluettelossa Seuraava / Edellinen (3,4) -painike valitaksesi haluamasi vaihtoehdon kohdassa "Ääniasetukset" ja paina sitten SELECT (7) -painiketta

vahvistaaksesi muutoksen uuteen asetukseen. Se muuttuu automaattisesti uuteen asetukseen 3 sekunnin kuluttua.

## PRESET-painike

Esiaseta 20 DAB-asemaa ja 20 FM-suosikkiasemaa

1. Tallenna asema esiasetusluetteloon - tallentaa asema, valittu haluamasi radioasema ja paina sitten PRESET (2) -painiketta sekunnin ajan, kunnes nestekidenäytössä näkyy "Preset store # : ( Empty)" tai "# : tallennettu radioasema".
2. Paina joko Seuraava / Edellinen (3,4) -painiketta valitaksesi haluamasi aseman esiviritysnúmero. Paina SELECT (7) -painiketta valinnan vahvistamiseksi, näytössä näkyy "Preset # Tallennettu".

Kutsu asema esiasetusluettelosta

1. Voit palauttaa esiviritytyn aseman painamalla PRESET-painiketta kerran tai kääntämällä Seuraava / Edellinen (3,4) -painiketta valitaksesi tallennetut esiasetetut asemat. Kun näytössä näkyy haluamasi esiviritytyn numero, paina SELECT (7) -painiketta vahvistaaksesi.

Huomaa: Jos valitset esivirityksen, jolle ei ole osoitettu asemaa, näyttöön tulee "Tyhjä".

Seuraava / Edellinen-painike

Radioasemien tai asetusten valitseminen

1. Jos DAB-digitaalinen radio on DAB-tilassa, paina Seuraava / Edellinen (3,4) -painiketta selataksesi radioasemaluetteloa kuunteleessasi. Tai paina Seuraava / Edellinen (3,4) -painiketta selataksesi valikkoluetteloa vaihtoehtojen löytämiseksi.
2. Jos DAB Digital Radio on FM-tilassa, paina Seuraava / Edellinen (3,4) -painiketta säätääksesi taajuutta manuaalisesti 0,05MHz. Tai voit pitää ja pitää painettuna TU +/- (3,4) -painiketta automaattisen skannauksen asemalle. Tai paina Seuraava / Edellinen (3,4) -painiketta selataksesi valikkoluetteloa vaihtoehtojen löytämiseksi.

VOLUME +/- -painike

äänenvoimakkuuden säätäminen

Kierrä äänenvoimakkuuden säädintä suurentaaksesi tai vähentääksesi äänenvoimakkuutta.

## HÄLYTYKSEN JA AJASTIMEN ASETTAMINEN

Voit asettaa kaksi hälytystä, jotka voidaan virittää radioasemalle tai kuulostaa ääntä.

Huomaa: Hälytykset kuuluvat vain, kun virta on kytketty päälle tai valmiustilassa ja kytketty virtalähteeseen.

Hälytykset eivät kuulu, kun virta on kytketty pois päältä.

Hälytyksen asettaminen

1. Paina päävalikkopainiketta (8) 2 sekunnin ajan nähdäksesi päävalikon.
  2. Käännä ja paina Seuraava / Edellinen (3,4) -painiketta valitaksesi 'Järjestelmä' > 'Hälytys'.
  3. Paina Valitse (7) -painiketta muuttaaksesi 'Hälytys 1 ohjattu toiminto'
  4. Painamalla Seuraava / Edellinen (3,4) -painiketta säätääksesi tunteja ja minutteja, paina Valitse (7) vahvistaaksesi jokaisen osan.
  5. Paina Select-painiketta ja valitse 'Source'.
  6. Valitse Seuraava / Edellinen (3,4) -painike valitaksesi Sumneri 'FM 'tai' DAB ', vahvista sitten painamalla Valitse (7) -painiketta.
  7. Jos olet valinnut 'Digitaalinen radio' tai 'FM' radio, paina Seuraava / Edellinen (3,4) -painiketta valitaksesi 'Esiasetettu' (2). Jos haluat toistaa viimeksi kuuntelemasi aseman, käännä ja paina Valitse-valintakiekkoa valitaksesi 'Viimeksi kuunnellut' tai käännä ja paina Seuraava / Edellinen (3,4) -painiketta valitaksesi radioaseman esivalintaluettelosta.
- Huomaa: Ohita tämä vaihe, jos olet asettamassa äänihälytystä.
8. Paina Seuraava / Edellinen (3,4) -painiketta valitaksesi 'Päivittäin'. 'Kerran'. 'Viikonlopun' tai 'viikonpäivät'. paina sitten Valitse (7) -painiketta vahvistaaksesi.
  9. Paina Seuraava / Edellinen (3,4) -painiketta ja valitse 'Äänenvoimakkuus'. Vahvista valinta painikkeella Select (7).
  10. Käännä ja paina Valitse (7) -painiketta kääntääksesi 'Alarm' -asetukseksi 'On'.
  11. Käännä ja paina Valitse (7) kääntääksesi 'Hälytys tallennettu'.

Uniajastimen asettaminen

1. Paina päävalikkopainiketta 2 sekunnin ajan nähdäksesi päävalikon.
2. Käännä ja paina Seuraava / Edellinen (3,4) -painiketta valitaksesi 'Järjestelmä' > 'Lepotila'.
3. Käännä ja paina Seuraava / Edellinen (3,4) -painiketta säätääksesi uniajastimen pituutta.

Äänimerkin peruuttaminen

Paina valmiustilaa (10) peruuttaaksesi kaikki hälytykset tai paina Source peruuttaaksesi ja jättääksesi radion päälle.

Torjuu kuulostava hälytys

Voit torkkua kuulostavan hälytyksen painamalla Valitse / Torkku (7) -painiketta. Näytössä näkyy ajastin, joka osoittaa, kuinka kauan hälytys torkkua. Jos haluat säätää hälytyksen torkkumisaikaa, paina Jatkuva-valinta / torkku (7) -painiketta muuttaaksesi torkkuaajan 5 minuutin välein 15 minuuttiin ja sitten 30 minuuttiin. Torkkuhälytyksen peruuttamiseksi paina valmiustilapainiketta (10).

Digitaaliset taajuudet: Kaista III 174–240 MHz, FM: 87,5–108 MHz  
Vastaanottava virtälähde 5 V (1A) DC-mikro-USB (kaapeli mukana)  
Litium-ioni-akku (2000 mAh)  
Tulot 5V DC (1A) Micro-USB-pistorasiaan



Kantakaamme huolta ympäristöstä. Pahvipakkauksen pyydämme laittamaan paperikierrätykseen. Polyeteenipussit (PE) tulee laittaa muovien kierrätysastiaan. Loppuun käytetyt laitteet tulee toimittaa asianmukaiseen keräyspisteeseen, koska laitteet sisältämät vaaralliset aineosat voivat olla ympäristölle vahingollisia. Sähkölaite tulee toimittaa siten, että sen uudelleenkäyttö on estetty. Jos laitteessa on paristo, paristo tulee poistaa ja toimittaa erillisesti keräyspisteeseen.

## SÄKERHETSVILLKOR VIKTIGA INSTRUKTIONER FÖR ANVÄNDNINGSSÄKERHET LÄS SÄKERHET LÄGGANDE OCH HÅLL FÖR FRAMTIDA REFERENS

Garantivillkoren är olika, om enheten används för kommersiellt ändamål.

1. Innan du använder produkten läs noggrant och följ alltid följande instruktioner. Tillverkaren ansvarar inte för skador på grund av felaktig användning.
2. Produkten får endast användas inomhus. Använd inte produkten för något ändamål som inte är kompatibelt med dess tillämpning.
3. Den aktuella spänningen är 230V, ~ 50Hz. Av säkerhetsskäl är det inte lämpligt att ansluta flera enheter till ett vägguttag.
4. Var försiktig när du använder runt barn. Låt inte barnen leka med produkten. Låt inte barn eller personer som inte känner till enheten använda den utan tillsyn.
5. **VARNING:** Den här enheten kan användas av barn över 8 år och personer med nedsatt fysisk, sensorisk eller mental förmåga, eller personer utan erfarenhet eller kunskap om enheten, endast under överinseende av en person som ansvarar för deras säkerhet, eller om de fick instruktioner om säker användning av enheten och är medvetna om de faror som är förknippade med dess funktion. Barn ska inte leka med enheten. Rengöring och underhåll av apparaten ska inte utföras av barn, såvida de inte är över 8 år och dessa aktiviteter utförs under tillsyn.
6. När du är färdig med att använda produkten, kom alltid ihåg att försiktigt ta bort kontakten från eluttaget som håller uttaget med handen. Dra aldrig strömkabeln !!!
7. Anslut aldrig strömkabeln, kontakten eller hela enheten i vattnet. Utsätt aldrig produkten för atmosfäriska förhållanden som direkt solljus eller regn etc. Använd aldrig produkten under fuktiga förhållanden.
8. Kontrollera alltid strömkabelns tillstånd. Om strömkabeln är skadad ska produkten vändas till en professionell serviceplats som ska bytas ut för att undvika farliga situationer.
9. Använd aldrig produkten med en skadad strömkabel eller om den tappades eller skadades på något annat sätt eller om det inte fungerar ordentligt. Försök inte reparera den defekta produkten själv eftersom det kan leda till elektrisk stöt. Vänd alltid den skadade enheten till en professionell serviceplats för att reparera den. Alla reparationer kan endast utföras av auktoriserade servicepersonal. Den reparation som gjordes felaktigt kan orsaka farliga situationer för användaren.
10. Använd aldrig produkten på eller nära de varma eller varma ytorna eller köksutrustning som den elektriska ugnen eller gasbrännaren.
11. Använd aldrig produkten nära brännbara ämnen.
12. Låt inte ledningen hänga över kanten av räknaren eller vidröra heta ytor.
13. Lämna aldrig produkten ansluten till strömkällan utan tillsyn. Även om användningen avbryts under en kort stund, stäng av den från nätverket, koppla ur strömmen.
14. För att ge ytterligare skydd rekommenderas att man installerar återstartsströmsenhet (RCD) i strömkretsen, med återstående strömstyrka inte över 30 mA. Kontakta professionell elektriker i denna fråga.
15. Undvik att få radion våt.
16. Radion får bara torkas med en torr trasa. Använd inte vatten eller rengöringsmedel.
17. Speciella skivor för rengöring av CD-spelaren ska användas regelbundet.
18. Radion ska hållas i ett torrt rum.

Enhetsbeskrivning (Dab Radio):

1. LCD-display 2. Förinställningsknapp 3. Föregående / skanning 4. Nästa 5. Volym +/- knapp 6. Viloläge 7. Välj / Snooze 8. Meny / Info 9. DAB / FM 10. Ström på / av 11. Micro-USB 12. 3,5 mm hörlursuttag.

Första installationen:

1. Se till att enheten är fulladdad. För att göra det ansluter du enheten via Micro USB-kabeln till en lämplig strömkälla.
2. Håll strömbrytaren (10) intryckt i 2 sekunder.
3. Första gången DAB Digital Radio
4. När din DAB Digital Radio använder nätadaptern, tryck på POWER (10) -knappen för att slå på "och" standby. Koppla ur nätadaptern för

att stänga av din Digital Radio helt.

5. När din DAB Digital Radio använder batterier, håll in POWER (10) -knappen intryckt i 2 sekunder eller stäng av 's-knappen. Den startar DAB-läget. Den söker automatiskt efter tillgängliga radiostationer.

DAB / FM-knapp

Byt till DAB / FM-läge

1. Första gången DAB Digital Radio växlas startar DAB-läget.

2. Om enheten är i DAB-läge, tryck på DAB / FM (9) -knappen uppregade gånger tills FM visas på displayen.

3. När du är i FM-läge kommer din DAB Digital Radio att ställa in på början av det tillgängliga FM-området (87,50 MHz) eller den sista FM-station som listas.

4. För att manuellt ändra FM-frekvensen, se till att du inte har valt några andra undermenyer. Vrid TU +/- (för att ändra frekvensen med 0,05 MHz).

Ändra DAB-visningsinformation

1. Om DAB Digital Radio är i DAB-läge, tryck på MENU / INFO (8) -knappen för att välja annan information som ska visas på displayen, till exempel DLS (Dynamic Label Segment), signalstyrka, PTY (Programtyp), ensemble, frekvens, signalkvalitet, bitfrekvens, codec, tid, datum.

2. Om DAB Digital Radio är i FM-läge, tryck på MENU / INFO (8) -knappen för att välja annan information som ska visas på skärmen, till exempel radiotext, PTY (Programtyp), PS (Program Service), stereo / mono, tid, datum.

DAB-läge - välja menyalternativ

1. Om DAB Digital Radio är i DAB-läge, tryck och håll ner MENU / INFO (8) -knappen för att gå in i menylistan för att trycka på Nästa / Föregående (3,4) -knappen för att välja alternativet i menylistan. Stoppa sedan vid önskat alternativ och tryck på SELECT (7) -knappen för att bekräfta. Menyalternativen är full skanning, manuell inställning, DRC, beskärning, system.

2. Full skanning - under menylistan, tryck på Nästa / Föregående (3,4) -knappen för att välja "Full skanning" genom menylistan, tryck på SELECT (7) -knappen för att bekräfta och full skanning startar automatiskt till När en skanning är slutförd, återgår radion för att spela den tidigare valda stationen eller den första stationen på stationslistan.

Obs! Om ingen radiostation hittades visar den "Ingen DAB-station". För bättre mottagning, förläng antennen eller gör hela skanningen igen på en annan plats.

3. Manuell inställning - liksom den normala metoden för skanning, du kan också manuellt ställa in en viss kanal / frekvens. Detta kan vara användbart för att justera din antenn för att uppnå bästa möjliga mottagning och skanna en viss kanal för att uppdatera stationslistan.

Under menylistan trycker du på Nästa / Föregående (3,4) -knappen för att välja "Manuell inställning" genom menylistan, tryck på Välj-knappen (7) för att bekräfta. Tryck sedan på Nästa / Föregående (3,4) -knappen för att välja en viss kanal / frekvens och tryck sedan på SELECT (7) -knappen för att bekräfta inställningen till. Displayen visar en liveindikering av den mottagna signalstyrkan på den valda frekvensen. Justeringar av din antenn kommer att visas i den mottagna signalstyrkan som visas.

5. Beskr - detta tar bort alla ogiltiga stationer som anges i stationslistan med en '?' framför stationsnamnet. Under menylistan, tryck på Nästa / Föregående (3,4) -knappen för att välja "Beskr" genom listan med meny, tryck SELECT (7) -knappen för att bekräfta till Tryck sedan på Nästa / Föregående (3,4) -knappen för att välja < Ja>, och tryck på SELECT (7) -knappen för att bekräfta

6.0. Tid - om det finns någon DAB + radiosignal kommer maskinen automatiskt att uppdatera tiden, det finns ingen signal, kan också ställas in manuellt.

\* Ställ in tid / datum: ställa in timme / ställa in minut / ställa in månad / ställa datum> ställa in år> sparat

\* Alternativ för automatisk uppdatering: uppdatering från Vilken som helst / uppdatering från DAB / uppdatering från FM

/ ingen uppdatering

\* Ställ in 12/24 timmar: 12 timmar / 24 timmar

\* Ställ in datumformat: DD-MM-ÅÅÅÅ / MM-DD-ÅÅÅÅ Gå igenom tidsmenyn genom att trycka på VÄLJ (7) -knappen, välj ett visst alternativ och tryck på VALJ (7) -knappen ändras.

6.1. Bakgrundsbelysning - denna radioskärm har en bakgrundsbelysning som kan justeras. Du kan välja tidsgränsen för skärmens bakgrundsbelysning på din radio. Under systemmenyn trycker du på Nästa / Föregående (3,4) -knappen för att välja "Bakgrundsbelysning" genom menylistan, tryck på SELECT (7) -knappen för att bekräfta till "Hög", "Medium" eller "Låg".

6.2. Språk - Det språk som används för visningsmeddelanden kan väljas från alternativen nedan: Engelska | Français Under systemmenyn trycker du på Nästa / Föregående (3,4) -knappen för att välja "Språk" genom menylistan. Tryck på VÄLJ (7) -knappen för att bekräfta.

Bläddra igenom meny Språk genom att trycka på Nästa / Föregående (3,4) -knappen, välj och stoppa på ett visst språk, tryck på VALJ (7) -knappen för att bekräfta.

6.3. Fabriksåterställning - Denna funktion rensar alla användardefinierade inställningar, och ersätter dem med de ursprungliga standardvärdena, så att tid / datum, inställningar / inställningar, DAB-stationslista och förinställda stationer går förlorade. Under systemmenyn trycker du på Nästa / Föregående (3,4) -knappen för att välja "Fabriksåterställning" genom menylistan, tryck på VÄLJ (7) -knappen för att bekräfta till. Använd sedan Nästa / Föregående (3,4) -knappen för att välja <Ja> och tryck på VALJ (7) -knappen för att starta fabriksinställningen.

6.4. Programvaruversion - detta används för att visa den aktuella programvaruversionen.

Under systemmenyn trycker du på Nästa / Föregående för att välja "Programvaruversion" i menylistan. Tryck på VÄLJ-knappen för att bekräfta. Sedan visas den befintliga SW-versionen.

FM-läge - välja menyalternativ

1. Om DAB Digital Radio är i FM-läge, tryck och håll ner MENU / INFO (8) -knappen för att också komma in i menylistan. Tryck på Nästa / Föregående (3,4) -knappen för att välja alternativet genom menylistan. Stoppa sedan vid önskat alternativ och tryck på SELECT (7) -knappen för att bekräfta. Menyalternativen är skanningsinställning, ljudinställning, system.

2. Skanningsinställning - som standard stannar FM-skanningar på alla tillgängliga stationer (Alla stationer). Detta kan leda till ljud av dålig kvalitet från svaga stationer.

Alternativ: Endast starka stationer / Alla stationer Under menylistan trycker du på Nästa / Föregående (3,4) -knappen för att välja ett visst alternativ i "Skanningsinställning", tryck sedan på SELECT (7) -knappen för att bekräfta ändringen till den nya inställningen .



3. Ljudinställning - som standard reproduceras alla stereostationer i stereo. För svaga stationer kan detta leda till ljud av dålig kvalitet. Ljudkvaliteten kan förbättras med mono. Alternativ: Stereo tillåtet | Tvingad mono Under menylistan, tryck på Nästa / Föregående (3,4) -knappen för att välja ett visst alternativ i "Ljudinställning" och tryck sedan på VÄLJ (7) -knappen för att bekräfta ändringen av den nya inställningen. Det kommer automatiskt att ändras till en ny inställning efter 3 sekunder.

## PRESET-knapp

### Förinställda 20 DAB-stationer och 20 FM-favoritstationer

1. Lagra en station i den förinställda listan - för att lagra en station, välj önskad radiostation, tryck sedan på PRESET (2) -knappen intryckt i en sekund tills LCD-displayen "Förinställt lagring #: (Tom)", eller " #: sparat radiostation ".

2. Tryck antingen på Nästa / Föregående (3,4) -knappen för att välja önskat stationsinställningsnummer. Tryck på SELECT (7) -knappen för att bekräfta ditt val, displayen visar "Förinställning # lagrad".

### Återkalla en station från listan med. förinställningar

1. För att återkalla en förinställd station, tryck på "PRESET" -knappen en gång, vrid antingen Nästa / Föregående (3,4) -knappen för att välja förinställd station som du har lagrat. När displayen visar önskat förinställt nummer, tryck SELECT (7) -knappen för att bekräfta. Obs: Om du väljer en förinställning som inte har tilldelats en station, visas "Tom".

### Nästa / föregående knapp

#### Välja radiostationer eller alternativ

1. Om DAB Digital Radio är i DAB-läge, tryck på Nästa / Föregående (3,4) -knappen för att bläddra igenom radiostationslistan när du lyssnar. Eller tryck på Nästa / Föregående (3,4) -knappen för att bläddra igenom menylistan för alternativ.

2. Om DAB Digital Radio är i FM-läge, tryck på Nästa / Föregående (3,4) -knappen för att manuellt justera frekvensen med 0,05 MHz. Eller så kan du trycka och hålla in TU +/- (3,4) -knappen för att automatiskt skanna stationen. Eller tryck på Nästa / Föregående (3,4) -knappen för att bläddra igenom menylistan för alternativ.

#### VOLUME +/- knapp

#### justera volymen

Vrid på volymratten för att öka eller minska volymen.

## INSTÄLLNING AV LARM OCH TIMER

Du kan ställa in två larm, som kan stämma in på en radiostation eller ljudatone.

Obs: Larm ljuder endast när den är påslagen eller i vänteläge och ansluten till en strömförsörjning.

Larm låter inte när den är avstängd.

### Ställer in ett larm

1. Håll in menyknappen (8) i 2 sekunder för att se huvudmenyn.

2. Vrid och tryck på Nästa / Föregående (3,4) -knappen för att välja 'System' > 'larm'.

3. Tryck på knappen Välj (7) för att ändra guiden Alarm 1

4. Tryck på Nästa / Föregående (3,4) -knappen för att justera timmar och minuter, tryck på Välj (7) för att bekräfta varje avsnitt.

5. Tryck på Välj-knappen och välj 'Källa'.

6. Tryck på Nästa / Föregående (3,4) -knappen för att välja summer ', FM 'eller' DAB ', och tryck sedan på knappen Välj (7) för att bekräfta.

7. Om du har valt 'Digital Radio' eller 'FM' radio, tryck på Nästa / Föregående (3,4) -knappen för att välja 'Förinställning' (2). För att spela den station du senast lyssnade på, vrid och tryck på Väljratten för att välja 'Senast lyssnat' eller vrid och tryck på Nästa / Föregående (3,4) -knappen för att välja en radiostation från listan med förinställningar.

Obs: Hoppa över detta steg om du ställer in ett tonalarm.

8. Tryck på Nästa / Föregående (3,4) -knappen för att välja 'Dagligen', 'En gång', 'Helger' eller 'vardagar'. tryck sedan på knappen Välj (7) för att bekräfta.

9. Tryck på knappen Nästa / Föregående (3,4) och välj 'Volym'. Tryck på knappen Välj (7) för att bekräfta.

10. Vrid och tryck på Välj (7) för att vrida 'Alarm' till 'On'.

11. Vrid och tryck på Välj (7) för att vrida 'Larm sparat'.

### Ställa in sömntimer

1. Håll in menyknappen i 2 sekunder för att se huvudmenyn.

2. Vrid och tryck på Nästa / Föregående (3,4) -knappen för att välja 'System' > 'Viloläge'.

3. Vrid och tryck på Nästa / Föregående (3,4) -knappen för att justera längden på sömntimer.

### Avbryter ett ljudalarm

Tryck på Standby (10) för att avbryta ljudlarmet eller tryck på Source för att avbryta och lämna radion på.

### Snoozing ett ljudlarm

Tryck på knappen Select / Snooze (7) för att snooze ett ljudalarm. Displayen visar en nedräkningstimer för att visa hur länge larmet kommer att slumma. För att justera hur lång tid larmet kommer att släppas av trycker du på knappen Kontinuerlig Välj / Snooze (7) för att ändra snooze-varaktigheten i 5-minuters intervaller upp till 15 minuter och sedan 30 minuter. För att avbryta ett snoozing-larm, tryck på Standby-knappen (10).

Frekvenser Digital: Band III 174-240 MHz, FM: 87,5-108 MHz

Mottagning av strömförsörjning 5V (1A) DC-mikro-USB (kabel medföljer)

Uppladdningsbart litiumjonbatteri (2000 mAh)

Ingångar 5V DC (1A) mikro-USB-uttag



Vi sköter om miljön. Överlämna förpackningar i kartong till pappersavfall. Polyetylensäcker (PE) slängs i avfallsbehållare för plast. Man bör lämna en gammal apparat till en riktig återvinningscentral, eftersom farliga komponenter i apparaten kan orsaka fara till miljön. En elektrisk apparat bör lämnas för att minska förnyad användning av denna. Om apparaten innehåller batterier, bör man ta bort dem och lämna dem separat till återvinningscentraler.

## BEZPEČNOSTNÉ PODMIENKY DÔLEŽITÉ POKYNY PRE BEZPEČNOSŤ POUŽÍVANIA POZORNE PREČÍTAJTE A UCHOVÁVAJTE PRE BUDÚCE REFERENCIE

Záručné podmienky sa líšia, ak sa zariadenie používa na komerčné účely.

1. Pred použitím výrobku si pozorne prečítajte a vždy dodržiavajte nasledujúce pokyny.

Výrobca nezodpovedá za škody spôsobené nesprávnym použitím.

2. Výrobok sa smie používať iba v interiéri. Nepoužívajte výrobok na žiadne účely, ktoré nie sú kompatibilné s jeho použitím.

3. Použitelné napätie je 230V, ~ 50Hz. Z bezpečnostných dôvodov nie je vhodné pripojiť viacero zariadení do jednej elektrickej zásuvky.

Buďte opatrní pri používaní okolo detí. Nedovoľte deťom hrať sa s produktom. Nedovoľte deťom alebo ľuďom, ktorí nepoznajú prístroj, aby ho používali bez dozoru.

5. **VYSTRAHA:** Toto zariadenie môžu používať deti staršie ako 8 rokov a osoby so zníženými fyzickými, zmyslovými alebo duševnými schopnosťami alebo osoby bez skúseností alebo vedomostí o zariadení, iba pod dohľadom osoby zodpovednej za ich bezpečnosť, alebo ak boli poučení o bezpečnom používaní zariadenia a sú si vedomí nebezpečenstiev spojených s jeho používaním. Deti by sa s prístrojom nemali hrať. Čistenie a údržbu zariadenia by nemali vykonávať deti, pokiaľ nie sú staršie ako 8 rokov a tieto činnosti sa vykonávajú pod dozorom.

6. Po ukončení používania vždy pamätajte na to, že ste opatrne vytiahli zástrčku zo zásuvky a držte ju za ruku. Nikdy neťahajte sieťový kábel !!!

7. Neviesť napájací kábel, zástrčku ani celé zariadenie do vody. Výrobok nikdy nevystavujte poveternostným podmienkam, ako je priame slnečné svetlo alebo dážď, atď. Nikdy výrobok nepoužívajte vo vlhkom prostredí.

8. Pravidelne kontrolujte stav napájacieho kábla. Ak je napájací kábel poškodený, výrobok by sa mal obrátiť na miesto s odborným servisom, ktoré sa má vymeniť, aby sa predišlo nebezpečným situáciám.

9. Nikdy výrobok nepoužívajte s poškodeným napájacím káblom alebo ak spadol alebo inak poškodený, alebo ak nefunguje správne. Nepokúšajte sa poškodený výrobok opraviť sami, pretože to môže viesť k úrazu elektrickým prúdom. Poškodené zariadenie vždy otočte na odborné servisné miesto, aby ste ho opravili. Všetky opravy môžu vykonávať len autorizovaní servisní pracovníci. Oprava, ktorá bola vykonaná nesprávne, môže spôsobiť nebezpečné situácie pre používateľa.

10. Nikdy výrobok nedávajte na alebo v blízkosti horúcich alebo teplých povrchov alebo kuchynských spotrebičov, ako je elektrická rúra alebo plynový horák.

11. Nikdy výrobok nepoužívajte v blízkosti horľavín.

12. Nedovoľte, aby kábel prechádzal cez okraj počítačovej dosky alebo sa dotýkal horúcich povrchov.

13. Nikdy nenechávajte výrobok pripojený k zdroju napájania bez dozoru. Aj keď je použitie na krátku dobu prerušené, vypnite ho zo siete, odpojte napájanie.

14. Pre zabezpečenie dodatočnej ochrany sa odporúča inštalovať do silového obvodu zariadenie na zvyškový prúd (RCD) so zostatkovým prúdom maximálne 30 mA. V tejto záležitosti kontaktujte profesionálneho elektrikára.

15. Vyhýbajte sa kontaktu s rádiom.

16. Rádio môže byť utierané iba suchou handričkou. Nepoužívajte vodu ani čistiace kvapaliny.

17. Pravidelne používajte špeciálne disky na čistenie prehrávača diskov CD.

18. Rádio by malo byť uložené v suchej miestnosti.

Popis zariadenia (Rádio Dab):

1. LCD displej 2. tlačidlo predvolby 3. predchádzajúce / skenovanie 4. ďalšie 5. tlačidlo hlasitosti +/- 6. režim spánku 7. výber / odloženie 8. Menu / Informácie 9. DAB / FM 10. Zapnutie / vypnutie 11. Micro-USB 12. 3,5 mm konektor pre slúchadlá.

Prvé nastavenie:

1. Skontrolujte, či je zariadenie úplne nabité. Za týmto účelom pripojte zariadenie pomocou kábla Micro USB k vhodnému zdroju napájania.  
2. Stlačte a na 2 sekundy podržte tlačidlo napájania (10).

3. Prvýkrát digitálne rádio DAB
4. Ak digitálne rádio DAB používa napájací adaptér, stlačením tlačidla POWER (10) zapnete „pohotovostný režim“ a „pohotovostný režim“. Ak chcete úplne vypnúť digitálne rádio, odpojte napájací adaptér.
5. Keď digitálne rádio DAB používa batérie, stlačte a podržte tlačidlo POWER (10) na 2 sekundy alebo vypnite prepínač 'off', spustí sa režim DAB. Automaticky vyhľadá dostupné rozhlasové stanice.

#### Tlačidlo DAB / FM

##### Prepínanie do režimu DAB / FM

1. Pri prvom zapnutí digitálneho rádia DAB sa spustí režim DAB.
2. Ak je zariadenie v režime DAB, opakovane stlačte tlačidlo DAB / FM (9), kým sa na displeji nezobrazí FM.
3. Keď ste v režime FM, vaše digitálne rádio DAB naladí začiatok dostupného rozsahu FM (87,50 MHz) alebo poslednú uvedenú stanicu FM.
4. Ak chcete manuálne zmeniť frekvenciu FM, uistite sa, že ste nevybrali žiadne ďalšie podponuky. Otáčaním ovládača TU +/- (zmeníte frekvenciu o 0,05 MHz).

##### Zmena zobrazovaných informácií DAB

1. Ak je digitálne rádio DAB v režime DAB, stlačením tlačidla MENU / INFO (8) vyberte rôzne informácie, ktoré sa majú zobrazíť na displeji, napríklad DLS (dynamický štítok), intenzita signálu, PTY (typ programu), komplet, frekvencia, kvalita signálu, kodek bitovej rýchlosti, čas, dátum.
2. Ak je digitálne rádio DAB v režime FM, stlačením tlačidla MENU / INFO (8) vyberte rôzne informácie, ktoré sa majú zobrazíť na displeji, ako napríklad rádio text, PTY (typ programu), PS (programová služba), stereo / mono, čas, dátum.

##### Režim DAB - výber možnosti ponuky

1. Ak je digitálne rádio DAB v režime DAB, stlačením a podržaním tlačidla MENU / INFO (8) prejdite do zoznamu ponúk. Stlačením tlačidla Dalej / Predchádzajúce (3,4) vyberte možnosť v zozname ponúk. Potom zastavte uprednostňovanú možnosť a stlačením tlačidla SELECT (7) výber potvrdíte. Možnosti ponuky zahŕňajú plnú kontrolu, manuálne ladenie, DRC, prerezávanie, systém.

2. Úplné skenovanie - v zozname ponúk stlačením tlačidla Dalej / Predchádzajúce (3,4) vyberte možnosť „Úplné skenovanie“ v zozname ponuky, stlačením tlačidla SELECT (7) výber potvrdíte a úplné skenovanie sa automaticky spustí. Po dokončení skenovania Po dokončení sa rádio vráti a prehrá predtým zvolenú stanicu alebo prvú stanicu zo zoznamu staníc.

Poznámka: Ak nenájdete žiadnu rozhlasovú stanicu, zobrazí sa nápis „No DAB Station“. Ak chcete dosiahnuť lepší príjem, rozťahnite anténu alebo znova vykonajte úplné skenovanie na inom mieste.

3. Manuálne ladenie - rovnako ako bežný spôsob skenovania, môžete tiež manuálne naladiť konkrétny kanál / frekvenciu. To môže byť užitočné pri nastavovaní antény na dosiahnutie najlepšieho možného príjmu a skenovaní konkrétneho kanála na aktualizáciu zoznamu staníc. V zozname ponúk stlačte tlačidlo Dalej / Predchádzajúce (3,4), aby ste vybrali „Manuálne ladenie“ v zozname ponúk, stlačením tlačidla Výber (7) výber potvrdíte. Potom stlačením tlačidla Next / Previous (3,4) vyberte konkrétny kanál / frekvenciu a potom stlačením tlačidla SELECT (7) potvrdíte nastavenie. Na displeji sa zobrazí živá indikácia sily prijatého signálu na zvolenej frekvencii. Úpravy vašej antény sa prejavia na zobrazenej sile prijatého signálu.

5. Prune - odstráni všetky neplatné stanice uvedené v zozname staníc znakom „?“ pred názvom stanice. V zozname ponúk stlačte tlačidlo Next / Previous (3,4), aby ste vybrali „Prune“ v zozname ponúk, stlačením tlačidla SELECT (7) výber potvrdíte. Potom stlačením tlačidla Next / Previous (3,4) vyberte položku < Ano > a stlačením tlačidla SELECT (7) výber potvrdíte

- 6.0. Čas - ak existujú nejaké rádiové signály DAB +, stroj automaticky aktualizuje čas, nie je k dispozícii žiadny signál, možno ho nastaviť aj ručne.

\* Nastaviť čas / dátum: nastaviť hodinu / nastaviť minútu / nastaviť mesiac / nastaviť dátum > nastaviť rok > uložené

\* Možnosti automatickej aktualizácie: aktualizácia z ľubovoľného / aktualizácia z DAB / aktualizácia z FM

/ žiadna aktualizácia

\* Nastavte 12/24 hodín: 12 hodín / 24 hodín

\* Nastavte formát dátumu: DD-MM-RRRR / MM-DD-RRRR Cyklus v ponuke Čas stlačením tlačidla SELECT (7), vyberte konkrétnu možnosť a tlačidlo SELECT (7) sa zmení.

- 6.1. Podsvietenie - tento displej rádia má nastaviteľné podsvietenie. Môžete zvoliť časový limit podsvietenia displeja vášho rádia. V ponuke systému stlačte tlačidlo Next / Previous (3,4) pre výber „Backlight“ v zozname ponúk. Stlačením tlačidla SELECT (7) potvrdíte „High“, „Medium“ alebo „Low“.

- 6.2. Jazyk - Jazyk používaný pre správy na displeji je možné zvoliť z nasledujúcich možností: angličtina | Français V ponuke systému stlačte tlačidlo Next / Previous (3,4) pre výber „Language“ v zozname menu, pre potvrdenie stlačte tlačidlo SELECT (7). Stlačením tlačidla Next / Previous (3,4) prechádzajte cez ponuku Language, vyberte a zastavte sa v určitom jazyku. Potvrdíte stlačením tlačidla SELECT (7).

- 6.3. Factory Reset - Táto funkcia vymaže všetky užívateľom definované nastavenia a nahradí ich pôvodnými predvolenými hodnotami, takže sa stratí čas / dátum, preferencie / nastavenia, zoznam staníc DAB a uložené stanice. V ponuke systému stlačte tlačidlo Dalej / Predchádzajúce (3,4), aby ste v zozname menu vybrali „Factory Reset“, stlačením tlačidla SELECT (7) výber potvrdíte. Potom pomocou tlačidla Dalej / Predchádzajúce (3,4) vyberte položku <Ano> a stlačením tlačidla VYBRÁŤ (7) spustíte továrenské nastavenie.

- 6.4. Verzia softvéru - slúži na zobrazenie aktuálnej verzie softvéru.

V ponuke systému stlačte tlačidlo Dalej / Predchádzajúce, aby ste v zozname ponuky vybrali „Verzia softvéru“. Potvrdíte stlačením tlačidla VYBRÁŤ. Potom sa zobrazí existujúca verzia softvéru.

##### Režim FM - výber možnosti ponuky

1. Ak je digitálne rádio DAB v režime FM, stlačením a podržaním tlačidla MENU / INFO (8), aby ste tiež vstúpili do zoznamu ponúk. Stlačením tlačidla Dalej / Predchádzajúce (3,4) vyberte možnosť v zozname ponúk. Potom zastavte uprednostňovanú možnosť a stlačením tlačidla SELECT (7) výber potvrdíte. Možnosti ponuky sú nastavenie skenovania, nastavenie zvuku, systém.

2. Nastavenie skenovania - v predvolenom nastavení sa vyhľadávajú FM zastávy na akekoľvek dostupnej stanici (všetky stanice). To môže mať za následok nekvalitný zvuk zo slabých staníc.

Možnosti: Iba silné stanice / všetky stanice V zozname ponúk stlačením tlačidla Dalej / Predchádzajúce (3,4) vyberte konkrétnu možnosť v položke „Nastavenie skenovania“, potom stlačením tlačidla SELECT (7) potvrdíte zmenu na nové nastavenie. ,

3. Nastavenie zvuku - štandardne sa všetky stereo stanice reprodukovujú stereofónne. V prípade slabých staníc to môže mať za následok nekvalitný zvuk. Kvalitu zvuku je možné vylepšiť použitím mono. Možnosti: Stereo povolené | Forcé mono V zozname ponúk stlačením tlačidla Next / Previous (3,4) vyberte konkrétnu možnosť v položke „Audio settings“, potom stlačením tlačidla SELECT (7) potvrdíte zmenu na nové nastavenie. Po 3 sekundách sa automaticky zmení na nové nastavenie.

## Tlačidlo PRESET

Uložte 20 staníc DAB a 20 obľúbených staníc FM

1. Uložte stanicu do zoznamu predvolieb - na uloženie stanice vyberte požadovanú rozhlasovú stanicu a potom na sekundu stlačte a podržte tlačidlo PRESET (2), kým sa na LCD displeji nezobrazí „Preset store #: (Empty)“ alebo „#“; uložená rozhlasová stanica “.  
2. Buď stlačením tlačidla Next / Previous (3,4) vyberte požadované číslo predvolby stanice, stlačením tlačidla SELECT (7) vyber potvrdíte, na displeji sa zobrazí „Preset # Stored“.

Vyvolanie stanice zo zoznamu predvolieb

1. Ak chcete vyvolať uloženú stanicu, stlačte raz tlačidlo „PRESET“. Otáčaním tlačidla Next / Previous (3,4) vyberte uloženú stanicu. Keď sa na displeji zobrazí požadované číslo predvolby, stlačte tlačidlo SELECT (7) pre potvrdenie.  
Poznámka: Ak zvolíte predvolbu, ktorej nebola pridelená žiadna stanica, zobrazí Sa „Empty“.

Tlačidlo Next / Previous

Výber rozhlasových staníc alebo volieb

1. Ak je digitálne rádio DAB v režime DAB, stlačením tlačidla Next / Previous (3,4) môžete počas počúvania listovať v zozname rozhlasových staníc. Alebo stlačte tlačidlo Next / Previous (3,4), aby ste prešli zoznamom možností.  
2. Ak je digitálne rádio DAB v režime FM, stlačením tlačidla Next / Previous (3,4) manuálne upravte frekvenciu o 0,05 MHz. Alebo môžete stlačiť a podržať tlačidlo TU +/- (3,4) pre automatické vyhľadávanie stanice. Alebo stlačte tlačidlo Next / Previous (3,4), aby ste prešli zoznamom možností.

Tlačidlo VOLUME +/-

nastavenie hlasitosti

Otočením ovládača hlasitosti zvýšite alebo znížite hlasitosť.

## NASTAVENIE ALARMOV A ČASOVAČOV

Môžete nastaviť dva budíky, ktoré dokážu naladiť rozhlasovú stanicu alebo odložiť zvuk.

Poznámka: Budíky znejú iba pri zapnutom alebo pohotovostnom režime a pripojenom k napájaciemu zdroju.

Keď je zariadenie vypnuté, budíky neznie.

Nastavenie budíka

1. Stlačením a podržaním tlačidla Menu (8) na 2 sekundy zobrazíte hlavnú ponuku.
2. Otočte a stlačte tlačidlo Dalej / Predchádzajúce (3,4), aby ste vybrali „Systém“> „Budík“.
3. Stlačením tlačidla Vybrať (7) zmeníte sprievodcu budíkmí 1.
4. Stlačením tlačidla Dalej / Predchádzajúce (3,4) nastavte hodiny a minúty a stlačením tlačidla Vybrať (7) potvrdíte každú časť.
5. Stlačte tlačidlo Vybrať a vyberte „Zdroj“.
6. Stlačte tlačidlo Next / Previous (3,4), aby ste vybrali buzičiak „FM“ alebo „DAB“, potom stlačením tlačidla Select (7) vyber potvrdíte.
7. Ak ste vybrali rádio „Digital Radio“ alebo „FM“, stlačením tlačidla Next / Previous (3,4) vyberte „Preset“ (2). Ak chcete prehrať stanicu, ktorú ste naposledy počúvali, otočte ju a stlačením otočného voliča vyberte možnosť „Naposledy počúvané“ alebo otočením a stlačením tlačidla Dalej / Predchádzajúce (3,4) vyberte rozhlasovú stanicu zo zoznamu predvolieb.
8. Stlačením tlačidla Dalej / Predchádzajúce (3,4) vyberte „Denne“, „Raz“, „O víkendoch“ alebo „Pracovných dňoch“. potom stlačením tlačidla Select (7) vyber potvrdíte.
9. Stlačte tlačidlo Next / Previous (3,4) a vyberte „Volume“. Potvrdíte stlačením tlačidla Select (7).
10. Otočením a stlačením tlačidla Vybrať (7) prepnete možnosť „Budík“ na „Zapnúť“.
11. Otočením a stlačením tlačidla Vybrať (7) zapnete možnosť „Alarm uložený“.

Nastavenie časovača vypnutia

1. Stlačením a podržaním tlačidla Menu na 2 sekundy zobrazíte hlavnú ponuku.
2. Otočte a stlačte tlačidlo Dalej / Predchádzajúce (3,4), aby ste vybrali „Systém“> „Režim spánku“.
3. Otočením a stlačením tlačidla Dalej / Predchádzajúce (3,4) nastavíte dĺžku časovača vypnutia.

Ruší sa zvukový alarm

Stlačením pohotovostného režimu (10) zrušíte akýkoľvek zvukový signál alebo stlačením tlačidla Source zrušíte a necháte rádio zapnuté.

Odklad zvukovej výstrahy

Ak chcete odložiť zvonenie budíka, stlačte tlačidlo Select / Snooze (7). Na displeji sa zobrazí odpočítavanie času, ktoré ukáže, ako dlho budík odloží. Ak chcete upraviť čas, ktorý bude budík odkladať, stlačením tlačidla Continuous Select / Snooze (7) zmeňte trvanie odloženia v 5-minútových intervaloch až na 15 minút a potom 30 minút. Na zrušenie budíka stlačte tlačidlo Standby (10).

Digitálne frekvencie: pásmo III 174 - 240 MHz, FM: 87,5 - 108 MHz

Príjem napájacieho zdroja 5V (1A) DC micro-USB (kábel je súčasťou dodávky)

Lítium-iónová nabíjateľná batéria (2000 mAh)

Vstupy 5 V DC (1A) Micro-USB napájacia zásuvka



Starostlivosť o životné prostredie. Kartónový obal odovzdajte do zberných surovín. Polyetylénové vrecko (PE) vyhodte do kontajnera na plast. Opotrebený spotrebič odovzdajte na príslušný zberný dvor, nebezpečné látky spotrebiča môžu predstavovať riziko pre životné prostredie. Elektrosprebič odstráňte tak, aby nedochádzalo k jeho ďalšiemu použitiu. Ak sa v spotrebiči nachádzajú batérie, vyberte ich a odovzdajte ich na zberné miesto osobitne. Spotrebič nevyhadzujte do kontajnera na komunálny odpad!

## УСЛОВИ ЗА СИГУРНОСТ ВАЖНЕ УПУТЕ О СИГУРНОСТИ УПОТРЕБЕ МОЛИМО ВАС ДА ПРОЧИТАТЕ И ЧУВАЈТЕ ЗА БУДУЋЕ РЕФЕРЕНЦЕ

Услови гаранције су различити, ако се уређај користи у комерцијалне сврхе.

1. Пре употребе производа пажљиво прочитајте и увек се придржавајте следећих упутстава. Произвођач није одговоран за било какву штету насталу због злоупотребе.
2. Производ се може користити само у затвореном простору. Немојте користити производ за било коју сврху која није компатибилна са њеном примјеном.
3. Важећи напон је 230В, ~ 50Хз. Из сигурносних разлога није прикладно повезати више уређаја на једну утичницу.
4. Будите опрезни када користите децу. Не дозволите деци да се играју са производом. Не дозволите деци или особама које не познају уређај да је користе без надзора.
5. УПОЗОРЕЊЕ: Овај уређај могу користити дјеца старија од 8 година и особе са смањеним физичким, осјетилним или менталним способностима, или особе без искуства или знања о уређају, само под надзором особе одговорне за њихову сигурност, или ако су добили упутства о безбедном коришћењу уређаја и ако су свесни опасности у вези са његовим радом. Деца не треба да се играју са уређајем. Чишћење и одржавање уређаја не би требало да врше деца, осим ако су старија од 8 година и ове активности се спроводе под надзором.
6. Након што завршите са коришћењем производа, увек запамтите да пажљиво извадите утикач из утичнице која држи утичницу руком. Никада не вуците кабл за напајање !!!
7. Никада не стављајте кабл за напајање, утикач или читав уређај у воду. Никада не излажите производ атмосферским условима као што су директна сунчева светлост или киша итд. Никада немојте користити производ у влажним условима.
8. Периодично проверите стање кабла за напајање. Ако је кабл за напајање оштећен, производ треба да се окрене на професионалну сервисну локацију која ће се заменити како би се избегле опасне ситуације.
9. Никад не користите производ са оштећеним каблом за напајање или ако је испуштен или оштећен на други начин или ако не ради исправно. Не покушавајте сами поправити оштећени производ јер то може довести до електричног удара. Оштећени уређај увек окрећите на професионалну сервисну локацију да бисте га поправили. Све поправке могу обавити само овлашћени сервисери. Неправилно извршена поправка може проузроковати опасне ситуације за корисника.
10. Никад не стављајте производ у близину врућих или топлих површина или кухињских уређаја као што је електрична пећница или плински пламеник.
11. Никад не користите производ близу запалјивих материја.
12. Не дозволите да кабл виси преко ивице бројача или додирује вруће површине. Никада не остављајте производ прикључен на извор напајања без надзора. Чак и када је употреба прекинута на кратко, искључите је из мреже, искључите напајање.
14. Да би се обезбиједила додатна заштита, препоручује се уградити уређај за задржавање струје (РЦД) у струјни круг, са преосталом струјом не већом од 30 мА. Обратите се професионалном електричару по овом питању.
15. Избегавајте да мокри радио.
16. Радио се може обрисати само сувом крпом. Не користите воду или течности за чишћење.
17. Специјалне дискове за чишћење ЦД плејера треба користити редовно.
18. Радио треба чувати у сувом простору.



1. LCD екран
2. Дугме за подешавање
3. Претходно / Скенирање
4. Следеће
5. Дугме за јачину звука +/-
6. Сleep 7. Изаберите / Одложити
8. Мени / информације
9. ДАБ / ФМ
10. Укључивање / искључивање напајања
11. Микро-УСБ
12. Прикључак за слушалице 3,5 мм.

#### Прво подешавање:

1. Проверите да ли је уређај потпуно напуњен. Да бисте то учинили, повежите уређај микро УСБ каблом са одговарајућим извором напајања.
2. Притисните и држите тастер за напајање (10) 2 секунде.
3. Први пут ДАБ дигитални радио
4. Када ваш ДАБ Дигитал Радио користи адаптер за напајање, притисните тастер ПОВЕР (10) да бисте укључили „укључено“ и „стање приправности“. Одржите мрежни адаптер да бисте у потпуности искључили свој Дигитал Радио.
5. Када ваш ДАБ дигитални радио користи батерије, притисните и држите тастер ПОВЕР (10) 2 секунде или искључите прекидач 'офф', покренуће ДАБ режим. Аутоматски ће тражити доступне радио станице.

#### ДАБ / ФМ тастер

##### Прелазак на режим ДАБ / ФМ

1. Када први пут пребаците ДАБ Дигитал Радио, покренут ће ДАБ режим.
2. Ако је уређај у режиму ДАБ, притисните тастер ДАБ / ФМ (9) више пута док се на екрану не појави ФМ.
3. Једном када је у режиму ФМ, ваш ДАБ Дигитал Радио подешавање почетак расположивог ФМ распона (87.50MHz) или последњу наведену ФМ станицу.
4. Да бисте ручно променили ФМ фреквенцију, проверите да нисте изабрали ниједан други подмени. Окрените ТУ +/- (за промену фреквенције за 0,05MHz).

#### Промена података о ДАБ дисплеју

1. Ако је дигитални радио ДАБ у режиму ДАБ, притисните тастер МЕНУ / ИНФО (8) да бисте изабрали различите информације које ће се приказати на екрану, као што су ДПС (сегмент динамичког напелнице), јачина сигнала, ПТИ (врста програма), ансамбл, фреквенција, квалитет сигнала, кодек бита, време, датум.
2. Ако је дигитални радио ДАБ у режиму ФМ, притисните тастер МЕНУ / ИНФО (8) да бисте изабрали различите информације које ће се приказати на екрану, као што су радио текст, ПТИ (врста програма), ПС (програмска услуга), стерео / моно, време, датум.

#### ДАБ режим - одабир опција менија

1. Ако је дигитални радио ДАБ у режиму ДАБ, притисните и држите тастер МЕНУ / ИНФО (8) да бисте ушли у листу менија и притисните дугме Сљедеће / Претходно (3,4) да бисте изабрали опцију кроз листу менија. Затим се зауставите на жељеној опцији и притисните тастер СЕЛЕЦТ (7) да бисте је потврдили. Подручје опција менија потпуно скенирање, ручно подешавање, ДРЦ, пруне, систем.

2. Потпуно скенирање - испод листе менија притисните дугме Сљедеће / Претходно (3,4) да бисте изабрали „Потпуно скенирање“ кроз листу менија, притисните тастер СЕЛЕЦТ (7) да бисте потврдили и потпуно скенирање започиње аутоматски до Када скенирање буде завршено, радио се враћа за репродукцију претходно одабране станице или прве станице на листи станица. Напомена: ако није пронађена ниједна радио станица, приказује се „Нема ДАБ станице“. За бољи пријем, проширите антену или поновите потпуно скенирање на другом месту.

3. Ручна мелодија - као и уобичајена метода скенирања, можете ручно подесити одређени канал / фреквенцију. Ово може бити корисно за подешавање антене како би се постигао најбољи могући пријем и скенирање одређеног канала ради ажурирања листе станица. У листи менија притисните дугме Сљедеће / Претходно (3,4) да бисте изабрали „Ручно подешавање“ кроз листу менија, притисните тастер за одабир (7) да бисте потврдили. Затим притисните тастер Нект / Превииус (3,4) да одаберете одређени канал / фреквенцију, а затим притисните тастер СЕЛЕЦТ (7) да потврдите поставку на Екран приказује живу индикацију јачине примљеног сигнала на одабраној фреквенцији. Подешавања ваше антене ће се очитовати у приказаној јачини сигнала.

5. Шљива - ово укључа све неважеће станице означене на списку станица са '?' испред назива станице. У листи менија, притисните дугме Сљедеће / Претходно (3,4) да бисте изабрали „Прорез“ кроз листу менија, притисните тастер СЕЛЕЦТ (7) за потврду, а затим притисните дугме Следеће / Претходно (3,4) да бисте изабрали < Да > и притисните тастер СЕЛЕЦТ (7) за потврду

- 6.0. Време - ако постоји неки ДАБ + радио сигнал, машина ће аутоматски ажурирати време, нема сигнала, такође се може подесити ручно.

\* Подесите време / датум: постављен сат / постављен минут / задати месец / датум подешавања> година подешавања> сачувано \* Опције аутоматског ажурирања: ажурирање са Било којег / ажурирање са ДАБ / ажурирање са ФМ-а / нема ажурирања

\* Подесите 12/24 сата: 12x / 24x

\* Подесите формат датума: ДД-ММ-ГГГГ / ММ-ДД-ГГГГ Кретање кроз изборник времена притиском на дугме СЕЛЕЦТ (7), одаберите одређену опцију и притисните СЕЛЕЦТ (7) промене тастера.

- 6.1. Позадинско осветљење - овај радио екран има позадинско осветљење које се може подесити. Можете да изаберете време ван позадинског осветљења екрана вашег радија. У системском менију, притисните дугме Нект / Превииус (3,4) да бисте изабрали „Бацклихт“ кроз листу менија, притисните тастер СЕЛЕЦТ (7) да бисте потврдили на „Хих“, „Медиум“ или „Лов“.

- 6.2. Језик - Језик који се користи за приказивање порука може бити изабран од следећих опција: Енглески | Францаис У системском менију притисните дугме Нект / Превииус (3,4) да бисте изабрали „Лангуаге“ кроз листу менија, притисните тастер СЕЛЕЦТ (7) за потврду. Крените кроз мени Језик притиском на дугме Сљедеће / Претходно (3,4), одаберите и зауставите се на одређеном језику. Притисните тастер СЕЛЕЦТ (7) да бисте га потврдили.

- 6.3. Фабричко ресетовање - Ова функција брише сва подешавања дефинисана од стране корисника, замењујући их са оригиналним подражавањем вредностима, тако да су време / датум, поставке / подешавања, листа ДАБ станица и унапред подешене станице изгубљене. У системском менију притисните дугме Сљедеће / Претходно (3,4) да бисте кроз листу менија изабрали „Ресетуј на фабрику“, притисните тастер СЕЛЕЦТ (7) за потврду. Затим помоћу дугмета Следеће / Претходно (3,4) изаберите <Да> и притисните тастер СЕЛЕЦТ (7) да бисте покренули фабричко ресетовање.

6.4. Верзија софтвера - користи се за приказ тренутне верзије софтвера.

У системском менију притисните дугме Сљедеће / Претходно да бисте изабрали „Верзија софтвера“ кроз листу менија, Притисните тастер СЕЛЕЦТ за потврду. Затим ће се приказати постојећа СВ верзија.

**ФМ режим - одабир опција менија**

1. Ако је дигитално радио ДАБ у режиму ФМ, притисните и држите тастер МЕНУ / ИНФО (8) да бисте ушли и у листу менија. Притисните дугме Нект / Превииоус (3,4) да бисте изабрали опцију кроз листу менија. Затим се зауставите на жељеној опцији и притисните тастер СЕЛЕЦТ (7) да бисте је потврдили. Опције менија су подешавање скенирања, подешавање звука, систем.

2. Подешавање скенирања - подразумевано се скенирање ФМ-а зауставља на било којој доступној станици (Све станице). То може довести до лошег квалитета звука са слабих станица.

Опције: Само јаке станице / Све станице У листи менија притисните дугме Сљедеће / Претходно (3,4) да бисте одабрали одређену опцију у „Подешавање скенирања“, а затим притисните тастер СЕЛЕЦТ (7) да потврдите промену у новом подешавању.

3. Аудио подешавање - подразумевано се све стерео станице репродукују у стерео. За слабе станице то може резултирати звуком лошег квалитета. Квалитет звука може се побољшати моно. Опције: Стерео дозвољено | Моно моно У листи менија притисните дугме Сљедеће / Претходно (3,4) да бисте одабрали одређену опцију у „Аудио поставци“, а затим притисните тастер СЕЛЕЦТ (7) да потврдите промену у новом подешавању. Аутоматски ће се променити у ново подешавање након 3 секунде.

**ПРЕСЕТ тастер**

Подесите 20 ДАБ станица и 20 ФМ омљених станица

1. Спремите станицу на претходно подешену листу - да бисте спремили радио станицу, изабрали жељену радио станицу, затим притисните и држите дугме ПРЕСЕТ (2) све док се на ЛЦД екрану не прикаже „Пресет стор # -( Емпти)“ или „#: сачувана радио станица“.

2. Или притисните тастер Нект / Превииоус (3,4) да одаберете жељени преднастављени број станице. Притисните тастер СЕЛЕЦТ (7) да потврдите избор, на екрану ће се приказати „Пресет # Сторед“.

**Подсетите се станице са листе подешених станица**

1. Да бисте опознали претходно постављену станицу, једном притисните тастер „ПРЕСЕТ“, или ротирајте тастер „Нект / Превииоус“ (3,4) да бисте изабрали меморисану станицу коју сте сачували. Кад на екрану буде приказано жељени претходно подешени број, притисните тастер СЕЛЕЦТ (7) да бисте га потврдили.

Напомена: Ако одаберете претходно подешену поставку којој није додељена станица, тада ће се приказати порука "Празно".

Нект / Превииоус дугме

Одабир радио станица или опција

1. Ако је ДАБ Дигитал Радио у режиму ДАБ, притисните тастер Нект / Превииоус (3,4) да бисте преслушали листу радио станица током слушања. Или притисните дугме Сљедеће / Претходно (3,4) да бисте се кретали кроз листу менија за опције.

2. Ако је ДАБ Дигитал Радио у режиму ФМ, притисните дугме Нект / Превииоус (3,4) да бисте ручно подесили фреквенцију за 0.05MHz. Или можете притиснути и задржати ТУ +/- (3,4) типку за аутоматско скенирање станице. Или притисните дугме Сљедеће / Претходно (3,4) да бисте се кретали кроз листу менија за опције.

Гумб ВОЛУМЕ +/-

подешавање јачине

Закрените дугме за јачину звука да бисте повећали или смањили јачину звука.

**Подешавање аларма и тајмера**

Можете подесити два аларма која се могу прилагодити радио станици или звуку.

Напомена: Аларми се оглашавају само када је укључен или у стању приправности и повезан са напајањем.

Аларми се не оглашавају када су искључени.

**Постављање аларма**

1. Притисните тастер Мени (8) 2 секунде да бисте приказали главни мени.

2. Окрените и притисните дугме Сљедеће / Претходно (3,4) да бисте одабрали „Систем“> „Аларм“.

3. Притисните дугме Селецт (7) да бисте променили 'чаробњака 1 за аларм'

4. Притисните дугме Нект / Превииоус (3,4) да бисте подесили сате и минуте, притисните Селецт (7) да бисте потврдили сваки одељак.

5. Притисните дугме Селецт и одаберите 'Соурце'.

6. Притисните дугме Нект / Превииоус (3,4) да бисте изабрали Буззер, 'ФМ' или 'ДАБ', а затим притисните тастер Селецт (7) за потврду.

7. Ако сте одабрали 'Дигитал Радио' или 'ФМ' радио, притисните дугме Нект / Превииоус (3,4) да бисте изабрали 'Пресет' (2). Да бисте репродуковали станицу коју сте последњи пут слушали, окрените је и притисните дугме за одабир да бисте изабрали „Последње преслушано“ или окрените и притисните дугме Следеће / Претходно (3,4) да бисте изабрали радио станицу са листе подешавања.

Напомена: Прескочите овај корак ако постављате тон аларма.

8. Притисните дугме Даље / Претходно (3,4) да бисте изабрали „Свакодневно“, „једном“, „викендима“ или „Радним данима“. а затим притисните дугме Селецт (7) за потврду.

9. Притисните дугме Нект / Превииоус (3,4) и одаберите 'Волуме'. Притисните дугме Селецт (7) за потврду.

10. Окрените и притисните Селецт (7) да бисте поставили 'Аларм' на 'Он'.

11. Окрените и притисните Селецт (7) да бисте укључили 'Аларм саве'.

**Подешавање мерача времена мировања**

1. Притисните тастер Мени 2 секунде да бисте приказали главни мени.

2. Окрените и притисните дугме Сљедеће / Претходно (3,4) да бисте одабрали 'Систем'> 'Мировање'.

3. Окрените и притисните тастер Нект / Превииоус (3,4) да подесите дужину мерача мировања.

**Отказивање звучног аларма**

Притисните Станбди (10) да бисте отказали било који звучни аларм или притисните Соурце да бисте отказали и пустили радио укључен.

**Одгајање звучног аларма**

Да бисте одгодили звучни аларм, притисните дугме Селецт / Сноозе (7). На екрану ће бити приказан тајмер одбројавања који ће показати колико дуго ће аларм одзвањати. Да бисте подесили време отказивања аларма, притисните дугме Цонтинуоус Селецт / Сноозе (7) да бисте променили трајање одлагања у интервалима од 5 минута до 15 минута, а затим 30 минута. Да бисте отказали аларм за одгору притисните дугме у стању приправности (10).



За заштиту животне средине: молимо вас да одвојите картонске кутије и пластичне кесе и одложите их у одговарајуће канте за смеће. Коришћени уређај треба да буде испоручен на наменске сакупљане тачке због оштрих компоненти, што може утицати на животну средину. Немојте одлагати овај уређај у заједничку корпу за отпатке.

## (DK) DANSKI

### SIKKERHEDSBETINGELSER VIGTIGE INSTRUKTIONER VEDRØRENDE

**SIKKERHEDSVEJLEDNING** Læs venligst omhyggeligt og hold dig til fremtidige referencer  
Garantibetingelserne er forskellige, hvis enheden bruges til kommercielt formål.

1. Ved at bruge produktet skal du læse omhyggeligt og altid overholde følgende instruktioner. Producenten er ikke ansvarlig for eventuelle skader på grund af misbrug.
2. Produktet må kun bruges indendørs. Brug ikke produktet til noget formål, der ikke er kompatibelt med dets anvendelse.
3. Den gældende spænding er 230V, ~ 50Hz. Af sikkerhedsmæssige grunde er det ikke hensigtsmæssigt at tilslutte flere enheder til et stikkontakt.
4. Vær forsigtig, når du bruger omkring børn. Lad ikke børnene lege med produktet. Lad ikke børn eller personer, der ikke kender enheden, bruge den uden tilsyn.
5. **ADVARSEL:** Denne enhed kan anvendes af børn over 8 år og personer med nedsat fysisk, sensorisk eller mental kapacitet eller personer uden erfaring eller kendskab til enheden, kun under tilsyn af en person, der er ansvarlig for deres sikkerhed, eller hvis de blev instrueret om sikker brug af enheden og er opmærksomme på de farer, der er forbundet med dens drift. Børn bør ikke lege med enheden. Rengøring og vedligeholdelse af apparatet bør ikke udføres af børn, medmindre de er over 8 år, og disse aktiviteter udføres under tilsyn.
6. Hvis du er færdig med at bruge produktet, skal du altid huske at tage forsigtigt stikket ud af stikkontakten, der holder stikket ud med hånden. Træk aldrig strømkablet !!!
7. Sæt aldrig strømkablet, stikket eller hele enheden i vandet. Udsæt aldrig produktet under de atmosfæriske forhold som direkte sollys eller regn osv. Brug aldrig produktet under fugtige forhold.
8. Kontrollér strømkabelens tilstand. Hvis strømkablet er beskadiget, skal produktet drejes til et professionelt servicested, der skal udskiftes for at undgå farlige situationer.
9. Brug aldrig produktet med et beskadiget strømkabel, eller hvis det blev tabt eller beskadiget på nogen anden måde, eller hvis det ikke fungerer korrekt. Forsøg ikke at reparere det defekte produkt selv, da det kan føre til elektrisk stød. Skift altid den beskadigede enhed til et professionelt servicested for at reparere det. Alle reparationer kan kun udføres af autoriserede servicepersonale. Den reparation, der blev udført forkert, kan medføre farlige situationer for brugeren.
10. Udsæt aldrig produktet på eller tæt på de varme eller varme overflader eller køkkenudstyr som den elektriske ovn eller gasbrænder.
11. Brug aldrig produktet tæt på brændbare stoffer.
12. Lad ikke ledningen hænge over kanten af tælleren eller røre varme overflader.
13. Lad aldrig produktet forbinde til strømkilden uden tilsyn. Selv når brugen afbrydes i en kort periode, skal du slukke for det fra netværket, tag stikket ud af stikkontakten.
14. Ved at give yderligere beskyttelse anbefales det at installere resterende strømforsyning (RCD) i strømkredsløbet, med reststrøm ikke mere end 30 mA. Kontakt professionel elektriker i denne sag.

15. Undgå at få radioen våd.
16. Radioen må kun tørres af med en tør klud. Brug ikke vand eller rengøringsvæsker.
17. Særlige diske til rengøring af cd-afspilleren skal anvendes regelmæssigt.
18. Radioen skal opbevares i et tørt rum.

Enhedsbeskrivelse (Dab Radio):

1. LCD-skærm 2. Forudindstillet knap 3. Førrige / Scan 4. Næste 5. Lydstyrke +/- Knap 6. Dvaletid 7. Vælg / Snooze
8. Menu / Info 9. DAB / FM 10. Tænd / sluk 11. Micro-USB 12. 3,5 mm hovedtelefonstik.

Første opsætning:

1. Sørg for, at enheden er fuldt opladet. For at gøre det skal du slutte enheden med Micro USB-kablet til en passende strømkilde.
2. Tryk på tænd / sluk-knappen (10) og hold den nede i 2 sekunder.
3. Første gang DAB Digital Radio
4. Når din DAB Digital Radio bruger strømadapteren, skal du trykke på POWER (10) -knappen for at tænde 'on' og 'standby'. Frakobl strømadapteren for at slukke din digitale radio helt.
5. Når din DAB Digital Radio bruger batterier, skal du trykke på POWER (10) -knappen og holde den nede i 2 sekunder eller slukke 'sluk', S-kontakten, den starter DAB-tilstand. Den scanner automatisk efter de tilgængelige radiostationer.

DAB / FM-knap

Skift til DAB / FM-tilstand

1. Første gang DAB Digital Radio skiftes, starter den DAB-tilstand.
2. Hvis enheden er i DAB-tilstand, skal du trykke gentagne gange på DAB / FM (9) -knappen, indtil FM vises på displayet.
3. Når du er i FM-tilstand, indstiller din DAB Digital Radio til starten af det tilgængelige FM-område (87,50MHz) eller den sidste listede FM-station.
4. For at manuelt ændre FM-frekvensen skal du sikre dig, at du ikke har valgt nogen andre undermenyer. Drej TU +/- (for at ændre frekvensen med 0,05 MHz).

Ændring af DAB-visningsoplysninger

1. Hvis DAB Digital Radio er i DAB-tilstand, skal du trykke på knappen MENU / INFO (8) for at vælge anden info, der skal vises på displayet, såsom DLS (Dynamic Label Segment), signalstyrke, PTY (Programtype), ensemble, frekvens, signalkvalitet, bitrate-codec, tid, dato.
2. Hvis din DAB Digital Radio er i FM-tilstand, skal du trykke på knappen MENU / INFO (8) for at vælge anden info, der skal vises på displayet, f.eks. Radiotekst, PTY (programtype), PS (programtjeneste), stereo / mono, tid, dato.

DAB-tilstand - valg af menuindstillinger

1. Hvis DAB Digital Radio er i DAB-tilstand, skal du trykke på MENU / INFO (8) -knappen og holde den nede for at åbne menulisten for at trykke på knappen Næste / Førrige (3,4) for at vælge indstillingen gennem menylisten. Stop derefter ved din foretrukne mulighed, og tryk på SELECT (7) -knappen for at bekræfte. Menuindstillingsområdet fuld scanning, manuel indstilling, DRC, beskæring, system.
2. Fuld scanning - under menulisten skal du trykke på knappen Næste / Førrige (3,4) for at vælge "Fuld scanning" gennem listen over menuer. Tryk på SELECT (7) -knappen for at bekræfte, og fuld scanning starter automatisk til Når først en scanning er afsluttet, vender radioen tilbage for at afspille den tidligere valgte station eller den første station på stationslisten.  
Bemærk: Hvis der ikke findes nogen radiostation, viser den "Ingen DAB Station". For bedre modtagelse skal du udvide antennen eller udføre den fulde scanning igen et andet sted.
3. Manuel indstilling - såvel som den normale metode til scanning, kan du også manuelt indstille til en bestemt kanal / frekvens. Dette kan være nyttigt til at justere din antenne for at opnå den bedst mulige modtagelse og scanne en bestemt kanal for at opdatere stationslisten. Under menylisten skal du trykke på knappen Næste / Førrige (3,4) for at vælge "Manuel indstilling" gennem listen over menuer. Tryk på knappen Vælg (7) for at bekræfte. Tryk derefter på knappen Næste / Førrige (3,4) for at vælge en bestemt kanal / frekvens, og tryk derefter på SELECT (7) -knappen for at bekræfte indstillingen til. Displayet viser en live indikation af den modtagne signalstyrke på den valgte frekvens. Justeringer til din antenne vises i den viste signalstyrke, der vises.

5. Beskær - dette fjerner alle ugyldige stationer, der er angivet på stationslisten med et '?' foran stationens navn. Under menuliste skal du trykke på knappen Næste / Førrige (3,4) for at vælge "Beskær" gennem listen over menuer. Tryk på SELECT (7) -knappen for at bekræfte til Tryk derefter på knappen Næste / Førrige (3,4) for at vælge < Ja>, og tryk på SELECT (7) -knappen for at bekræfte

- 6.0. Tid - hvis der er noget DAB + radiosignal, opdaterer maskinen automatisk tiden, der er ikke noget signal, kan også indstilles manuelt
- \* Indstil tid / dato: indstil time / indstil minut / indstil måned / sæt dato> sæt år> gemt
- \* Auto-opdateringsindstillinger: opdatering fra Enhver / opdatering fra DAB / opdatering fra FM
- / ingen opdatering

\* Indstil 12/24 time: 12 timer / 24 timer

\* Indstil datoformat: DD-MM-ÅÅÅÅ / MM-DD-ÅÅÅÅ Gå igennem tidsmenuen ved at trykke på SELECT (7) -knappen, vælg en bestemt mulighed, og tryk på SELECT (7) -knappen ændres.

- 6.1. Baggrundsbelysning - dette radioskærm har en baggrundsbelysning, der kan justeres. Du kan vælge tidsrummet for displayets baggrundsbelysning på din radio. Under systemmenuen skal du trykke på knappen Næste / Førrige (3,4) for at vælge "Baggrundsbelysning" gennem listen over menuen. Tryk på SELECT (7) -knappen for at bekræfte til 'Høj', 'Medium' eller 'Lav'.

- 6.2. Sprog - Det sprog, der bruges til visningsmeddelelser, kan vælges fra nedenstående indstillinger: Engelsk | Francais Under systemmenuen skal du trykke på knappen Næste / Førrige (3,4) for at vælge "Sprog" gennem listen over menuer. Tryk på SELECT (7) -knappen for at bekræfte. Gå gennem menuen Sprog ved at trykke på knappen Næste / Førrige (3,4), vælg og stop på et bestemt sprog, tryk på SELECT (7) -knappen for at bekræfte.

6.3. Fabrikindsstilling - Denne funktion rydder alle brugerdefinerede indstillinger og erstatter dem med de originale standardværdier, så tid / dato, præferencer / indstillinger, DAB-stationsliste og forudindstillede stationer er alle tabt. Under systemmenuen skal du trykke på knappen Næste / Forrige (3,4) for at vælge "Fabrikindsstilling" gennem listen over menuer. Tryk på SELECT (7) -knappen for at bekræfte til. Brug derefter knappen Næste / Forrige (3,4) til at vælge <Ja> og tryk på SELECT (7) -knappen for at starte fabriksindstillingen.

6.4. Softwareversion - dette bruges til at vise den aktuelle softwareversion.

Under systemmenuen skal du trykke på knappen Næste / Forrige for at vælge "Softwareversion" gennem menuen, og tryk på SELECT-knappen for at bekræfte. Derefter vises den eksisterende SW-version.

FM-tilstand - valg af menuindstillinger

1. Hvis DAB Digital Radio er i FM-tilstand, skal du trykke på knappen MENU / INFO (8) og holde den nede for også at gå ind i menulinjen. Tryk på Næste / Forrige (3,4) -knappen for at vælge indstillingen gennem listen over menuer. Stop derefter ved din foretrukne mulighed, og tryk på SELECT (7) -knappen for at bekræfte. Menupunkterne er scanningsindstilling, lydindstilling, system.

2. Scan-indstilling - som standard stopper FM-scanninger på en hvilken som helst tilgængelig station (Alle stationer). Dette kan resultere i lyd i dårlig kvalitet fra svage stationer.

Valgmuligheder: Kun stærke stationer / Alle stationer Tryk på knappen Næste / Forrige (3,4) under menulinjen for at vælge en bestemt mulighed i "Scanindstilling", og tryk derefter på SELECT (7) -knappen for at bekræfte ændringen til den nye indstilling .

3. Lydindstilling - som standard gengives alle stereostationer i stereo. For svage stationer kan dette resultere i lyd i dårlig kvalitet. Lydkvaliteten kan forbedres ved hjælp af mono. Valgmuligheder: Stereo tilladt | Tvungen mono Tryk på næste / forrige (3,4) -knappen under menulisten for at vælge en bestemt mulighed i "Audioindstilling", og tryk derefter på SELECT (7) -knappen for at bekræfte ændringen til den nye indstilling. Det skifter automatisk til en ny indstilling efter 3 sekunder.

PRESET-knap

Forudindstillede 20 DAB-stationer og 20 FM-favoritstationer

1. Gem en station på den forudindstillede liste - for at gemme en station, vælg din ønskede radiostation, tryk derefter på PRESET (2) -knappen og hold den nede i et sekund, indtil LCD-displayet "Preset store #: (Tom)", eller "#: gemt radiostation".

2. Tryk enten på Næste / Forrige (3,4) -knappen for at vælge det ønskede stationens forudindstillede nummer, Tryk på SELECT (7) -knappen for at bekræfte dit valg, displayet viser "Forudindstillet # gemt".

Husk en station fra listen med. forudindstillinger

1. For at hente en forudindstillet station ved at trykke på "PRESET" -knappen en gang, drej enten på Næste / Forrige (3,4) -knappen for at vælge forudindstillet station, som du har gemt. Når displayet viser det ønskede forudindstillede nummer, skal du trykke på SELECT (7) -knappen for at bekræfte.

Bemærk: Hvis du vælger en forudindstilling, der ikke har fået tildelt en station, vises "Tom".

Næste / Forrige knap

Valg af radiostationer eller indstillinger

1. Hvis DAB Digital Radio er i DAB-tilstand, skal du trykke på knappen Næste / Forrige (3,4) for at gå gennem listen over radiostationer, når du lytter. Eller tryk på knappen Næste / Forrige (3,4) for at bladre gennem menulisten for indstillinger.

2. Hvis DAB Digital Radio er i FM-tilstand, skal du trykke på knappen Næste / Forrige (3,4) for manuelt at justere frekvensen med 0,05 MHz. Eller du kan trykke på og holde TU +/- (3,4) -knappen nede for at auto-scanne stationen. Eller tryk på knappen Næste / Forrige (3,4) for at bladre gennem menulisten for indstillinger.

VOLUME +/- knap

justering af lydstyrken

Drej på lydstyrkeknapen for at øge eller sænke lydstyrken.

INDSTILLING AF ALARMER OG TIMERER

Du kan indstille to alarmer, som kan indstille til en radiostation eller lydatione.

Bemærk: Alarmer lyder kun, når der er tændt eller i standbytilstand og tilsluttet en strømforsyning.

Alarmer lyder ikke, når der er slukket.

Indstilling af en alarm

1. Tryk på Menu-knappen (8) i 2 sekunder for at få vist hovedmenuen.

2. Drej og tryk på knappen Næste / Forrige (3,4) for at vælge 'System' > 'alarm'.

3. Tryk på knappen Vælg (7) for at ændre guiden Alarm 1

4. Tryk på knappen Næste / Forrige (3,4) for at justere timer og minutter, tryk på Vælg (7) for at bekræfte hvert afsnit.

5. Tryk på knappen Vælg og vælg 'Kilde'.

6. Tryk på knappen Næste / Forrige (3,4) for at vælge Buzzer ' ', FM 'eller' DAB ' , og tryk derefter på knappen Select (7) for at bekræfte.

7. Hvis du har valgt 'Digital Radio' eller 'FM' radio, skal du trykke på knappen Next / Previous (3,4) for at vælge 'Preset' (2). For at afspille den station, du sidst har lyttet til, skal du dreje og trykke på vælgerhjulet for at vælge 'sidst lyttet' eller dreje og trykke på knappen Næste / Forrige (3,4) for at vælge en radiostation fra den forudindstillede liste.

Bemærk: Spring over dette trin, hvis du indstiller en tonealarm.

8. Tryk på knappen Næste / Forrige (3,4) for at vælge 'Dagligt'. 'En gang'. 'Weekender' eller 'hverdage'. tryk derefter på knappen Vælg (7) for at bekræfte.

9. Tryk på knappen Næste / Forrige (3,4) og vælg 'Lydstyrke'. Tryk på knappen Vælg (7) for at bekræfte.

10. Drej og tryk på Vælg (7) for at dreje 'Alarm' til 'Til'.

11. Drej, og tryk på Vælg (7) for at dreje 'Alarm gemt'.

Indstilling af sleep timer

1. Tryk på Menu-knappen i 2 sekunder for at se hovedmenuen.

2. Drej og tryk på knappen Næste / Forrige (3,4) for at vælge 'System' > 'Sleep'.

3. Drej og tryk på Næste / Forrige (3,4) -knappen for at justere længden på sleep-timeren.

Annullering af en lydalarm

Tryk på Standby (10) for at annullere enhver alarm, eller tryk på Kilde for at annullere og lade radioen være tændt.

Snoozing en lyd alarm

Tryk på knappen Select / Snooze (7) for at udsætte en lyd, der lyder. Displayet viser en nedtællingsur for at vise, hvor længe alarmer vil slukke. For at justere den tid, hvor alarmer bliver udsat af, skal du trykke på knappen Kontinuerlig Select / Snooze (7) for at ændre snooze-varigheden i intervaller på 5 minutter op til 15 minutter og derefter 30 minutter. Tryk på Standby (10) -knappen for at annullere en snoozing-alarm.





Af hensyn til miljøet. Venligst overfør papemballage til affaldspapir. Hæld polyethylenposer (PE) i plastbeholderen Slidt enhed skal returneres til det relevante punkt opbevaring, fordi det er farligt i enheden ingredienser kan udgøre en trussel for miljøet. Den elektriske enhed skal overleveres for at begrænse dets genanvendelse og brug. Hvis i enheden der er batterier, fjern dem og vende tilbage til punktet opbevares separat.

(UA) УКРАЇНСЬКА

## Умови безпеки

Умови гарантії відрізняються, якщо пристрій використовується в комерційних цілях.

1. Перед використанням продукту уважно прочитайте та завжди дотримуйтесь наступних інструкцій. Виробник не несе відповідальності за будь-які збитки, спричинені будь-яким неправильним використанням.
2. Продукт використовується тільки в приміщенні. Не використовуйте виріб для будь-яких цілей, які не сумісні з його застосуванням.
3. Використовується напруга 230В, ~ 50Гц. З міркувань безпеки не варто підключати кілька пристроїв до однієї розетки.
4. Будьте обережні при використанні навколо дітей. Не дозволяйте дітям грати з продуктом. Не дозволяйте дітям або людям, які не знають пристрій, використовувати його без нагляду.
5. УВАГА: Цей пристрій може використовуватися дітьми старше 8 років та особами зі зниженими фізичними, сенсорними або розумовими можливостями або особами, які не мають досвіду або знань про пристрій, тільки під наглядом особи, відповідальної за їх безпеку, або якщо вони проінструктовані про безпечне використання пристрою і знають про небезпеки, пов'язані з його експлуатацією. Діти не повинні грати з пристроєм. Прибирання та обслуговування пристрою не повинні здійснюватися дітьми, якщо вони не досягли 8-річного віку, і ці заходи здійснюються під наглядом.
6. Після завершення використання виробу завжди пам'ятайте, що обережно вийміть вилку з розетки, що тримає розетку рукою. Ніколи не тягніть силовий кабель !!!
7. Ніколи не кладіть кабель живлення, штепсель або весь пристрій у воду. Ніколи не піддавайте виріб атмосферним умовам, таким як пряме сонячне світло або дощ, тощо. Ніколи не використовуйте виріб у вологих умовах.
8. Періодично перевірте стан кабелю живлення. Якщо кабель живлення пошкоджено, виріб необхідно повернути у професійне місце для заміни, щоб уникнути небезпечних ситуацій.
9. Не використовуйте виріб із пошкодженим кабелем живлення або якщо він випав або пошкоджений іншим способом або якщо він не працює належним чином. Не намагайтеся самостійно відремонтувати несправний виріб, оскільки це може призвести до ураження електричним струмом. Завжди перевертайте пошкоджений пристрій у професійне місце для обслуговування. Всі ремонтні роботи можуть виконувати лише авторизовані спеціалісти служби технічного обслуговування. Неправильно виконаний ремонт може спричинити небезпечні ситуації для користувача.
10. Ніколи не кладіть виріб на гарячу або теплу поверхню або поблизу неї, а також на прилади кухні, такі як електрична піч або газовий пальник.
11. Ніколи не використовуйте продукт близький до горючих речовин.
12. Не дозволяйте шнуру повісити на край лічильника або торкнутися гарячих поверхонь.
13. Не залишайте пристрій підключеним до джерела живлення без нагляду. Навіть у

випадку короткочасного використання, вимкніть його з мережі, відключіть живлення.

14. Для забезпечення додаткового захисту рекомендується встановити в силовому контурі пристрій відсікання струму (RCD) з залишковим струмом не більше 30 мА.

Зверніться до професійного електрика з цього питання.

15. Уникайте потрапляння радіо на мокрій стан.

16. Радіо можна витирати тільки сухою тканиною. Не використовуйте воду або рідини для чищення.

17. Регулярно використовувати спеціальні диски для чищення програвача компакт-дисків.

18. Радіостанція повинна зберігатися в сухому приміщенні.

Опис пристрою (Dab Radio):

1. РК-дисплей 2. Кнопка попереднього налаштування 3. Попередня / Сканування 4. Наступна 5. Кнопка гучності +/- 6. Сон 7.

Виберіть / Відкладіть

8. Меню / Інформація 9. DAB / FM 10. Power / ON 11. Micro-USB 12. 3,5-мм роз'єм для навушників.

Перша настройка:

1. Переконайтесь, що пристрій повністю заряджений. Для цього підключіть пристрій кабелем Micro USB до відповідного джерела живлення.

2. Натисніть і утримуйте кнопку живлення (10) протягом 2 секунд.

3. Перший раз DAB Digital Radio

4. Коли ваш цифрове радіо DAB використовує адаптер живлення, натисніть кнопку POWER (10), щоб увімкнути "увімкнення" та "режим очікування". Відключіть адаптер живлення, щоб повністю вимкнути цифрове радіо.

5. Коли ваше цифрове радіо DAB використовує батареї, натисніть і утримуйте кнопку POWER (10) протягом 2 секунд або вимкніть перемикач "off", він запустить режим DAB. Він автоматично сканує наявні радіостанції.

Кнопка DAB / FM

Перехід у режим DAB / FM

1. При першому перемикач цифрового радіо DAB воно запустить режим DAB.

2. Якщо пристрій у режимі DAB, натискайте кнопку DAB / FM (9) кілька разів, поки на дисплеї не відобразиться FM.

3. Переїшовши в режим FM, ваше цифрове радіо DAB налаштується на початок доступного діапазону FM (87,50 МГц) або останню в списку FM-станцію.

4. Щоб змінити частоту FM вручну, переконайтесь, що ви не вибрали жодного іншого підменю. Поверніть TU +/- (щоб змінити частоту на 0,05 МГц).

Зміна інформації про дисплей DAB

1. Якщо цифрове радіо DAB перебуває в режимі DAB, натисніть кнопку MENU / INFO (8), щоб вибрати іншу інформацію для відображення на дисплеї, наприклад DLS (сегмент динамічної мітки), потужність сигналу,PTY (тип програми), ансамбль, частота, якість сигналу, кодек бігівної швидкості, час, дата.

2. Якщо цифрове радіо DAB перебуває в режимі FM, натисніть кнопку MENU / INFO (8), щоб вибрати іншу інформацію для відображення на дисплеї, наприклад радіотекст,PTY (тип програми),PS (послуга програми), стерео / моно, час, дата.

Режим DAB - вибір параметрів меню

1. Якщо цифрове радіо DAB перебуває в режимі DAB, натисніть і утримуйте кнопку MENU / INFO (8), щоб увійти до списку меню, щоб натиснути кнопку Next / Previous (3,4), щоб вибрати пункт зі списку меню. Потім зупиніться на бажаному варіанті та натисніть кнопку ВИБОР (7) для підтвердження. Налаштування меню області повного сканування, ручна настройка, DRC, чорнослив, система.

2. Повне сканування - в списку меню натисніть кнопку Далі / Попередня (3,4), щоб вибрати список «Повне сканування» через список меню, Натисніть кнопку SELECT (7), щоб підтвердити, і повне сканування розпочнеться автоматично до Одного разу сканування завершено, радіо повертається для відтворення раніше вибраної станції або першої станції у списку станцій.

Примітка. Якщо радіостанція не знайдена, на ній відображається "No DAB Station". Для кращого прийому подовжте антену або повторно пройдіть повне сканування в іншому місці.

3. Ручна настройка - як і звичайний метод сканування, ви також можете вручну настроїти на певний канал / частоту. Це може бути корисно для налаштування антени для досягнення найкращого можливого прийому та сканування певного каналу для оновлення списку станцій. У списку меню натисніть кнопку Далі / Попередня (3,4) для вибору "Ручна настройка" через список меню, натисніть кнопку Вибрати (7) для підтвердження. Потім натисніть кнопку Next / Previous (3,4) для вибору конкретного каналу / частоти, а потім натисніть кнопку SELECT (7) для підтвердження налаштування на На дисплеї відображається жива індикація рівня прийнятого сигналу на вибраній частоті. Налаштування антени відображатиметься у відображеній силі сигналу.

5. Чорнослив - це видаляє всі недійсні станції, зазначені у списку станцій, з '?' перед назвою станції. У списку меню натисніть кнопку Далі / Попередня (3,4), щоб вибрати список «Скрін» через список меню, Натисніть кнопку ВИБОР (7) для підтвердження, а потім натисніть кнопку Далі / Попередня (3,4), щоб вибрати < Так> та натисніть кнопку SELECT (7) для підтвердження

6.0. Час - якщо є якийсь радіосигнал DAB +, машина автоматично оновлює час, сигналу немає, також можна встановити вручну.

\* Встановити час / дату: встановити годину / встановити хвилину / встановити місяць / встановити дату> встановити рік> збережено

\* Параметри автоматичного оновлення: оновлення від будь-якого / оновлення від DAB / оновлення з FM

/ немає оновлення

\* Встановити 12/24 години: 12 годин / 24 години

\* Встановіть формат дати: DD-MM-YYYY / MM-DD-YYYY Прокрутіть меню Time, натисніть кнопку SELECT (7), виберіть конкретну

опцію та натисніть кнопку SELECT (7).

6.1. Підсвічування - цей радіодисплей має підсвітку, яку можна регулювати. Ви можете вибрати час вимкнення підсвітки дисплея вашого радіо. У меню системи натисніть кнопку Далі / Попередня (3,4) для вибору "Підсвічування" у списку меню, Натисніть кнопку ВИБОР (7), щоб підтвердити значення "Високий", "Середній" або "Низький".

6.2. Мова - мова, що використовується для відображення повідомлень, може бути обрана із наведених нижче варіантів: англійська | Français У меню системи натисніть кнопку Next / Previous (3,4), щоб вибрати список "Мова" через список меню, Натисніть кнопку SELECT (7) для підтвердження. Перейдіть через меню Мова, натиснувши кнопку Далі / Попередня (3,4), виберіть і зупиніться на певній мові. Для підтвердження натисніть кнопку ВИБОР (7).

6.3. Заводський скидання - ця функція очищає всі визначені користувачем налаштування, замінюючи їх початковими значеннями за замовчуванням, тому час / дата, налаштування / налаштування, список станцій DAB та попередньо встановлені станції втрачаються. У меню системи натисніть кнопку Далі / Попередня (3,4) для вибору пункту «Скидання заводських налаштувань» у списку меню. Для підтвердження натисніть кнопку ВИБОР (7). Потім за допомогою кнопки Next / Previous (3,4) виберіть <Yes> і натисніть кнопку SELECT (7), щоб почати скидання заводу.

6.4. Версія програмного забезпечення - використовується для відображення поточної версії програмного забезпечення. У меню системи натисніть кнопку Далі / Попередня для вибору "Версія програмного забезпечення" у списку меню, Натисніть кнопку ВИБОР для підтвердження. Потім буде показана існуюча версія SW.

Режим FM - вибір параметрів меню

1. Якщо цифрове радіо DAB перебуває у режимі FM, натисніть і утримуйте кнопку MENU / INFO (8), щоб ввести список списку також. Натисніть кнопку Далі / Попередня (3,4), щоб вибрати список у списку меню. Потім зупиніться на бажаному варіанті та натисніть кнопку ВИБОР (7) для підтвердження. Параметри меню - налаштування сканування, налаштування звуку, система.

2. Установка сканування - за замовчуванням сканування FM зупиняється на будь-якій доступній станції (Усі станції). Це може призвести до неякісного звуку зі слабких станцій.

Опції: Тільки сильні станції / Усі станції У списку меню натисніть кнопку Далі / Попередня (3,4), щоб вибрати конкретну опцію в "Налаштування сканування", потім натисніть кнопку ВИБОР (7), щоб підтвердити зміну нового налаштування. .

3. Налаштування звуку - за замовчуванням всі стереостанції відтворюються у стерео. Для слабких станцій це може спричинити низьку якість звуку. Якість звуку можна покращити за допомогою моно. Параметри: стерео дозволено | Примусове моно У списку меню натисніть кнопку Далі / Попередня (3,4), щоб вибрати конкретну опцію в "Налаштування аудіо", потім натисніть кнопку ВИБОР (7), щоб підтвердити зміну нового налаштування. Він автоматично зміниться на нове налаштування через 3 секунди.

Кнопка PRESET

Встановіть 20 DAB-станцій та 20 улюблених FM-станцій

1. Збережіть радіостанцію у попередньо встановленому списку - для збереження радіостанції, вибраної бажаної радіостанції, потім натисніть і утримуйте кнопку PRESET (2) на секунду, поки на РК-дисплеї не буде відображатися "Preset store #: (Empty)" або "№: збережена радіостанція".

2. Або натисніть кнопку Next / Previous (3,4), щоб вибрати бажаний номер станції, натисніть кнопку SELECT (7) для підтвердження вибору, на дисплеї з'явиться "Preset # Stored".

Згадайте станцію зі списку попередніх налаштувань

1. Щоб відкликати попередньо встановлену станцію, натисніть кнопку «PRESET» один раз або поверніть кнопку Next / Previous (3,4), щоб вибрати станцію, яку ви зберегли. Коли на дисплеї відображається бажаний попередньо заданий номер, натисніть кнопку SELECT (7) для підтвердження.

Примітка. Якщо ви вибрали попередньо встановлену станцію, якій не було призначено станцію, на дисплеї з'явиться "Порожня".

Наступна / Попередня кнопка

Вибір радіостанцій або опцій

1. Якщо цифрове радіо DAB перебуває у режимі DAB, натисніть кнопку Next / Previous (3,4), щоб прослухати список радіостанцій під час прослуховування. Або натисніть кнопку Далі / Попередня (3,4), щоб перейти до списку меню для опцій.

2. Якщо цифрове радіо DAB перебуває у режимі FM, натисніть кнопку Next / Previous (3,4), щоб вручну відрегулювати частоту на 0,05 МГц. Або ви можете натиснути і утримувати кнопку TU +/- (3,4) для автоматичного сканування станції. Або натисніть кнопку Далі / Попередня (3,4), щоб перейти до списку меню для опцій.

Кнопка гучності +/-

регулювання гучності

Поверніть регулятор гучності, щоб збільшити або зменшити гучність.

Встановлення будильників та таймерів

Ви можете встановити два сигнали тривоги, які можуть налаштуватися на радіостанцію або звуковий сигнал.

Примітка. Сигналізація звучить лише тоді, коли вона увімкнена або в режимі очікування та підключена до джерела живлення.

Сигнали тривоги не спрацюють, коли вимкнено.

Встановлення сигналізації

1. Натисніть утримуючі кнопку меню (8) на 2 секунди, щоб переглянути головне меню.

2. Поверніть та натисніть кнопку Далі / Попередня (3,4), щоб вибрати "Система" > "Сигналізація".

3. Натисніть кнопку Select (7), щоб змінити "майстра тривоги 1"

4. Натискаючи кнопку Next / Previous (3,4) для регулювання годин і хвилин, натисніть Select (7) для підтвердження кожного розділу.

5. Натисніть кнопку Select, виберіть "Джерело".

6. Натисніть кнопку Далі / Попередня (3,4), щоб вибрати Зумер ' , FM ' або ' DAB ' , а потім натисніть кнопку Select (7) для підтвердження.

7. Якщо ви вибрали радіо "Digital Radio" або "FM", натисніть кнопку Next / Previous (3,4), щоб вибрати "Preset" (2). Щоб відтворити радіостанцію, яку ви слухали останній час, поверніться та натисніть диск вибору, щоб вибрати "Останній прослуханий", або поверніть і натисніть кнопку Далі / Попередня (3,4), щоб вибрати радіостанцію зі списку попередніх налаштувань.

Примітка. Пропустіть цей крок, якщо ви встановлюєте сигнал про тон.

8. Натисніть кнопку Next / Previous (3,4), щоб вибрати "Щодня". "Один раз". "Вихідні дні" або "Будні дні". потім натисніть кнопку Select (7) для підтвердження.

9. Натисніть кнопку Далі / Попередня (3,4), виберіть "Гучність". Для підтвердження натисніть кнопку Select (7).

10. Поверніть та натисніть Select (7), щоб перетворити "Alarm" на "On".

11. Поверніть та натисніть Вибрати (7), щоб увімкнути "Попередження збережено".

Встановлення таймера сну

1. Натисніть утримуючи кнопку меню протягом 2 секунд, щоб переглянути головне меню.

2. Поверніть і натисніть кнопку Далі / Попередня (3,4), щоб вибрати "Система"> "Сон".

3. Поверніть та натисніть кнопку Next / Previous (3,4), щоб відрегулювати довжину таймера сну.

Скасування звукового сигналу

Натисніть Режим очікування (10), щоб скасувати будь-який звуковий сигнал, або натисніть Джерело, щоб скасувати та залишити радіо увімкненим.

Дримаючи звуковий сигнал тривоги

Щоб відкласти звуковий сигнал, натисніть кнопку Select / Snooze (7). На дисплеї з'явиться таймер зворотного відліку, який показує, як довго тривожить будильник. Щоб відрегулювати кількість часу, коли будильник буде відкладений, натисніть кнопку Неперервний Вибір / Відклад (7), щоб змінити тривалість затримки через 5-хвилинні інтервали до 15 хвилин, а потім 30 хвилин. Щоб скасувати затримку сигналу, натисніть кнопку очікування (10).

Цифрові частоти: Діапазон III 174-240 МГц, FM: 87.5-108 МГц

Приймання мікро-USB постійного струму 5 В (1 А) постійного струму (кабель)

Літій-іонна акумуляторна батарея (2000 mAh)

Входи 5В постійного струму (1А) Micro-USB розетка живлення



У інтересах навколишнього середовища.

Будь ласка, віддайте картонну упаковку в місце збору мукулатури. Політиленові мішки (PE) викинути в смітник для пластику. Відпрацьований пристрій повинен бути відправлений у відповідну точку зберігання, тому що в пристрої є небезпечні інгредієнти, які можуть становити загрозу навколишньому середовищу. Електричний пристрій потрібно повернути так, щоб обмежити його повторне використання. Якщо у пристрої є батарейки, то потрібно їх витягнути і віддати до відповідного пункту.

**CONDIZIONI DI SICUREZZA ISTRUZIONI IMPORTANTI SULLA SICUREZZA DELL'USO  
LEGGERE ATTENTAMENTE E CONSERVARE PER FUTURE RIFERIMENTI**

Le condizioni di garanzia sono diverse se il dispositivo viene utilizzato per scopi commerciali.

1. Prima di utilizzare il prodotto, leggere attentamente e rispettare sempre le seguenti istruzioni. Il produttore non è responsabile per eventuali danni dovuti a qualsiasi uso improprio.
2. Il prodotto deve essere utilizzato solo al chiuso. Non utilizzare il prodotto per scopi non compatibili con la sua applicazione.
3. La tensione applicabile è 230 V, ~ 50 Hz. Per motivi di sicurezza non è opportuno collegare più dispositivi a una presa di corrente.
4. si prega di essere prudenti quando si utilizza in giro per i bambini. Non lasciare che i bambini giochino con il prodotto. Non permettere a bambini o persone che non conoscono il dispositivo di usarlo senza supervisione.
5. **AVVERTENZA:** questo dispositivo può essere utilizzato da bambini di età superiore agli 8 anni e persone con ridotte capacità fisiche, sensoriali o mentali o persone senza esperienza o conoscenza del dispositivo, solo sotto la supervisione di una persona responsabile della loro sicurezza, o se sono stati istruiti sull'uso sicuro del dispositivo e sono consapevoli dei pericoli associati al suo funzionamento. I bambini non dovrebbero giocare con il dispositivo. La pulizia e la manutenzione del dispositivo non devono essere eseguite dai bambini, a meno che non abbiano superato gli 8 anni di età e queste attività siano svolte sotto supervisione.
6. Dopo aver terminato di utilizzare il prodotto, ricordarsi sempre di rimuovere delicatamente la spina dalla presa di corrente tenendo la presa con la mano. Non tirare mai il cavo di alimentazione !!!
7. Non mettere mai il cavo di alimentazione, la spina o l'intero dispositivo nell'acqua. Non esporre mai il prodotto a condizioni atmosferiche quali luce diretta del sole o pioggia, ecc. Non utilizzare mai il prodotto in condizioni di umidità.
8. Controllare periodicamente le condizioni del cavo di alimentazione. Se il cavo di alimentazione è danneggiato, il prodotto deve essere girato in un luogo di assistenza professionale da sostituire per evitare situazioni pericolose.
9. Non utilizzare mai il prodotto con un cavo di alimentazione danneggiato o se è stato fatto cadere o danneggiato in altro modo o se non funziona correttamente. Non tentare di riparare da soli il prodotto difettoso perché può provocare scosse elettriche. Trasformare sempre il dispositivo danneggiato in un luogo di assistenza professionale per ripararlo. Tutte le riparazioni possono essere eseguite solo da professionisti autorizzati. La riparazione eseguita in modo errato può causare situazioni pericolose per l'utente.
10. Non mettere mai il prodotto sopra o vicino alle superfici calde o calde o agli elettrodomestici della cucina come il forno elettrico o il bruciatore a gas.
11. Non utilizzare mai il prodotto vicino a combustibili.
12. Non lasciare che il cavo penda dal bordo del contatore o tocchi superfici calde.
13. Non lasciare mai il prodotto collegato alla fonte di alimentazione senza supervisione. Anche quando l'uso viene interrotto per un breve periodo, spegnerlo dalla rete, scollegare l'alimentazione.
14. Per fornire una protezione aggiuntiva, si consiglia di installare un dispositivo di corrente residua (RCD) nel circuito di potenza, con una corrente residua non superiore a 30 mA. Contattare l'elettricista professionista in questa materia.
15. Evita di bagnare la radio.
16. La radio può essere pulita solo con un panno asciutto. Non usare acqua o detergente.
17. I dischi speciali per la pulizia del lettore CD devono essere usati regolarmente.



# 18. La radio dovrebbe essere tenuta in una stanza asciutta.

Descrizione del dispositivo (Dab Radio):

1. Display LCD
2. Pulsante di preselezione
3. Precedente / Scansione
4. Successivo
5. Pulsante Volume +/-
6. Sospensione
7. Selezionare / Ripeti
8. Menu / Informazioni
9. DAB / FM
10. Accensione / Spegnimento
11. Micro-USB
12. Jack per cuffie da 3,5 mm.

Primo setup:

1. Accertarsi che il dispositivo sia completamente carico. Per fare ciò, collegare il dispositivo tramite il cavo Micro USB a una fonte di alimentazione adeguata.
2. Premere e tenere premuto il pulsante di accensione (10) per 2 secondi.
3. La prima volta la radio digitale DAB
4. Quando la radio digitale DAB utilizza l'alimentatore, premere il pulsante POWER (10) per accendere "on" e "standby". Scollega l'alimentatore per spegnere completamente la tua radio digitale.
5. Quando la radio digitale DAB utilizza le batterie, tenere premuto il pulsante POWER (10) per 2 secondi o spegnere l'interruttore "off", avvierà la modalità DAB. Cercherà automaticamente le stazioni radio disponibili.

Tasto DAB / FM

Passa alla modalità DAB / FM

1. La prima volta che si accende la radio digitale DAB, avvierà la modalità DAB.
2. Se il dispositivo è in modalità DAB, premere ripetutamente il tasto DAB / FM (9) fino a quando sul display non viene visualizzato FM.
3. Una volta in modalità FM, la radio digitale DAB si sintonizzerà sull'inizio della gamma FM disponibile (87,50 MHz) o sull'ultima stazione FM elencata.
4. Per modificare manualmente la frequenza FM, assicurarsi di non aver selezionato altri sottomenu. Ruotare TU +/- (per modificare la frequenza di 0,05 MHz).

Modifica delle informazioni sul display DAB

1. Se la radio digitale DAB è in modalità DAB, premere il pulsante MENU / INFO (8) per selezionare diverse informazioni da mostrare sul display, come DLS (Dynamic Label Segment), intensità del segnale, PTY (tipo di programma), ensemble, frequenza, qualità del segnale, codec bit rate, ora, data.
2. Se la radio digitale DAB è in modalità FM, premere il pulsante MENU / INFO (8) per selezionare diverse informazioni da mostrare sul display, come testo radio, PTY (tipo di programma), PS (servizio programma), stereo / mono, ora, data.

Modalità DAB: scelta delle opzioni di menu

1. Se la radio digitale DAB è in modalità DAB, tenere premuto il pulsante MENU / INFO (8) per accedere all'elenco dei menu. Premere il pulsante Successivo / Precedente (3,4) per selezionare l'opzione attraverso l'elenco dei menu. Quindi, fermati all'opzione preferita e premi il pulsante SELEZIONA (7) per confermare. Le opzioni del menu sono: scansione completa, sintonizzazione manuale, DRC, potatura, sistema.

2. Scansione completa: sotto l'elenco dei menu, premere il pulsante Successivo / Precedente (3,4) per selezionare "Scansione completa" nell'elenco dei menu, Premere il pulsante SELEZIONA (7) per confermare e la scansione completa si avvia automaticamente su Una volta che la scansione è completata, la radio torna a riprodurre la stazione precedentemente selezionata o la prima stazione nell'elenco delle stazioni.

Nota: se non viene trovata alcuna stazione radio, viene visualizzato il messaggio "Nessuna stazione DAB". Per una migliore ricezione, estendere l'antenna o ripetere nuovamente la scansione completa in un altro posto.

3. Sintonizzazione manuale: oltre al normale metodo di scansione, è anche possibile sintonizzarsi manualmente su un determinato canale / frequenza. Questo può essere utile per regolare l'antenna per ottenere la migliore ricezione possibile e scansionare un determinato canale per aggiornare l'elenco delle stazioni. Sotto l'elenco dei menu, premere il pulsante Successivo / Precedente (3,4) per selezionare "Sintonizzazione manuale" attraverso l'elenco dei menu, premere il pulsante Selezione (7) per confermare. Quindi premere il pulsante Successivo / Precedente (3,4) per selezionare un determinato canale / frequenza, quindi premere il pulsante SELEZIONA (7) per confermare l'impostazione su Il display mostra un'indicazione in tempo reale dell'intensità del segnale ricevuto sulla frequenza selezionata. Le regolazioni dell'antenna si manifesteranno nella potenza del segnale ricevuto visualizzata.

5. Elimina: rimuove tutte le stazioni non valide indicate nell'elenco delle stazioni con un '?' di fronte al nome della stazione. Nell'elenco dei menu, premere il pulsante Successivo / Precedente (3,4) per selezionare "Elimina" dall'elenco di menu, premere il pulsante SELEZIONA (7) per confermare, quindi premere il pulsante Successivo / Precedente (3,4) per selezionare < SI> e premere il pulsante SELEZIONA (7) per confermare

6.0. Ora: se sono presenti segnali radio DAB +, la macchina aggiorna automaticamente l'ora, non vi è alcun segnale, può anche essere impostata manualmente.

\* Imposta ora / data: imposta ora / imposta minuti / imposta mese / imposta data> imposta anno> salvato

\* Opzioni di aggiornamento automatico: aggiorna da qualsiasi / aggiorna da DAB / aggiorna da FM

/ nessun aggiornamento

\* Imposta 12/24 ore: 12 ore / 24 ore

\* Imposta il formato della data: GG-MM-AAAA / MM-GG-AAAA Scorrere il menu Ora premendo il pulsante SELEZIONA (7), selezionare un'opzione particolare e premere il pulsante SELEZIONA (7) cambia.

- 6.1. Retroilluminazione: questo display radio ha una retroilluminazione che può essere regolabile. È possibile selezionare il timeout dalla retroilluminazione del display della radio. Nel menu di sistema, premere il pulsante Successivo / Precedente (3,4) per selezionare "Retroilluminazione" nell'elenco dei menu, Premere il pulsante SELEZIONA (7) per confermare su "Alto", "Medio" o "Basso".

- 6.2. Lingua: la lingua utilizzata per visualizzare i messaggi può essere selezionata tra le opzioni seguenti: Inglese | Francais Nel menu di sistema, premere il pulsante Successivo / Precedente (3,4) per selezionare "Lingua" nell'elenco dei menu, premere il pulsante SELEZIONA (7) per confermare. Scorrere il menu Lingua premendo il pulsante Successivo / Precedente (3,4), selezionare e fermarsi in una lingua particolare, Premere il pulsante SELEZIONA (7) per confermare.

6.3. Ripristino delle impostazioni di fabbrica: questa funzione cancella tutte le impostazioni definite dall'utente, sostituendole con i valori predefiniti originali, quindi si perdono ora / data, preferenze / impostazioni, elenco delle stazioni DAB e stazioni preselezionate. Nel menu di sistema, premere il pulsante Successivo / Precedente (3,4) per selezionare "Factory Reset" attraverso l'elenco dei menu, premere il pulsante SELEZIONA (7) per confermare. Quindi, utilizzare il pulsante Successivo / Precedente (3,4) per scegliere <S> e premere il pulsante SELEZIONA (7) per avviare il ripristino delle impostazioni di fabbrica.

6.4. Versione software: consente di visualizzare la versione corrente del software.

Nel menu di sistema, premere il pulsante Successivo / Precedente per selezionare "Versione software" attraverso l'elenco dei menu. Premere il pulsante SELEZIONA per confermare. Quindi, verrà mostrata la versione SW esistente.

Modalità FM - scelta delle opzioni di menu

1. Se la radio digitale DAB è in modalità FM, tenere premuto il pulsante MENU / INFO (8) per accedere anche all'elenco dei menu. Premere il pulsante Successivo / Precedente (3,4) per selezionare l'opzione attraverso l'elenco dei menu. Quindi, fermati all'opzione preferita e premi il pulsante SELEZIONA (7) per confermare. Le opzioni di menu sono impostazioni di scansione, impostazioni audio, sistema.

2. Impostazioni di scansione: per impostazione predefinita, le scansioni FM si fermano su qualsiasi stazione disponibile (tutte le stazioni). Ciò può causare audio di scarsa qualità da stazioni deboli.

Opzioni: Solo stazioni forti / Tutte le stazioni Nell'elenco dei menu, premere il pulsante Successivo / Precedente (3,4) per selezionare una particolare opzione in "Impostazioni di scansione", quindi premere il pulsante SELEZIONA (7) per confermare la modifica alla nuova impostazione.

3. Impostazioni audio: per impostazione predefinita, tutte le stazioni stereo sono riprodotte in stereo. Per le stazioni deboli, ciò può comportare un audio di scarsa qualità. La qualità audio può essere migliorata usando mono. Opzioni: Stereo consentito | Mono forzato Nell'elenco dei menu, premere il pulsante Successivo / Precedente (3,4) per selezionare una particolare opzione in "Impostazioni audio", quindi premere il pulsante SELEZIONA (7) per confermare la modifica alla nuova impostazione. Passerà automaticamente a una nuova impostazione dopo 3 secondi.

Pulsante PRESET

Preselezionare 20 stazioni DAB e 20 stazioni preferite FM

1. Memorizzare una stazione nell'elenco preselezionato - per memorizzare una stazione, selezionare la stazione radio desiderata, quindi premere e tenere premuto il pulsante PRESET (2) per un secondo fino a quando sul display LCD "Memoria preselezionate #: (vuoto)" o "#: stazione radio salvata".

2. Premere il pulsante Successivo / Precedente (3,4) per selezionare il numero di preselezione della stazione desiderato, Premere il pulsante SELEZIONA (7) per confermare la selezione, il display mostrerà "Preset # Stored".

Richiama una stazione dall'elenco delle preselezioni

1. Per richiamare una stazione preselezionata, premere una volta il tasto "PRESET", ruotare il tasto Successivo / Precedente (3,4) per selezionare le stazioni preselezionate che sono state memorizzate. Quando il display mostra il numero di preselezione desiderato, premere il tasto SELECT (7) per confermare.

Nota: se si sceglie una preselezione a cui non è stata assegnata una stazione, verrà visualizzato "Vuoto".

Pulsante Successivo / Precedente

Scelta di stazioni radio o opzioni

1. Se la radio digitale DAB è in modalità DAB, premere il pulsante Successivo / Precedente (3,4) per scorrere l'elenco delle stazioni radio durante l'ascolto. Oppure premere il pulsante Successivo / Precedente (3,4) per scorrere l'elenco dei menu per le opzioni.

2. Se la radio digitale DAB è in modalità FM, premere il pulsante Successivo / Precedente (3,4) per regolare manualmente la frequenza di 0,05 MHz. Oppure è possibile premere e tenere premuto il pulsante TU +/- (3,4) per scansionare automaticamente la stazione. Oppure premere il pulsante Successivo / Precedente (3,4) per scorrere l'elenco dei menu per le opzioni.

Tasto VOLUME +/-

regolazione del volume

Ruotare la manopola del volume per aumentare o ridurre il volume.

IMPOSTAZIONE DI ALLARMI E TIMER

È possibile impostare due allarmi, che possono sintonizzarsi su una stazione radio o emettere suoni.

Nota: gli allarmi suonano solo quando sono accesi o in modalità standby e collegati a un alimentatore.

Gli allarmi non suonano quando è spento.

Impostazione di una sveglia

1. Tenere premuto il pulsante Menu (8) per 2 secondi per visualizzare il menu principale.

2. Ruotare e premere il pulsante Successivo / Precedente (3,4) per selezionare "Sistema"> "Allarme".

3. Premere il pulsante Selezione (7) per modificare la "Procedura guidata allarme 1"

4. Premere il pulsante Successivo / Precedente (3,4) per regolare le ore e i minuti, premere Selezione (7) per confermare ciascuna sezione.

5. Premere il pulsante Selezione per selezionare "Sorgente".

6. Premere il pulsante Successivo / Precedente (3,4) per selezionare Buzzer ' , ' FM ' o ' DAB ' , quindi premere il pulsante Select (7) per confermare.

7. Se hai scelto la radio 'Digital Radio' o 'FM', premi il pulsante Next / Previous (3,4) per selezionare 'Preset' (2). Per riprodurre la stazione ascoltata l'ultima volta, ruotare e premere il selettore Selezione per selezionare "Ultimo ascoltato" oppure ruotare e premere il pulsante Successivo / Precedente (3,4) per scegliere una stazione radio dall'elenco delle preselezioni.

Nota: saltare questo passaggio se si sta impostando un allarme di tono.

8. Premere il pulsante Successivo / Precedente (3,4) per selezionare "Giornaliero". "Una volta". "Fine settimana" o "giorni feriali". quindi premere il pulsante Selezione (7) per confermare.

9. Premere il pulsante Successivo / Precedente (3,4) selezionare "Volume". Premere il pulsante Selezione (7) per confermare.

10. Ruotare e premere Selezione (7) per impostare "Allarme" su "Acceso".

11. Ruotare e premere Selezione (7) per attivare "Allarme salvato".

Impostazione del timer di spegnimento

1. Tenere premuto il pulsante Menu per 2 secondi per visualizzare il menu principale.

2. Ruotare e premere il pulsante Successivo / Precedente (3,4) per selezionare "Sistema"> "Sospensione".

3. Ruotare e premere il pulsante Successivo / Precedente (3,4) per regolare la durata del timer di spegnimento.

Annullamento di un allarme che suona

Premere Standby (10) per annullare la sveglia o premere Sorgente per annullare e lasciare la radio accesa.

Sonnecchiare un allarme che suona

Per posporre una sveglia che suona, premere il pulsante Selezione / Ripeti (7). Il display mostrerà un timer per il conto alla rovescia per mostrare per quanto tempo rimanderà la sveglia. Per regolare l'intervallo di tempo durante il quale la sveglia verrà posticipata, premere il pulsante Selezione continua / Ripeti (7) per modificare la durata della ripetizione in intervalli di 5 minuti fino a 15 minuti, quindi 30 minuti. Per annullare una sveglia a ripetizione, premere il pulsante Standby (10).

Frequenze digitali: banda III 174-240 MHz, FM: 87,5-108 MHz

Ricezione alimentazione 5 V (1 A) DC micro-USB (cavo in dotazione)

Batteria ricaricabile agli ioni di litio (2000 mAh)

Ingressi Presa di alimentazione Micro-USB 5 V CC (1 A)



#### Prendersi cura dell'ambiente

Gli imballi di cartone devono essere smaltiti nel contenitore per la carta. I sacchetti di polietilene (PE) vanno gettati nel contenitore per la plastica. L'apparecchio usato deve essere rottamato presso un centro di raccolta autorizzato, poiché contiene elementi pericolosi che potrebbero costituire una minaccia per l'ambiente. I dispositivi elettrici devono essere resi al fine di evitare il loro riutilizzo. Se il dispositivo contiene una batteria, deve essere rimossa e smaltita separatamente in un punto di raccolta.

Non gettare l'apparecchio nei contenitori dei rifiuti urbani!

## KARTA GWARANCYJNA

WARUNKI GWARANCJI obowiązują na terenie Rzeczypospolitej Polskiej

Adler Sp. z o.o. ul. Ordon 2a 01-237 Warszawa zapewnia Użytkownika o dobrej jakości sprzętu, na który wydana jest niniejsza karta gwarancyjna i udziela 24 miesięcznej gwarancji, która liczy się od daty zakupu sprzętu. Usługi gwarancyjne świadczone są po okazaniu prawidłowo wypełnionej karty gwarancyjnej i dowodu zakupu (kopii paragonu lub faktury VAT). Wady lub uszkodzenia sprzętu ujawnione w okresie gwarancji usuwane będą bezpłatnie przez Serwis Centralny. W przypadku zakupu sprzętu przez przedsiębiorcę (faktura VAT) okres gwarancji wynosi 12 miesięcy.

W przypadku wymiany rzeczy na nową, albo po dokonaniu istotnej naprawy, okres gwarancji biegnie na nowo od chwili dostarczenia klientowi rzeczy wolnej od wad, lub zwrócenia rzeczy naprawionej. Jeżeli gwarant wymienił część rzeczy, przepis powyższy stosuje się odpowiednio do części wymienionej. Gwarant zobowiązuje się pokryć koszty dostarczenia rzeczy do serwisu na adres wskazany w karcie gwarancyjnej. Jednakże uprawniony z gwarancji powinien zachować rozsądek, wybierając środek transportu. Uprawnionemu z gwarancji nie przysługuje od gwaranta zwrot kosztów dostarczenia towaru – rzeczy do naprawy gwarancyjnej, przekraczający ekonomicznie uzasadnione koszty przewozu.

UWAGA: Sprzęt przeznaczony jest wyłącznie do użytku domowego. Naprawami gwarancyjnymi nie są objęte czynności związane z odkamienianiem, konserwacją, czyszczeniem urządzenia oraz części i akcesoria ulegające zużyciu przy normalnym użytkowaniu. Gwarancja nie obejmuje mechanicznych uszkodzeń sprzętu oraz wad i uszkodzeń wynikłych wskutek:

- niewłaściwego lub niezgodnego z instrukcją użytkowania, przechowywania i konserwacji;
- ingerencji nieautoryzowanego serwisu, samowolnych napraw, przeróbek i zmian konstrukcyjnych;
- użycia niewłaściwych materiałów eksploatacyjnych.
- uszkodzeń mechanicznych, termicznych, chemicznych i powstałych na skutek przepięcia w sieci.
- karta gwarancyjna jest nieważna bez daty zakupu, pieczęci sprzedającego i kopii dokumentu zakupu.
- gwarancją nie są objęte elementy eksploatacyjne i akcesoria w tym: elementy szklane (np. dzbanki, talerze), sznury przyłączeniowe, sieciowe, żarówki, baterie, nożyki i folie do urządzeń tnących, nasadki miksujące, trzepaki, mieszaki, ssawkoszczotki, rury, węże, kubki miksujące, głowice tnące i sita.

Reklamowany sprzęt jest dostarczany do Serwisu Centralnego przez Klienta w stanie kompletnym i odpowiednio zabezpieczony na czas transportu. Po dokonanej naprawie reklamowany sprzęt odbierany jest z Serwisu Centralnego przez Klienta.

Termin usunięcia wady może zostać wydłużony o czas potrzebny do importu niezbędnych części, nie dłuższy niż 30 dni roboczych. W każdym takim przypadku warsztat serwisowy powiadomi klienta o wydłużeniu terminu naprawy gwarancyjnej. W związku z koniecznością sprowadzenia części zamiennych i poinformuje o nowym terminie usunięcia wady.

W przypadku stwierdzenia usterki należy ją zgłosić w punkcie sprzedaży lub w Serwisie Centralnym, ul. Ordon 2A, 01-237 Warszawa, tel. 728-595-006 lub e-mail: [serwis@adler.com.pl](mailto:serwis@adler.com.pl).

W zgłoszeniu proszę podać swój adres, nr telefonu i opis usterki. Do reklamacji konieczne jest dołączenie kopii dokumentu zakupu.

Gwarancja nie wyłącza ani nie ogranicza oraz nie zawiesza uprawnień kupującego wynikających z przepisów o rękojmi za wady rzeczy sprzedanej.

SERWIS CENTRALNY

01-237 Warszawa ul.Ordon 2A

tel. 728 - 595 - 006

[serwis@adler.com.pl](mailto:serwis@adler.com.pl) [www.adler.com.pl](http://www.adler.com.pl)

.....  
(data sprzedaży)

.....  
(pieczętka sklepu i podpis sprzedawcy)

adnotacje serwisu:



### W trosce o środowisko..

Opakowania kartonowe prosimy przekazać na makulaturę. Worki polietylenowe (PE) wrzucać do pojemnika na plastik. Zużyte urządzenie należy oddać do odpowiedniego punktu składowania, gdyż znajdujące się w urządzeniu niebezpieczne składniki mogą stanowić zagrożenie dla środowiska. Urządzenie elektryczne należy oddać tak aby ograniczyć jego ponowne użycie i wykorzystanie. Jeżeli w urządzeniu znajdują się baterie należy je wyjąć i oddać do punktu składowania osobno.



**Urządzenia nie wyrzucać do pojemnika na odpady komunalne!**

OGÓLNE WARUNKI BEZPIECZEŃSTWA  
WAŻNE INSTRUKCJE DOTYCZĄCE BEZPIECZEŃSTWA UŻYTKOWANIA  
PRZECZYTAJ UWAGNIE I ZACHOWAJ NA PRZYSZŁOŚĆ

1. Przed rozpoczęciem użytkowania urządzenia przeczytać instrukcję obsługi i postępować według wskazówek w niej zawartych. Producent nie odpowiada za szkody spowodowane użytkowaniem urządzenia niezgodnie z jego przeznaczeniem lub niewłaściwą jego obsługą.
2. Urządzenie służy wyłącznie do użytku domowego. Nie używać do innych celów, niezgodnych z jego przeznaczeniem.
3. Urządzenie należy podłączyć wyłącznie do gniazdka z uziemieniem 230 V ~ 50 Hz. W celu zwiększenia bezpieczeństwa użytkowania do jednego obwodu prądu nie należy równocześnie włączać wielu urządzeń elektrycznych.
4. Należy zachować szczególną ostrożność podczas korzystania z urządzenia, gdy w pobliżu przebywają dzieci. Nie należy dopuszczać dzieci do zabawy urządzeniem nie pozwól dzieciom ani osobom nie zaznajomionym z urządzeniem na jego użytkowanie.
5. **OSTRZEŻENIE:** Niniejszy sprzęt może być użytkowany przez dzieci powyżej 8 roku życia oraz osoby o ograniczonej zdolności fizycznej, czuciowej lub psychicznej, lub osoby nie mające doświadczenia lub znajomości sprzętu, jeśli odbywa się to pod nadzorem osoby odpowiadającej za ich bezpieczeństwo lub zostały im udzielone wskazówki na temat bezpiecznego użytkowania urządzenia i mają świadomość niebezpieczeństwa związanego z jego użytkowaniem. Dzieci nie powinny bawić się sprzętem. Czyszczenie i konserwacja urządzenia nie powinna być wykonywana przez dzieci, chyba że są powyżej 8 roku życia a czynności te są wykonywane pod nadzorem.
6. Zawsze po zakończeniu używania, wyjmij wtyczkę z gniazda zasilającego poprzez przytrzymanie gniazdka ręką. **NIE** ciągnąć za sznur sieciowy.
7. Nie zanurzać kabla, wtyczki oraz całego urządzenia w wodzie lub innej cieczy. Nie wystawiaj urządzenia na działanie warunków atmosferycznych (deszczu, słońca, etc.) ani nie używaj w warunkach podwyższonej wilgotności (łazienki, wilgotne domki kempingowe).
8. Okresowo sprawdzaj stan przewodu zasilającego. Jeżeli przewód zasilający jest uszkodzony, to powinien on być wymieniony przez specjalistyczny zakład naprawczy w celu uniknięcia zagrożenia.
9. Nie używaj urządzenia z uszkodzonym przewodem zasilającym lub jeśli zostało upuszczone lub uszkodzone w jakikolwiek inny sposób lub nieprawidłowo pracuje. Nie naprawiaj urządzenia samodzielnie, gdyż grozi to porażeniem. Uszkodzone urządzenie oddaj do właściwego punktu serwisowego w celu sprawdzenia lub dokonania naprawy. Wszelkich napraw mogą dokonywać wyłącznie uprawnione punkty serwisowe. Nieprawidłowo wykonana naprawa może spowodować poważne zagrożenie dla użytkownika.
10. Należy stawiać urządzenie na chłodnej stabilnej, równej powierzchni, z dala od nagrzewających się urządzeń kuchennych jak: kuchenka elektryczna, palnik gazowy, itp..
11. Nie korzystać z urządzenia w pobliżu materiałów łatwopalnych.
12. Przewód zasilania nie może zwiisać poza krawędź stołu lub dotykać gorących powierzchni.
13. Nie wolno pozostawiać włączonego urządzenia ani zasilacza do gniazdka bez nadzoru.
14. Do zapewnienia dodatkowej ochrony, wskazane jest zainstalowanie w obwodzie elektrycznym, urządzenia różnicowoprądowego (RCD) o znamionowym prądzie różnicowym nie przekraczającym 30 mA. W tym zakresie należy zwrócić się do specjalisty elektryka.



15. Nie dopuszczać do zamoczenia radia.
16. Można przecierać radio jedynie suchą szmatką. Nie używać wody ani płynów do czyszczenia.
17. Należy regularnie używać specjalnych płyt do czyszczenia odtwarzacza CD.
18. Radio należy przechowywać w suchym pomieszczeniu.

Opis urządzenia (Dab Radio):

1. Wyświetlacz LCD 2. Przycisk Preset 3. Poprzedni / Skan 4. Następny 5. Przycisk Głośność +/- 6. Uśpienie 7. Wybierz
8. Menu / informacje 9. DAB / FM 10. Włączanie / wyłączenie zasilania 11. Micro-USB 12. Gniazdo słuchawkowe 3,5 mm.

Pierwsza konfiguracja:

1. Upewnij się, że urządzenie jest w pełni naładowane. W tym celu podłącz urządzenie kablem Micro USB do odpowiedniego źródła zasilania.
2. Naciśnij i przytrzymaj przycisk POWER (10) przez 2 sekundy.
3. Przy pierwszym uruchomieniu radio przejdzie w tryb DAB
4. Gdy cyfrowe radio DAB korzysta z zasilacza, naciśnij przycisk POWER (10), aby włączyć i włączyć tryb gotowości. Odłącz zasilacz, aby całkowicie wyłączyć radio cyfrowe.
5. Kiedy cyfrowe radio DAB korzysta z baterii, naciśnij i przytrzymaj przycisk POWER (10) przez 2 sekundy aby wyłączyć lub włączyć.

Przycisk DAB / FM

Przełączanie w tryb DAB / FM

1. Przy pierwszym włączeniu radia cyfrowego DAB uruchomi się w trybie DAB.
2. Jeśli urządzenie znajduje się w trybie DAB, naciśnij kilkakrotnie przycisk DAB / FM (9), aż na wyświetlaczu pojawi się FM.
3. Po przejściu w tryb FM radio cyfrowe DAB dostroi się do początku dostępnego zakresu FM (87,50 MHz) lub ostatniej ustawionej stacji FM.
4. Aby ręcznie zmienić częstotliwość FM, upewnij się, że nie wybrałeś innych podmenu. Obróć TU +/- (3,4) (aby zmienić częstotliwość o 0,05 MHz).

Zmiana informacji o wyświetlaniu DAB

1. Jeśli cyfrowe radio DAB jest w trybie DAB, naciśnij przycisk MENU / INFO (8), aby wybrać inne informacje do wyświetlenia na wyświetlaczu, takie jak DLS (segment etykiet dynamicznych), siła sygnału, PTY (typ programu), zespół, częstotliwość, jakość sygnału, kodek przepływności, czas, data.
2. Jeśli cyfrowe radio DAB jest w trybie FM, naciśnij przycisk MENU / INFO (8), aby wybrać inne informacje do wyświetlenia na wyświetlaczu, takie jak tekst radiowy, PTY (rodzaj programu), PS (usługa programu), stereo / mono, godzina, data.

Tryb DAB - wybór opcji menu

1. Jeśli cyfrowe radio DAB jest w trybie DAB, naciśnij i przytrzymaj przycisk MENU / INFO (8), aby przejść do listy menu, a następnie naciśnij przycisk Dalej / Poprzedni (3,4), aby wybrać opcję z listy menu. Następnie zatrzymaj się na preferowanej opcji i naciśnij przycisk WYBIERZ (7), aby potwierdzić. Obszar menu opcji pełne skanowanie, strojenie ręczne, przycinanie, system.

2. Pełne skanowanie - na liście menu naciśnij przycisk Następny / Poprzedni (3,4), aby wybrać „Pełne skanowanie” z listy menu, Naciśnij przycisk Select (7), aby potwierdzić, a pełne skanowanie rozpocznie się automatycznie po zakończeniu radio wraca do odtwarzania poprzednio wybranej stacji lub pierwszej stacji z listy stacji.

Uwaga: jeśli nie znaleziono stacji radiowej, wyświetla się komunikat „Brak stacji DAB”. Aby uzyskać lepszy odbiór, rozłóż antenę lub ponownie wykonaj pełne skanowanie w innym miejscu.

3. Strojenie ręczne - oprócz zwykłej metody skanowania, możesz także ręcznie dostroić do określonego kanału / częstotliwości. Może to być przydatne do dostosowania anteny w celu uzyskania najlepszego odbioru i przeszukiwania określonego kanału w celu aktualizacji listy stacji. Pod listą menu naciśnij przycisk Dalej / Poprzedni (3,4), aby wybrać „Manual Tune” z listy menu, naciśnij przycisk Wybierz (7), aby potwierdzić. Następnie naciśnij przycisk Dalej / Poprzedni (3,4), aby wybrać konkretny kanał / częstotliwość, a następnie naciśnij przycisk Select (7), aby potwierdzić ustawienie. Wyświetlacz pokazuje bieżące wskazanie siły odbieranego sygnału na wybranej częstotliwości. Dostosowania anteny będą widoczne w wyświetlanej sile odbieranego sygnału.

5. Przycinaj - usuwa wszystkie nieprawidłowe stacje oznaczone na liście stacji znakiem „?” przed nazwą stacji. Pod listą menu naciśnij przycisk Dalej / Poprzedni (3,4), aby wybrać „Prune” z listy menu, Naciśnij przycisk Select (7), aby potwierdzić. Następnie naciśnij przycisk Dalej / Poprzedni (3,4), aby wybrać < Yes > i naciśnij przycisk Select (7), aby potwierdzić.

- 6.0 Czas - jeśli występuje sygnał radiowy DAB +, urządzenie automatycznie zaktualizuje czas, nie ma sygnału, można go również ustawić ręcznie.

\* Ustaw godzinę / datę: ustaw godzinę / ustaw minutę / ustaw miesiąc / ustaw datę> ustaw rok> zapisano

\* Opcje automatycznej aktualizacji: aktualizacja z Dowolna / aktualizacja z DAB / aktualizacja z FM

/ brak aktualizacji

\* Ustaw 12/24 godzin: 12 godzin / 24 godziny

\* Ustaw format daty: DD-MM-RRRR / MM-DD-RRRR Przełącz menu Czas, naciskając przycisk WYBIERZ (7), wybierz konkretną opcję i przycisk zmiany WYBOR (7).

- 6.1 Podświetlenie - ten wyświetlacz radiowy ma podświetlenie, które można regulować. Możesz wybrać czas poza podświetleniem wyświetlacza radia. W menu systemowym naciśnij przycisk Dalej / Poprzedni (3,4), aby wybrać „Podświetlenie” z listy menu, Naciśnij przycisk WYBIERZ (7), aby potwierdzić „High”, „Medium” lub „Low”.

- 6.2 Język - język używany do wyświetlania komunikatów można wybrać z poniższych opcji: Angielski | Francais W menu systemowym naciśnij przycisk Dalej / Poprzedni (3,4), aby wybrać „Language” z listy menu, naciśnij przycisk SELECT (7), aby potwierdzić. Poruszaj się po menu Język, naciskając przycisk Dalej / Poprzedni (3,4), wybierając i zatrzymując w danym języku, Naciśnij przycisk Select (7), aby potwierdzić.

6.3 Przywracanie ustawień fabrycznych - ta funkcja usuwa wszystkie ustawienia zdefiniowane przez użytkownika, zastępując je oryginalnymi wartościami domyślnymi, więc czas / data, preferencje / ustawienia, lista stacji DAB i zaprogramowane stacje zostają utracone. W menu systemowym naciśnij przycisk Dalej / Poprzedni (3,4), aby wybrać „Factory Reset” z listy menu, Naciśnij przycisk WYBIERZ (7), aby potwierdzić. Następnie użyj przycisku Dalej / Wstecz (3,4), aby wybrać <Tak> i naciśnij przycisk Select (7), aby rozpocząć przywracanie ustawień fabrycznych.

6.4 Wersja oprogramowania - służy do wyświetlania aktualnej wersji oprogramowania. W menu systemowym naciśnij przycisk Dalej / Poprzedni, aby wybrać „SW Version” z listy menu, naciśnij przycisk Select (7) aby potwierdzić. Następnie zostanie wyświetlona istniejąca wersja oprogramowania.

Tryb FM - wybór opcji menu

1. Jeśli cyfrowe radio DAB jest w trybie FM, naciśnij i przytrzymaj przycisk MENU / INFO (8), aby przejść również do listy menu. Naciśnij przycisk Dalej / Poprzedni (3,4), aby wybrać opcję z listy menu. Następnie zatrzymaj się na preferowanej opcji i naciśnij przycisk WYBIERZ (7), aby potwierdzić. Opcje menu to ustawienia skanowania, ustawienia audio, system.

2. Ustawienia skanowania - domyślnie skanowanie FM zatrzymuje się na dowolnej dostępnej stacji (Wszystkie stacje). Może to spowodować słabą jakość dźwięku ze słabych stacji.

Opcje: Tylko mocne stacje / Wszystkie stacje Pod listą menu naciśnij przycisk Dalej / Poprzednie (3,4), aby wybrać określoną opcję w „Scan setting”, a następnie naciśnij przycisk Select(7), aby potwierdzić zmianę na nowe ustawienie .

3. Ustawienia audio - domyślnie wszystkie stacje stereo są odtwarzane w stereo. W przypadku słabych stacji może to spowodować słabą jakość dźwięku. Jakość dźwięku można poprawić za pomocą mono. Opcje: stereo dozwolone | Wymuszone mono Pod listą menu naciśnij przycisk Dalej / Poprzedni (3,4), aby wybrać określoną opcję w „Audio Setting”, a następnie naciśnij przycisk Select(7), aby potwierdzić zmianę na nowe ustawienie. Po 3 sekundach automatycznie zmieni się na nowe ustawienie.

Przycisk PRESET

Zaprogramuj 20 stacji DAB i 20 ulubionych stacji FM

1. Zapisz stację na liście zaprogramowanych stacji - aby zapisać stację, wybierz żądaną stację radiową, a następnie naciśnij i przytrzymaj przycisk PRESET (2) przez sekundę, aż na wyświetlaczu LCD pojawi się „Preset store #: (Empty)” lub „#: zapisana stacja radiowa” .  
2. Albo naciśnij przycisk Dalej / Poprzedni (3,4), aby wybrać żądany numer stacji, Naciśnij przycisk SELECT (7), aby potwierdzić wybór, na wyświetlaczu pojawi się „Preset # Stored”.

Przywołaj stację z listy zaprogramowanych stacji

1. Aby przywołać zaprogramowaną stację, naciśnij raz przycisk „PRESET”, następnie przycisk Dalej / Wstecz (3,4), aby wybrać zapisaną stację. Gdy na wyświetlaczu pojawi się żądany numer pamięci, naciśnij przycisk SELECT (7), aby potwierdzić.

Uwaga: Jeśli wybierzesz ustawienie wstępne, któremu nie przydzielono stacji, zostanie wyświetlony komunikat „Empty”.

Przycisk Dalej / Poprzedni

Wybieranie stacji radiowych lub opcji

1. Jeśli cyfrowe radio DAB jest w trybie DAB, naciśnij przycisk Dalej / Wstecz (3,4), aby przewijać listę stacji radiowych podczas słuchania. Lub naciśnij przycisk Dalej / Poprzedni (3,4), aby przewijać listę menu opcji.

2. Jeśli cyfrowe radio DAB jest w trybie FM, naciśnij przycisk Dalej / Poprzedni (3,4), aby ręcznie wyregulować częstotliwość o 0,05 MHz. Możesz także nacisnąć i przytrzymać przycisk TU +/- (3,4), aby automatycznie wyszukać stację. Lub naciśnij przycisk Dalej / Poprzedni (3,4), aby przewijać listę menu opcji.

Przycisk VOLUME +/-

regulacja głośności

Obróć pokrętkę głośności, aby zwiększyć lub zmniejszyć głośność.

USTAWIANIE ALARMÓW I TIMERÓW

Możesz ustawić dwa alarmy, które mogą dostroić się do stacji radiowej lub domyślny dźwięk alarmu.

Uwaga: Alarmy włączają się tylko wtedy, gdy są włączone lub w trybie gotowości i podłączone do źródła zasilania.

Alarmy nie włączają się, gdy są wyłączone.

Ustawianie alarmu

1. Naciśnij i przytrzymaj przycisk menu (8) przez 2 sekundy, aby wyświetlić menu główne.

2. Obróć i naciśnij przycisk Dalej / Poprzedni (3,4), aby wybrać „System” > „alarm”.

3. Naciśnij przycisk Wybierz (7), aby zmienić „Alarm 1”

4. Naciskając przycisk Dalej / Poprzedni (3,4), aby ustawić godziny i minuty, naciśnij Select (7), aby potwierdzić każdy wybór.

5. Naciśnij przycisk Wybierz, wybierz opcję „Source”

6. Naciśnij przycisk Dalej / Poprzedni (3,4), aby wybrać Brzęczyk, „FM” lub „DAB”, a następnie naciśnij przycisk Wybierz (7), aby potwierdzić.

7. Jeśli wybrałeś „Radio cyfrowe” lub „FM”, naciśnij przycisk Dalej / Wstecz (3,4), aby wybrać „Preset” (2). Aby odtworzyć stację, której ostatnio słuchałeś, obróć i naciśnij pokrętkę Wybierz, aby wybrać opcję „Ostatnio słuchane” lub obróć i naciśnij przycisk Dalej / Wstecz (3,4), aby wybrać stację radiową z listy zaprogramowanych stacji.

Uwaga: Pomiń ten krok, jeśli ustawiasz alarm dźwiękowy.

8. Naciśnij przycisk Dalej / Poprzedni (3,4), aby wybrać opcję „Codziennie”. „Raz”. „Weekendy” lub „Dni tygodnia”. następnie naciśnij przycisk Wybierz (7), aby potwierdzić.

9. Naciśnij przycisk Dalej / Poprzedni (3,4) i wybierz „Głośność”. Naciśnij przycisk Wybierz (7), aby potwierdzić.

10. Obróć i naciśnij Wybierz (7), aby ustawić „Alarm” na „On”.

11. Obróć i naciśnij Wybierz (7), aby włączyć „Alarm zapisany”.

Ustawianie wyłącznika czasowego

1. Naciśnij i przytrzymaj przycisk menu przez 2 sekundy, aby wyświetlić menu główne.

2. Obróć i naciśnij przycisk Dalej / Poprzedni (3,4), aby wybrać „System” > „Uśpienie”.

3. Obróć i naciśnij przycisk Dalej / Poprzedni (3,4), aby ustawić długość wyłącznika czasowego.

Anulowanie alarmu dźwiękowego

Naciśnij Standby (10), aby anulować alarm dźwiękowy lub naciśnij DAB/FM, aby anulować i pozostawić włączone radio.

Drzemka dźwiękowego alarmu

Aby odłożyć dźwięk alarmu, naciśnij przycisk Select / Sleep (6). Na wyświetlaczu pojawi się minutnik, który pokaże, jak długo alarm będzie drzemał. Aby ustawić czas drzemki, po której budzik zostanie odłożony, naciśnij przycisk Ciągłego wyboru / drzemki (7), aby zmienić czas drzemki w odstępach 5-minutowych do 15 minut, a następnie 30 minut. Aby anulować alarm drzemki, naciśnij przycisk Standby (10).

Częstotliwości Cyfrowe: pasmo III 174–240 MHz, FM: 87,5–108 MHz

Odbiór zasilania 5 V (1 A) DC micro-USB (kabel w zestawie)

Akumulator litowo-jonowy (2000 mAh)

Wejścia Gniazdo zasilania Micro-USB 5 V DC (1 A)

Urządzenie jest wykonane w II klasie izolacji i nie wymaga uziemienia.

Urządzenie jest zgodne z wymaganiami dyrektyw:

Urządzenie elektryczne niskonapięciowe (LVD)

Kompatybilność elektromagnetyczna (EMC)

Wyrób oznaczony CE na tabliczce znamionowej

# camry

Premium



Velocity Fan  
CR 7306



Air Cooler  
CR 7905



Waffle maker  
CR 3025



Hair Clipper  
CR 2821



Portable Cooler  
CR 93



Lint remover  
CR 9606



Blender  
CR 4058



Electric Blanket  
CR 7407



Travel Iron  
CR 5024



Electric Kettle  
CR 1239



Food Slicer  
CR 4702



Trimmer  
CR 2921



Bluetooth Speaker  
CR 1170



Kettle with temp. control  
CR 1289



Hair styler set  
CR 2024



Hair Dryer  
CR 2255

[www.camryhome.eu](http://www.camryhome.eu)

# Camry

Premium



Steam iron  
CR 5018



Milk Frother  
CR 4464



Stand Fan  
CR 7306



Electric Kettle  
CR 1169



Air conditioner  
CR 7907



Turntable  
CR 1113



Deep Fryer 3L  
CR 4909



Steam Cleaner  
CR 7021



Popcorn maker  
CR 4458



Chocolate Fountain  
CR 4457



Ash Vacuum 25L 1200W  
CR 7030



Retro radio  
CR 1109



Steam Iron  
CR 5029



Pressure cooker  
CR 6406



Slow Cooker  
CR 6410



Super silent vacuum cleaner  
CR 7037

[www.camryhome.eu](http://www.camryhome.eu)

# camry

Premium



Turntable with radio  
CR 1111



Waffle maker  
CR 3022



Blender  
AD 4070



Electric Kettle  
CR 1242



Steam Cleaner  
CR 5020



Automatic milk frother  
CR 4464



Portable cooler  
CR 8065



Easy Air Cooler  
CR 7318



Foldable Electric Kettle  
CR 1265



Air Cooler  
CR 7908



WINE COOLER  
CR 8068



Radio  
CR 1153



Cube Radio with bluetooth  
CR 1165



Ceramic Heater  
CR 7718



Super soft heating blanket  
CR 7418



Electric Kettle  
CR 1278

[www.camryhome.eu](http://www.camryhome.eu)