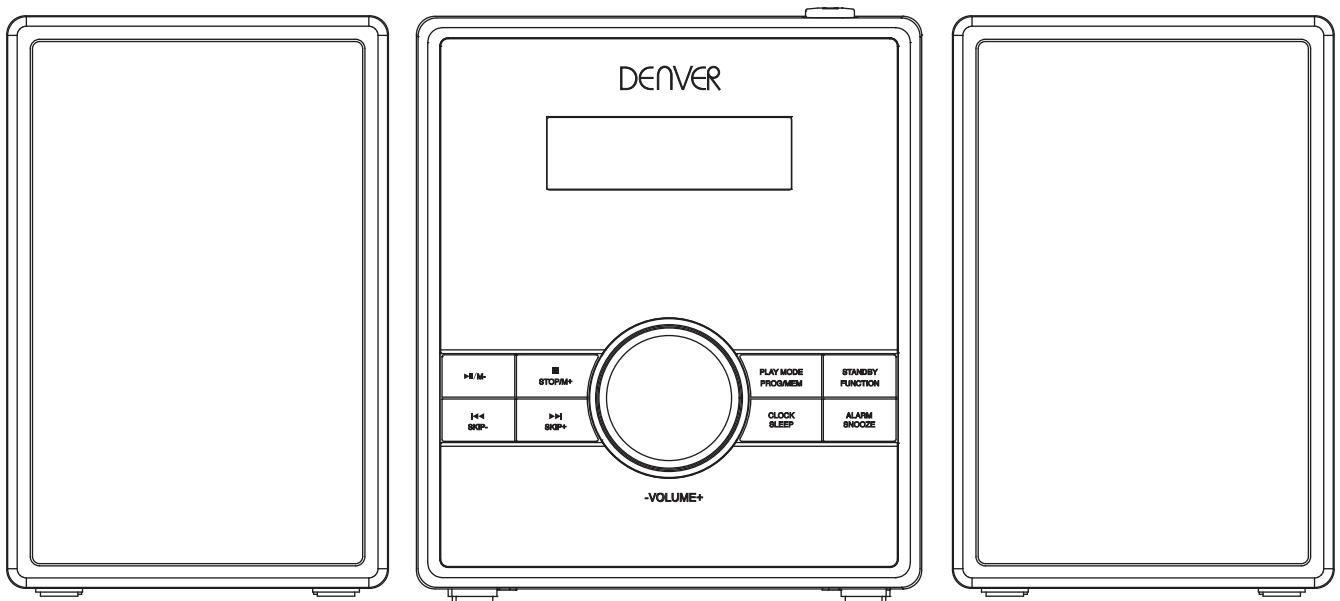


DENVER[®] ELECTRONICS

CD PLAYER WITH FM ALARM CLOCK PLL RADIO

MODEL MCA-230MK2





BEFORE OPERATING THIS PRODUCT, READ, UNDERSTAND, AND FOLLOW THESE INSTRUCTIONS.

Be sure to save this booklet for future reference.

www.facebook.com/denverelectronics

SAFETY INSTRUCTIONS

 <p>The lightning flash with arrowhead symbol, with an equilateral triangle is intended to alert the user of the presence of uninsulated dangerous voltage within the product's enclosure that may be of sufficient magnitude to constitute a risk of electric shock to persons.</p>	<p style="text-align: center;">CAUTION</p> <p style="text-align: center;">RISK OF ELECTRIC SHOCK DO NOT OPEN</p> <p>CAUTION: TO REDUCE THE RISK OF ELECTRIC SHOCK, DO NOT REMOVE COVER (OR BACK). NO USER SERVICEABLE PARTS INSIDE. REFER SERVICING TO QUALIFIED SERVICE PERSONNEL.</p>	 <p>The exclamation point within an equilateral triangle is intended to alert the user of presence of important operating and maintenance (servicing) instruction. In the literature accompanying the appliance.</p>
---	---	---

CAUTION : TO PREVENT ELECTRIC SHOCK, MATCH WIDE BLADE OF PLUG TO WIDE SLOT, FULLY INSERT.

WARNING : TO REDUCE THE RISK OF FIRE OR ELECTRIC SHOCK, DO NOT EXPOSE THE APPLIANCE TO RAIN OR MOISTURE.

SAFETY INSTRUCTIONS

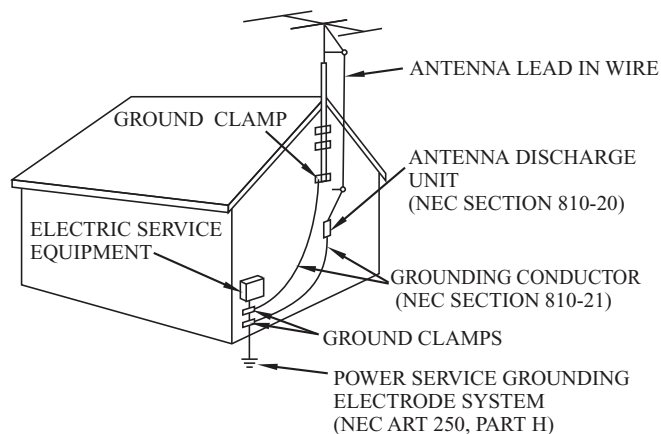
THESE IMPORTANT SAFETY INSTRUCTIONS ARE INCLUDED, AS APPLICABLE TO THE APPLIANCE, CONVEYING TO THE USER THE INFORMATION ITEMIZED BELOW

1. Read instructions-All the safety and operating instructions should be read before the appliance is operated.
2. Retain instructions-The safety and operating instructions should be retained for future reference.
3. Head Warnings-All warnings and cautions on the appliance and in the operating instructions should be adhered to.
4. Follow instructions-All operating and use instructions should be followed.
5. Water and Moisture-The appliance should not be used near water, e.g. near a bathtub, washbowl, kitchen sink, laundry tub, in a wet basement, or near a swimming pool or the like.
6. Wall or Ceiling Mounting-The appliance should not be mounted to a wall or ceiling.
7. Ventilation-The appliance should be situated so that its location or position does not interfere with its proper ventilation. For example, the appliance should not be situated on a bed, sofa, rug or similar surface that may block the ventilation openings, or placed in a built-in installation, such as a bookcase or cabinet, that may impede the flow of air through the ventilation openings.
8. heat-The appliance should be situated away from neat sources such as radiators, heat registers, stoves, or other appliances (including amplifiers) that produce heat..
9. Power Sources-The product should be operated only with the type of power supply indicated on the marking label. If you are not sure of the type of power supply to your home, consult your product dealer or local power company. For products intended to operate from battery power, or other sources, refer to the operation instructions.
10. Grounding Polarization-This product may be equipped with a polarized alternating current line plug (a plug having one blade wider than the other). This plug will fit into the power outlet only one way this is a safety feature. If you are unable to insert the plug fully into the outlet, try reversing the plug. If the plug should still fail to fit, contact your electrician to replace your obsolete outlet. Do not defeat the safety purpose of the polarized plug.
11. Power-Cord Protection-Power supply cords should be routed so that they are not likely to be walked on or pinched by items placed upon or against them, paying particular attention to cords at plugs, convenience receptacles, and the point where they exit from the appliance.
12. Cleaning-The appliance should be cleaned only as recommended by the manufacturer.
13. Nonuse periods-The power cord of the appliance should be unplugged from the outlet when left when left unused for a long period of time.
14. Object and Liquid Entry-Care should be taken so that objects do not fall and liquids are not spilled into the product case through product openings.

15. Damage Requiring Service-Unplug this product from the wall outlet and take it to qualified service personnel under the following conditions.
 - a) When the power-supply cord or plug is damaged.
 - b) If liquid has been spilled into, or objects have fallen into the product.
 - c) If the product has been exposed to rain or water.
 - d) If the product does not operate when used according to the operating instructions.

Adjust only those controls that are covered by the operating instructions as an improper adjustment of other controls may interfere with the product's normal operation.
 - e) If the product has been dropped or damaged in any way.
 - f) When the product exhibits a distinct change in performance-this indicates a need for service.
16. Servicing-The user should not attempt to service the product beyond that described in the operating instruction. All servicing should be referred to qualified service personnel.
17. Power Lines-An outside antenna system should not be located in the vicinity of overhead power lines, or other electric light or power circuits, or where it can fall into such power lines or circuits. When installing an outside antenna system, extreme care should be taken to keep from touching power lines or circuits as contact with them might be fatal.
18. If an outside antenna is connected to the receiver, be sure the antenna system is grounded so as to provide some protection against voltage surges and built up static. Section 810 of the National Electrical Code ANSI/NEFA 70 provides information with respect to proper grounding of the mast and supporting structure, grounding conductress, location of antenna-discharge unit, size of grounding electrodes, and requirements for the grounding electrode (see figure).
19. Cleaning-Unplug this product from the wall outlet before cleaning. Do not use liquid cleaners or aerosol cleaners. Use a damp cloth for cleaning.
20. Lightning-For added protection for this product during a lightning storm, or when it is left unattended and unused for long periods of time, unplug it from the wall outlet and disconnect the antenna or cable system. This will prevent damage to the product due to lightning and power-line surges.
21. Safety Check-Upon completion of any service or repairs to this product, ask the service technician to perform safety checks to determine that the product is in proper operation condition.
22. Overloading-Do not overload wall outlets, extension cords, or integral convenience receptacles as this can result in a risk of fir or electric shock.

EXAMPLE OF ANTENNA GROUNDING AS PER NATIONAL ELECTRICAL CODE



NEC NATIONAL ELECTRICAL CODE

Do not apply oil or petroleum products to this product.

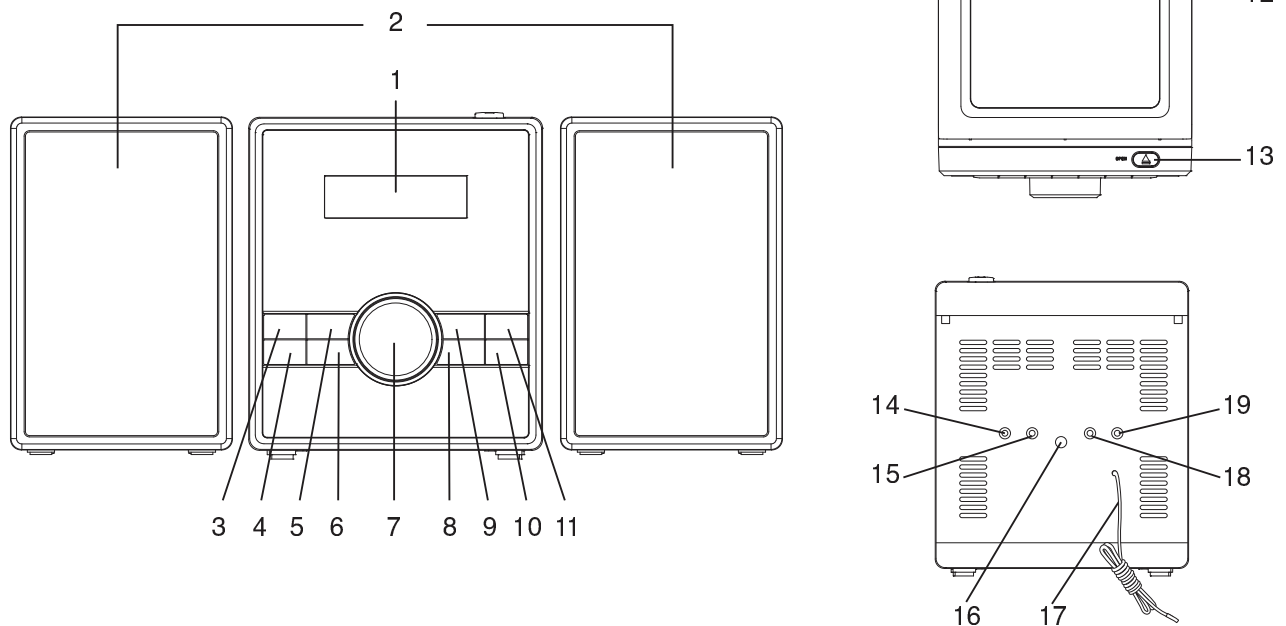
CAUTION

Invisible laser radiation will be emitted when the product is open and interlocks are defeated. Do not defeat the safety interlocks.

GRAPHIC SYMBOLS WITH SUPPLEMENTARY MARKINGS ARE LOCATED ON THE BOTTOM OF THE UNIT.

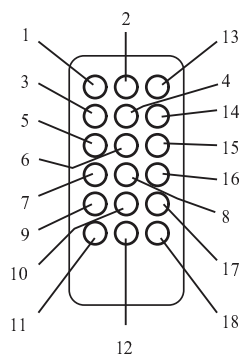
USE OF CONTROLS, ADJUSTMENTS, OR PERFORMANCE PROCEDURE HEREIN MAY RESULT IN HAZARDOUS RADIATION EXPOSURE.

LOCATION OF CONTROLS



- | | |
|----------------------------|-----------------------------|
| 1. LCD display | 11. STANDBY/FUNCTION button |
| 2. SPEAKER | 12. CD Door |
| 3. PLAY/PAUSE / M- button | 13. CD Door open button |
| 4. SKIP- button | 14. AUX jack |
| 5. STOP / M+ button | 15. Phone jack |
| 6. SKIP+ button | 16. DC jack |
| 7. Volume control | 17. FM antenna |
| 8. CLOCK / SLEEP button | 18. Right speaker jack |
| 9. MODE/PROG/MEMORY button | 19. Left speaker jack |
| 10. ALARM/SNOOZE button | |

REMOTE CONTROL



- | | |
|-----------------------|------------------------|
| 1. Standby button | 10. Memory button |
| 2. Function button | 11. Time button |
| 3. Stop button | 12. Snooze button |
| 4. Volume + button | 13. Mute button |
| 5. SKIP- button | 14. Mode button |
| 6. Play/ Pause button | 15. SKIP+ button |
| 7. M-DN (M-) button | 16. M-UP (M+) button |
| 8. Volume - button | 17. Prog button |
| 9. Alarm button | 18. Sleep button |

Unit Power Supply

This unit is designed to operate on wither AC/DC adaptor.

Operation with AC/DC Adaptor.

Insert the small plug of adaptor into the DC Jack.

Insert the AC/DC adaptor in to any convenient having AC~230V 50Hz household outlet in vertical or horizontal direction.

TO SET THE CLOCK TIME

In Standby off mode.

1. Press and hold the CLOCK BUTTON on the unit or TIME BUTTON on the remote, the digit will blink on the display, then press SKIP+ / SKIP- button to desired 24H / 12H, and press the the CLOCK BUTTON on the unit or TIME BUTTON on the remote to confirm
2. Then press the SKIP+ / SKIP- Button to set the desired HOUR,
3. Then press the CLOCK BUTTON on the unit or TIME BUTTON on the remote again, the MINUTE will blink.
4. Press the SKIP+ / SKIP- Button to set desired MINUTE.
5. Press the CLOCK BUTTON on the unit or TIME BUTTON on the remote to confirm

TO SET ALARM FUNCTION

In Standby off mode

1. Press and hold the ALARM button, the AL1 icon and HOUR time will blink.
2. Then press the SKIP+ / SKIP- button to set the Desire Hour
3. Press the ALARM button, The MIN time will blink
4. Then press again SKIP+ / SKIP- to set the Desire Minute.
5. After setting the alarm time as your desired, to press ALARM button again. You can now select whether the alarm should go on to Buzzer, Radio or CD

Wake to buzzer

Press the SKIP+ / SKIP- button until "bb" is shown in the display. At the set time the alarm will go on buzzer sound

Wake to Radio

Press the SKIP+ / SKIP- button until "rad" is shown in the display. At the set time the alarm will go on at the radio station you last listened to.

Wake to CD

Press the SKIP+ / SKIP- button until the "Cd" is shown in the display. This feature only works when you have a CD inserted in the CD drive. This CD will be played at the set alarm time

1. Press the ALARM button again to confirm your settings for Alarm 1.
2. The alarm icon (AL2) appears and the HOUR time is blinking.
3. Repeat step 2-5 in order to set Alarm 2.

To select which of the 2 alarms should be active, press the ALARM button repeatedly while the unit is in standby mode (clock display). The display will show consecutively the AL1 icon, the AL2 icon, the both Alarm icons. Press the ALARM button once again to deactivate the alarms (no alarm icon will be displayed).

SNOOZE FUNCTION

If you want to snooze a few more minutes, press the SNOOZE button, it will deactivate the sound for 9 minutes and will shown "SNOOZE" on the LCD Display. To turn off the snooze function, press the STANDBY button.

Turning Off the Alarm:

To switch off an alarm while active, press the STANDBY button, the alarm will reset for next day

RADIO OPERATION

1. Press the STANDBY/FUNCTION button on the unit repeatedly, until the frequency shown on the display

OR, press the STANDBY button on the remote to turn on the unit, then press the FUNCTION button on the remote until the frequency shown on the display

How to use the buttons for radio

- Manual Tuning

- Press the SKIP+ / SKIP- button to search for desired frequency.

- Automatic Tuning

- i) Press and hold the SKIP+ / SKIP- button until the display frequency starts run.

- ii) When a station of sufficient strength has been found Tuning will stop or you can stop the automatic tuning by pressing SKIP+ / SKIP- button.

2. To switch off the radio, press the STANDBY button on the remote once OR press and hold the STANDBY/FUNCTION button on the unit, until the normal time shown on the display

PRESET TUNING

1. Select your desired station according to the normal tuning procedure.

2. Press the MEMORY button, "P01" will appear and flash in the LCD, Then use SKIP+ / SKIP- button to change the number where the station will be stored. (P01 to P20)

3. Store the current frequency by pressing MEMORY button again when you get the desired number.

4. Repeat the same procedure to set other desired frequencies into Memory No.1 to NO.20

Note: The unit can be preset up to 20 stations.

MEMORY RECALL

Recall the stored frequencies by pressing M- or M+ button select 1 to 20 stations as desired

NOTE: As stored frequencies can only be stored for long time with the power supplying. The station you stored will be lost and can not be recalled in case that you cut off the power.

PLAYING A COMPACT DISC (CD)

NOTE: Never touch the laser lens inside of the CD compartment. Clean the laser lens with a CD cleaner disc if it becomes dirty.

1. Press the STANDBY/FUNCTION button on the unit repeatedly, until the CD icon shown on the display
OR, press the STANDBY button on the remote to turn on the unit, then press the FUNCTION button on the remote until the CD icon shown on the display

2. Open the CD DOOR and insert a CD into the tray with printed label side facing up.

3. Close the CD DOOR and the disc will rotate for a few seconds and then play automatically.

4. Use the SKIP+ / SKIP- button to choose a track

5. Press the PLAY/PAUSE BUTTON again to PAUSE play.

6. Press the STOP BUTTON to STOP play.

7. To turn off the unit, press the STANDBY button on the remote once OR press and hold the STANDBY/FUNCTION button on the unit, until the normal time shown on the display

REPEAT FUNCTION

1. Press the MODE button once during playback, the \square sign will show on LCD Display. The same track will be repeated over and over.

2. Press the MODE button second time to repeat all tracks. The "ALL \square " sign will show on the LCD display.

3. To cancel REPEAT PLAY, Press the MODE button repeatedly until the all sign disappeared.

RANDOM PLAY

1. IN CD Play mode, press the MODE button until "RAND" will appear on LCD Display.
2. Then it will enable random tracks play.
3. To cancel RANDOM PLAY, press the MODE button again, "RAND" will disappear on the display

REVERSE/FORWARD Skip & Search

1. The SKIP- / SKIP+ buttons can be used to jump to a different track number or to scan disc tracks.
2. Press the SKIP- button once to listen the beginning of the current track. Press it two or more times to hear previous tracks on the disc.
3. Press the SKIP+ button to move to the next track on the disc.
4. Press and hold the SKIP- button, the current track will be scanned and move backwards to the previous track(s); when the desired track section is found, release the button and normal play will resume.
5. Press and hold the SKIP+ button, the current track will be scanned and move forward to the next track(s); When the desired track section is found, release the selected button and normal play will resume.

PROGRAM FUNCTION

The Program feature can be used to program up to 20 tracks to play in a selected order.

1. While in the stop mode only (CD is not playing), press the PROG Button, LCD Display will show the wording "PROG" & "P01".
2. Press the SKIP+ / SKIP- button to allocate the desired track.
3. Press the PROG button to select and store the track into memory.
4. Repeat step 2 to 3 to select up to 20 tracks.
5. To play the selected tracks (in the program mode), press the PLAY/PAUSE button. The "PROG" appear on LCD Display.
6. Press the SKIP- button to hear the previous or press the SKIP+ button to hear next program track.

Note: After all of the programmed tracks have played, the CD player will return to the stop mode. To clear the programmed tracks from memory, press STOP button until "PROG" disappear

SLEEP FUNCTON IN STANDBY ON MODE

1. Tune in the desired radio station or CD play or AUX mode and adjust the volume control.
2. Press the SLEEP Button. The "90" will appear on the display.
3. Repeatedly press the SLEEP Button for desired sleep time between 90, 80, 70, 60, 50, 40, 30, 20, 10 minutes.
4. The unit will automatically switch off when the SLEEP time expires.

AUX INPUT JACK

1. Press the STANDBY/FUNCTION button on the unit repeatedly, until the "AUX" shown on the display. OR, press the STANDBY button on the remote to turn on the unit, then press the FUNCTION button on the remote until the AUX icon shown on the display.
2. Connect the AUX connect wire from the out jack of your Personal Player such as portable MP3 player to the AUX input jack.
3. Play Start from your Personal Player.

HEADPHONE JACK

This unit will accept stereo headphones with a Φ 3.5mm plug. Before connecting the headphones set the volume to minimum level as not to damage your ears or the headphones. Connect the headphones to the headphones jack. The speakers will be automatically disconnected.

Warning: Prolonged exposure to high sound levels may permanently damage your hearing. You may not hear some warning sound while wearing these headphones.

ALL RIGHTS RESERVED, COPYRIGHT DENVER ELECTRONICS A/S

DENVER®

www.denver-electronics.com



Electric and electronic equipment and included batteries contains materials, components and substances that can be hazardous to your health and the environment, if the waste material (discarded electric and electronic equipment and batteries) is not handled correctly.

Electric and electronic equipment and batteries is marked with the crossed out trash can symbol, seen below. This symbol signifies that electric and electronic equipment and batteries should not be disposed of with other household waste, but should be disposed of separately.

As the end user it is important that you submit your used batteries to the appropriate and designated facility. In this manner you make sure that the batteries are recycled in accordance with legislature and will not harm the environment.

All cities have established collection points, where electric and electronic equipment and batteries can either be submitted free of charge at recycling stations and other collection sites, or be collected from the households. Additional information is available at the technical department of your city.

Imported by:
DENVER ELECTRONICS A/S
Stavneagervej 22
DK-8250 Egaa
Denmark
www.facebook.com/denverelectronics