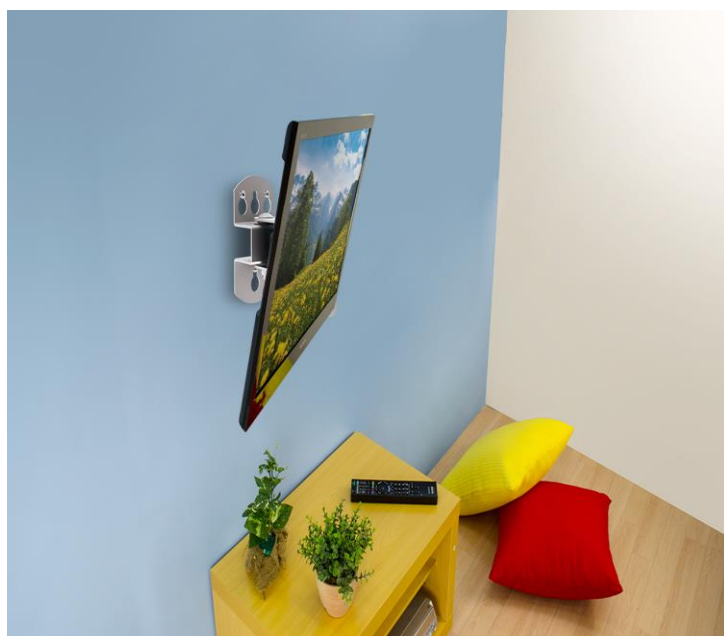
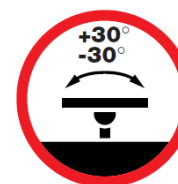
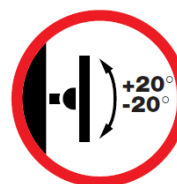
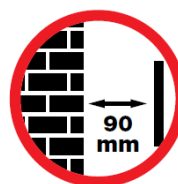
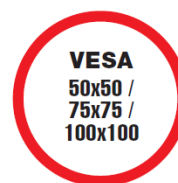
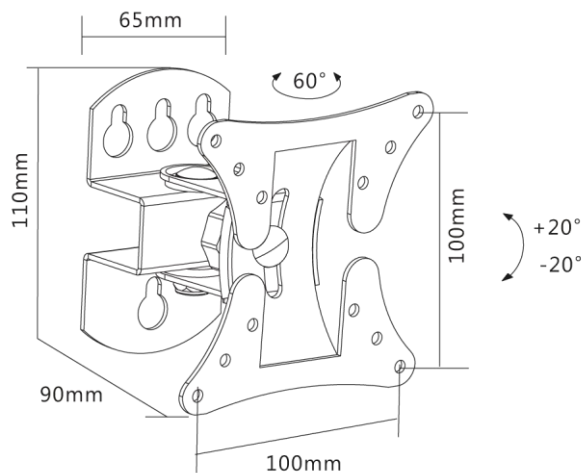


reflecta FLEEXO 27-1010T



Characteristics:

- Max loading weight of 30 kg
- 13-27" / 33-68 cm
- Vesa: 100x100, 75x75, 50x50,
- Distance to wall: 90 mm
- Tilt: +/-20°
- Swivel: +/-30°

Code: 23114

EAN: 4005039661402

Specifications are subject to change without notice

reflecta gmbh

Merkurstrasse 8

D 72184 Eutingen

Phone: +49 (0) 7457 9465-60

Fax: +49 (0) 7457 9465-72

e-mail: mail@reflecta.de

http: www.reflecta.de