

PRODUCT INFO Heatit Z-TRM3



FUNCTIONS

- Floor sensor
- Internal room sensor
- External room sensor (wired)
- Temperature limiter
- SmartStart
- Weekly program/setback via gateway)
- Temperature shown in gateway
- Supports encryption mode: S0, S2 Authenticated Class, S2 Unauthenticated Class
- Firmware update (OTA)
- Power metering
- Relay status LED
- Single pole switch
- Lock mode/child lock
- Calibration
- 5 associations

This product is a security-enabled Z-Wave Plus product with encryption. The product must be used with a security-enabled Z-Wave Controller in order to fully utilize the product.

TECHNICAL DATA

Protocol	Z-Wave
Chip	Z-Wave 500 chip
Rated voltage	230VAC 50/60Hz
Max load	3600W (resistive load) 750W self-limiting heating cable
Max current	16A
Power consumption	<2.0W
Ambient temperature	2°C to 40°C (during operation)
Temperature range	5°C to 40°C
Hysteresis	0.3°C to 3.0°C (default 0.5°C)
Compatible with NTC sensors with values	10, 12, 15, 22, 33 and 47 kΩ @ 25°C
IP Code	IP 21

Approvals Z-Wave Plus, CE
EN 60730-1, EN 60730-2-9, EMC 2014/30/EU, RoHS 2011/65/EU, LVD 2014/35/EU

Approved for use in bathrooms.

TERMINAL

Use 1.5mm² or 2.5mm² according to load.

MAINTENANCE

The product is maintenance-free, but must not be covered.

WARRANTY

2 years

HEATIT Z-TRM3

- electronic thermostat



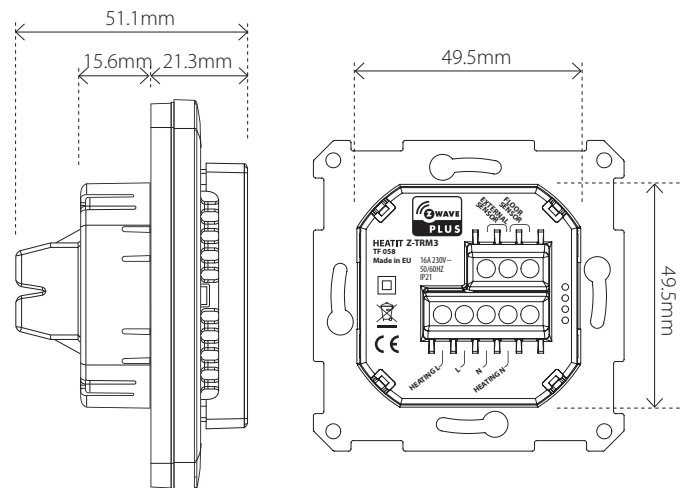
HEATIT Z-TRM3
White RAL 9003

HEATIT Z-TRM3
Black RAL 9011

Heatit Z-TRM3 is an electronic thermostat for electrical floor heating, designed to be mounted in a standard flush box. The thermostat has a built-in Z-Wave chip that can be connected with Home Automation systems. Heatit Z-TRM3 has SmartStart. This feature allows the user to include all devices with SmartStart by scanning the QR codes on the devices. On startup all the devices will automatically be included in the gateway (requires SmartStart compability). This saves the installer a lot of work.

Heatit Z-TRM3 is equipped with a single pole switch and fits into System 55 frames. The thermostat can withstand a load of max 16A/3600W at 230VAC. At higher loads the thermostat must control a contactor. The thermostat may be connected to two wired external sensors. The thermostat has the capacity of up to 5 associations (relays, wall plugs etc.).

The thermostat is designed for electrical heating.



ART. NO.	PRODUCT	COLOR	FREQUENCY
54 305 99	Heatit Z-TRM3 thermostat 3600W 16A	White RAL 9003	EU 868,4MHz
54 305 98	Heatit Z-TRM3 thermostat 3600W 16A	Black RAL 9011	EU 868,4MHz
54 304 46	Plastic kit for Heatit (front and frame)	Black RAL 9011	
99 305 60	Heatit Z-TRM3 thermostat 3600W 16A	White RAL 9003	RU 869,0MHz
99 305 51	Heatit Z-TRM3 thermostat 3600W 16A	White RAL 9003	AUS 921,4MHz

The product is also available in other Z-Wave frequency versions on request.

Product specifications may change without further notice. All electrical installations must be carried out by a licensed electrician. The product must be installed in accordance with national building codes and our installers manual.