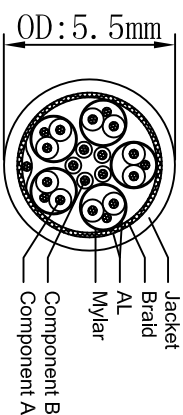
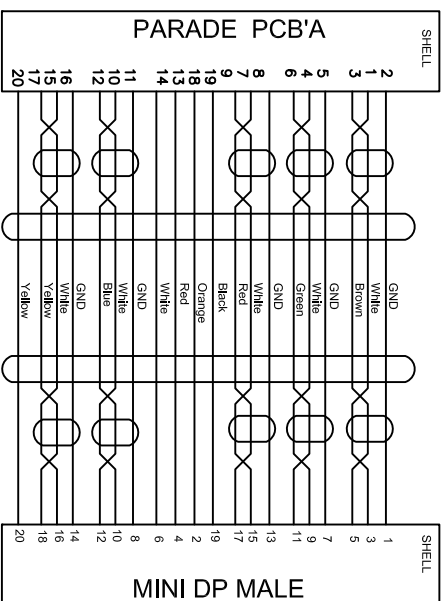
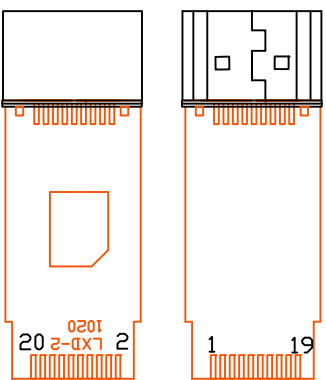
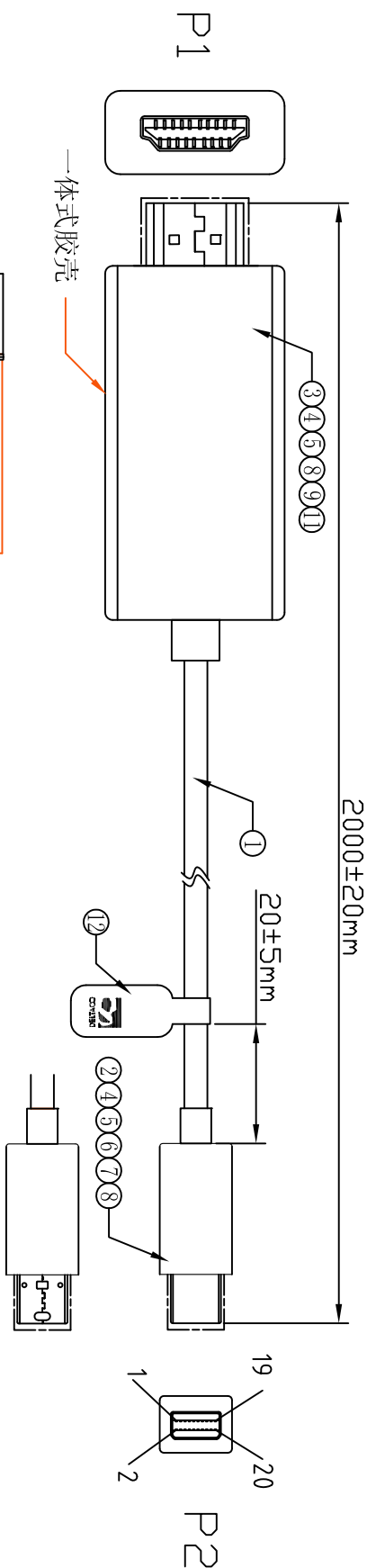


RoHS Compliant

REV A0 DESCRIPTION OF CHANGE INITIAL RELEASE

DATE 2012-07-23



- NOTES:
- ELECTRICAL PROPERTIES:
    - 100% open and short test.
    - Conductor resistance: 5 OHMS
    - Insulation resistance: 10 MEGOHMS
    - Hi pot: DC300V/0.01S
    - Audio & Video test, Output resolution: 1920\*1080 P
  - All material be ROHS compliant.

NO.	Material name	Item number	Specifications Description	Quantity
12	Tag	AM-R000300	Black background, White character (DP-HDMI204)	1Pcs
11	Lid	SI-RK00066	HDMI (M) Black Shell	1Pcs
10	Lid	SI-RK0125	Mini DP Black Shell	1Pcs
9	Shell	SI-RK00035	HDMI Black Shell (smooth)	1Pcs
8	Dust cap	OR-0022	HDMI Dust cap	1Pcs
7	Dust cap	OR-0007	Mini DP Dust cap	1Pcs
6	Shell	SI-RK00094	Mini DP Black Shell (smooth)	1Pcs
5	PVC	PVC-0001	60P Black PVC	1.45g
4	PE	PE-0001	LPE (Rolls)	5.60g
3	Connector	BE-F-014-04-PR	HDMI (M) PCB'A (Parade), gold-plated	1Pcs
2	Connector	CK-G0001	Mini DP (M), gold-plated	1Pcs
1	Cable	DP1-55-3207	UL20276(32AWG)*1P-D+AL/MT*5C-32AWG*5C-M/AL+BRALD, JACKET PVC Black, OD=5.5±0.20mm L=1950+10/-0mm	1Pcs

图号 (DWG NO)	XV-A0491	单位 (UNIT):	MM		TITLE	Mini DP to HDMI Cable
版次 (REV):	A0	比例 (SCALE)	1:1			
设计 (DESIGN)	Dean	DIMENSIONS ARE IN MILLIMETERS TOLERANCES:		LINEAR: X ±1.0 XX ±0.15 XXX ±0.05 XXXX ±0.05 ANGULAR: ±0.5	PART NO	DP-HDMI204
审核 (CHECKED)		DESIGN (DESIGN)				
核准 (APPROVED)		PAGE: 1/1				