

LogiLink®

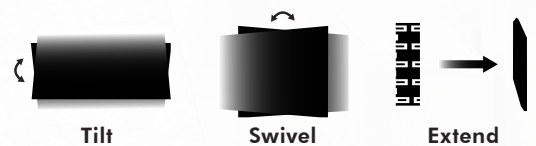
Full Motion TV Wall Mount For 50"–90" Flat and Curved TVs

Art. No.: BP0151



View Beyond the Frame

Immerse yourself in a better viewing experience with this Full Motion TV Wall Mount; comes with an extra arm extension, tilt and swivel for creating the best viewing angles. A perfect combination of functional design, quality and value.



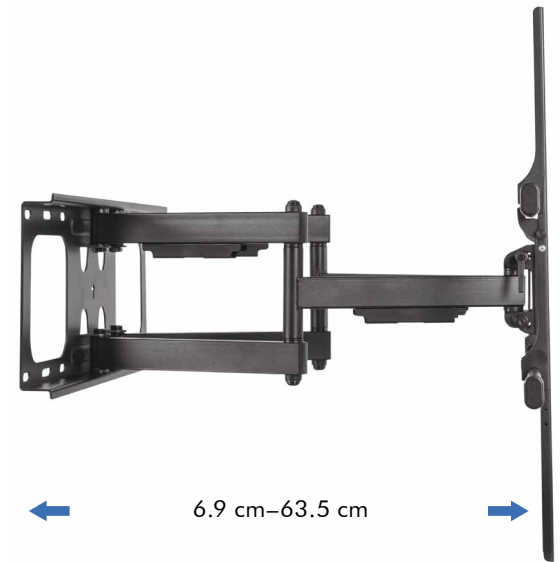
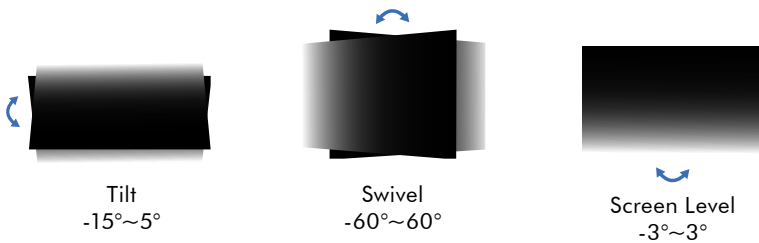
*The specifications and pictures are subject to change without prior notice.
*All trade names referenced are the registered trademarks of their respective owners.





Enhance Your Viewing Experience

The TV wall mount keeps your TV as close as 6.9 cm from the wall for out-of-the-way convenience, but can be extended out to 63.5 cm. It also swivels 120° and tilts -15° to 5°. Perfect for providing great viewing angles from anywhere in the room.



Convenient Quick-Release Design

The quick-release latches allow you effortless monitor installation and removal.

Keep Your Display Safe with Durable Construction

The high-quality steel mount ensures durability and stability; supporting TV weights up to 75 kg. Integrated cable management creates a clean and tidy appearance.



*The specifications and pictures are subject to change without prior notice.
*All trade names referenced are the registered trademarks of their respective owners.





Specifications:

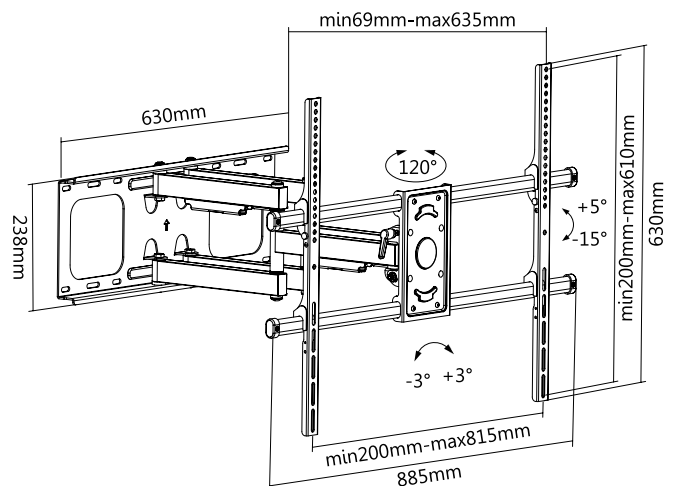
Screen Size	50"-90" flat/curved TVs
Weight Capacity	75 kg
VESA Plate Compatible	200x200, 300x200, 300x300, 400x200, 400x300, 400x400, 600x400, 800x400, 800x600 mm
Tilt	-15°-5°
Swivel	-60°-60°
Screen Level	-3°-3°
Wall Clearance	6.9-63.5 cm
Bubble Level	Hook-on bubble level
Material	Steel
Color	Black
Dimensions	63.5x88.5x63 cm

Package Contents:

- » 1x TV Wall Mount
- » 1x Screw Package
- » 1x User Manual

Package Information:

- » Packing Dimension: mm
- » Packing Weight: kg
- » Carton Dimension: mm
- » Carton Q'ty: pcs
- » Carton Weight: kg



*The specifications and pictures are subject to change without prior notice.
 *All trade names referenced are the registered trademarks of their respective owners.



BP0151



4 052792 064186

Made in China