

300Mbps Wireless N 4G LTE Router

Model: MB110-4G



// Highlights



300 Mbps
Wi-Fi Speed†



Connect up to 32
Devices†



SIM Card
Plug and Play



4G(TDD&FDD)
/3G Compatible



// Superfast 4G LTE Speed for Reliable Wi-Fi

Working as a 4G router, the MB110-4G uses 4G LTE technology to achieve super fast speeds up to 150 Mbps download and 50 Mbps upload. It can also share a Wi-Fi network with maximum speed of 300 Mbps on 2.4 GHz for gaming, streaming, and more.



Remote Areas



On Vacation



Business Meetings

Ideal Use Places

// Features



Design for Maximum Network Coverage

Advanced LTE antennas make efficient and stable connections to every device. Power Amplifier and Low Noise Amplifier boost sending and receiving capabilities, creating a wide-coverage Wi-Fi network for your home.



Supports Up to 32 Devices

Easily share a 3G/4G connection. Connect up to 32 wireless devices with ease while ensuring dependable network stability.



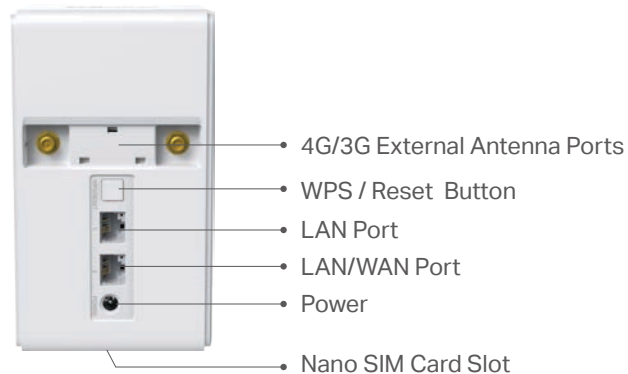
Available WAN Connection Backup

With a fully functional WAN/LAN port, MB110-4G can work as a router which is compatible with cable, fiber, and DSL modems.

// Specifications

Hardware

- **LTE:**
Download Speed 150 Mbps +Upload Speed 50 Mbps[†]
- **Ports:**
1× 10/100 Mbps LAN/WAN +1× 10/100 Mbps LAN
2×4G/3G External Antenna Ports
- **Antennas:**
2 Internal 4G LTE Antennas
- **Dimensions:**
3.5×3.5×5.9 in (90×92×150.5 mm)
- **External Power Supply:**
9V/0.85A



Wireless

- **Network Type (EU):**
4G: FDD-LTE B1/B3/B5/B7/B8/B20/B28
(2100/1800/850/2600/900/800/700 MHz)
TDD-LTE B38/B40/B41 (2600/2300/2500 MHz)
3G: HSPA+/HSPA/UMTS B1/B5/B8 (2100/850/900 MHz)
- **Network Type (UN):**
4G: FDD-LTE B1/B2/B3/B4/B5/B7/B8/B28/B66
(2100/1900/1800/1700/850/2600/900/700/1700 MHz)
TDD-LTE B40 (2300MHz)
3G: HSPA+/HSPA/UMTS B1/B2/B4/B5/B8(2100/1900/1700/850/900 MHz)
- **Wireless Standards:** IEEE 802.11b/g/n
- **Frequency:** 2.4 GHz
- **Signal Rate:** 300 Mbps
- **EIRP (CE):** < 20 dBm (2.4 GHz)
- **Reception Sensitivity:**
11g 54M: -74dBm
11N HT20 MCS7: -73dBm
11N HT40 MCS7: -70dBm
- **Wireless Function:**
Enable/Disable Wireless Radio, Wireless Schedule, WMM, Wireless Statistics
- **Wireless Security:**
64/128-bit WEP, WPA/WPA2, WPA-PSK/WPA2-PSK encryptions

// Specifications

Software

- **Operating Modes:**
3G/4G Router, Wireless Router
- **WAN Type:**
Dynamic IP/Static IP/PPPoE/PPTP(Dual Access)/L2TP(Dual Access)
- **DHCP:**
Server, DHCP Client List, Address Reservation
- **Port Forwarding:**
ALG, Virtual Server, Port Triggering, UPnP, DMZ
- **Dynamic DNS:**
DynDns, NO-IP
- **Security:**
IPv4 SPI Firewall, IP and MAC Address Binding
- **Protocols:**
IPv4, IPv6
- **Management:**
Local Management, Remote Management
- **Administration:**
Upgrade Firmware, Factory Default, System Log, Diagnostic Tools
- **Guest Network:**
2.4 GHz Guest Network

Others

- **Certification:**
CE, RoHS
- **Requirements:**
Internet Explorer 11+, Firefox 12.0+, Chrome 20.0+, Safari 4.0+, or other JavaScript-enabled browser
Nano SIM Card
- **Environment:**
Operating Temperature: 0°C~40°C (32°F ~104°F)
- **Package Contents**
300 Mbps Wireless N 4G LTE Router MB110-4G
Power Adapter
RJ45 Ethernet Cable
Quick Installation Guide

© 2022 MERCUSYS

†Maximum wireless signal rates are the physical rates derived from IEEE Standard 802.11 specifications. Actual wireless data throughput and wireless coverage, and quantity of connected devices are not guaranteed and will vary as a result of network conditions, client limitations, and environmental factors, including building materials, obstacles, volume and density of traffic, and client location.

‡Maximum 4G download speeds depend on external factors such as the local 4G network coverage, data plan, real-time network capacity, client limitations, and environmental factors.