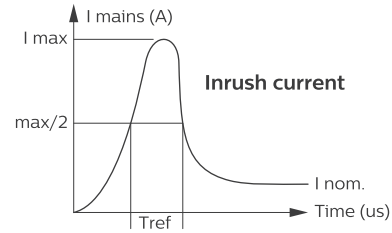


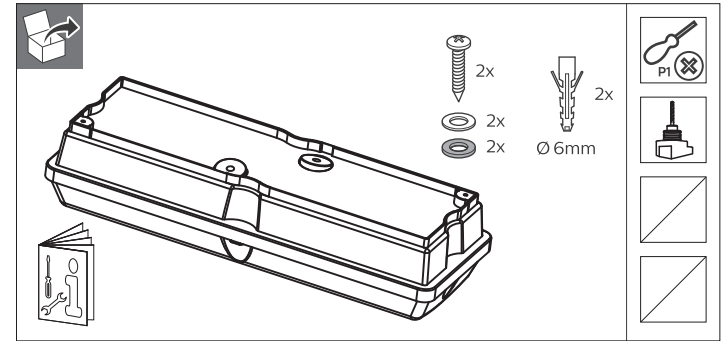
LED6S		LED6S	
(PSU) Electrical characteristics		(MDU) Electrical characteristics	
Imax(A)	5	Imax(A)	9.6
Tref(µs)	250	Tref(µs)	80
MCB	luminaires Max.	MCB	luminaires Max.
B-10 A	50	B-10 A	88
B-13 A	64	B-13 A	113
B-16 A	79	B-16 A	140
C-10 A	82	C-10 A	146
C-13 A	106	C-13 A	189
C-16 A	134	C-16 A	238



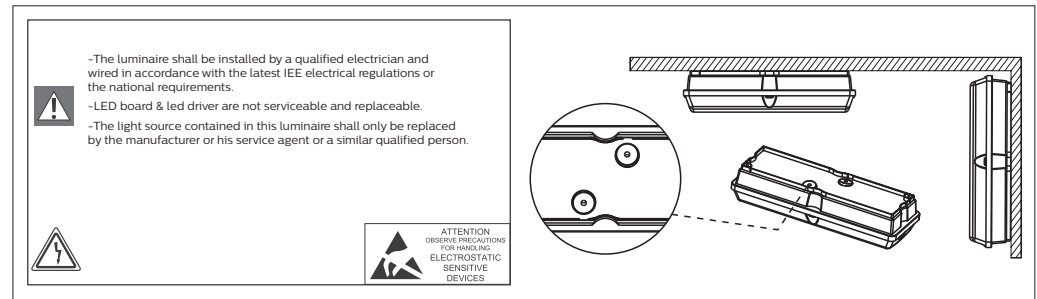
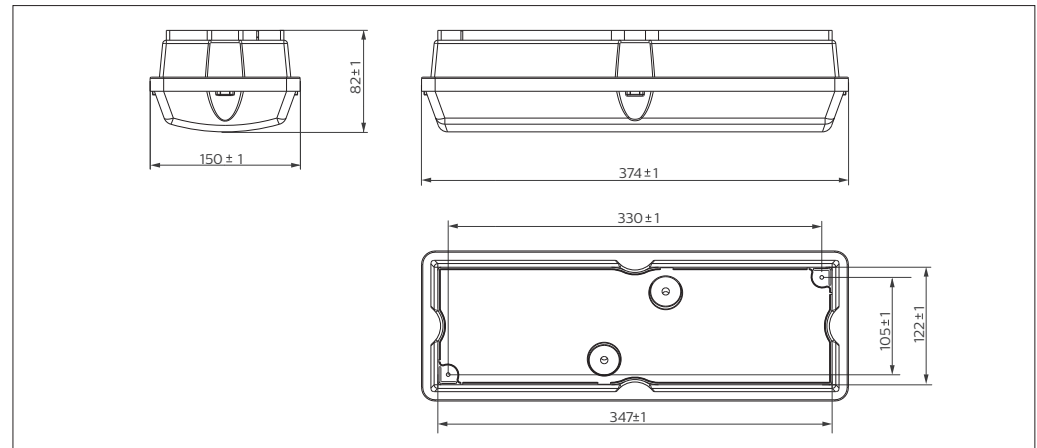
PHILIPS

Ledinaire Square Wall-Mounted

WL055V



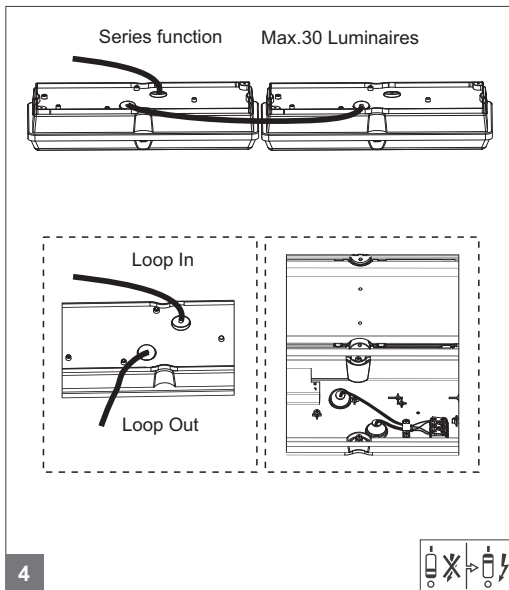
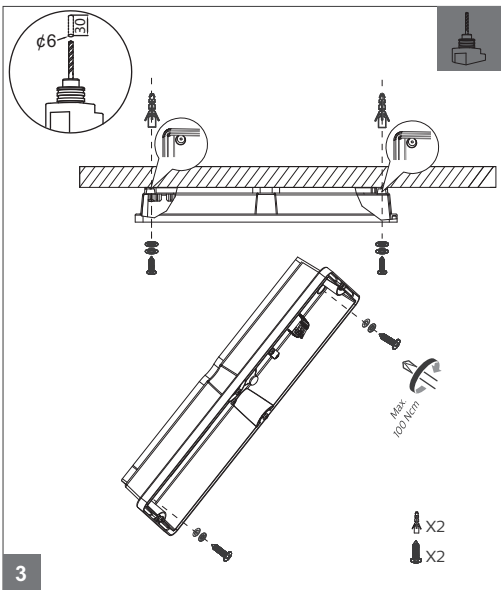
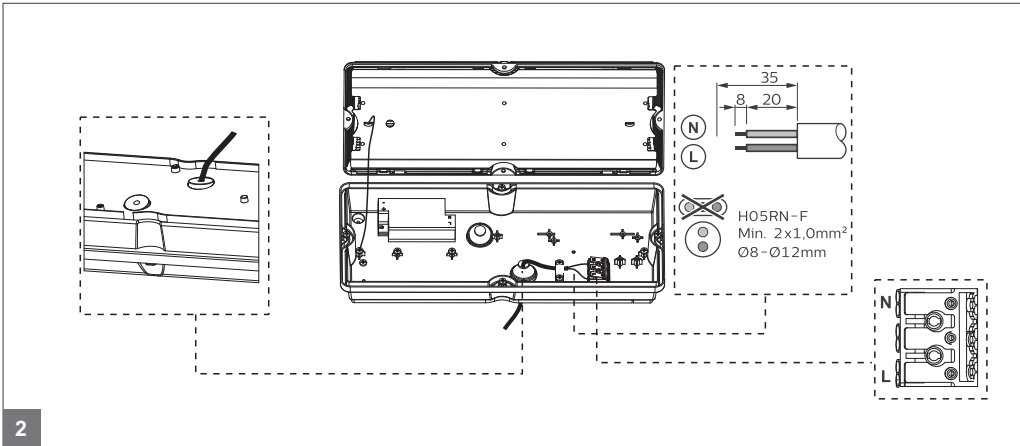
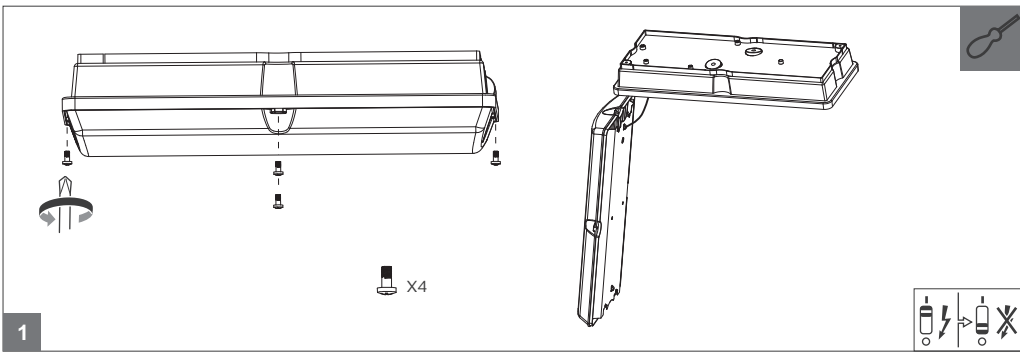
	System lumen	CCT	Driver	P(w)	
WL055V LED6S/830 PSU WH	600lm	3000K	PSU	6	0.7
WL055V LED6S/840 PSU WH	630lm	4000K	PSU	6	0.7
WL055V LED6S/830 PSU MDU WH	600lm	3000K	MDU	6	0.75
WL055V LED6S/840 PSU MDU WH	630lm	4000K	MDU	6	0.75



© 2019 Signify Holding.
 All rights reserved. This document contains information relating to the product portfolio of Signify which information may be subject to change. No representation or warranty as to the accuracy or completeness of the information included herein is given and any liability for any action in reliance thereon is disclaimed. The information presented in this document is not intended as any commercial offer and does not form part of any quotation or contract. Philips and the Philips Shield Emblem are registered trademarks of Koninklijke Philips N.V.. All other trademarks are owned by Signify Holding or their respective owners.

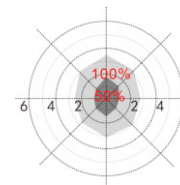
Signify Holding,
 The Netherlands



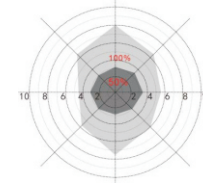


Motion Sensor (WL055V LED6S MDU)

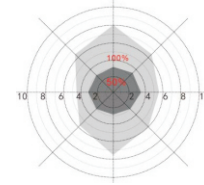
Ceiling mounted height: 3m
Sensitivity: 100%/50%



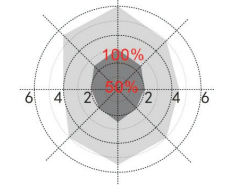
Normal moving (Speed:1m/s)



Slow moving (Speed:0.3m/s)

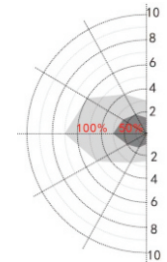


Normal moving (Speed:1m/s)

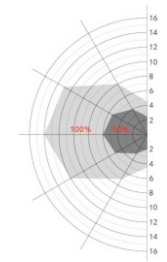


Slow moving (Speed:0.3m/s)

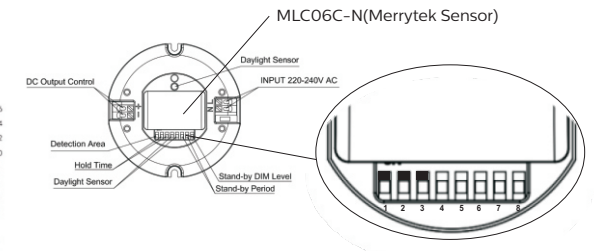
Wall mounting:
Horizon mounted height: 2m
Sensitivity: 100%/50%



Normal moving (Speed:1m/s)



Slow moving (Speed:0.3m/s)



By Selecting the combination on the DIP Switch, sensor data can be precisely set for each specific application
Factory Setting of Sensor:100%/5S/Disable/+∞ /20%

	1	
I	ON	100%
II	-	50%

Detection area (default 100%)
Detection area can be reduced by selecting the combination on the DIP switches to fit precisely each application.

	6	7	
I	ON	ON	0 S
II	ON	-	1 min
III	-	ON	10 min
IV	-	-	+∞

Stand-by Period (+∞)
Refers to the time period of the luminaire remains at a low light level before it completely switches off.when set to "∞" mode,the luminaire will not switch off and keep low light until motion is detected.

	2	3	
I	ON	ON	5 S
II	ON	-	1 min
III	-	ON	5 min
IV	-	-	10 min

Hold time (default 5 s)
Refers to the time period the luminaire remains at 100% change overwhere luminaire after no motion detected.

	8	
I	ON	20%

Stand-by DIM Level (default 20%)
Refers to the low light level you want to have after hold time in the long absence of people.

	4	5	
I	ON	ON	5 Lux
II	ON	-	25 Lux
III	-	ON	50 Lux
IV	-	-	Disable*

Daylight sensor (Disable)
The sensor can be set to only allow the luminaire to change overwhere luminaire below a defined ambient brightness threshold.

*Disable means the daylight sensor does not work. The sensor will turn on light once motion is detected regardless of ambient light level.